

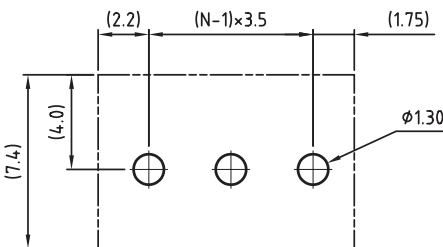
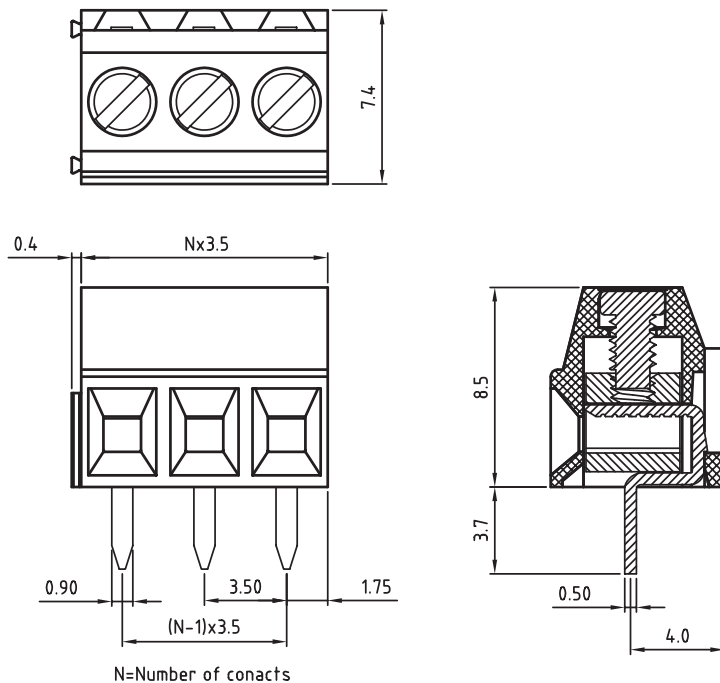
1

2

3

4

5



PCB LAYOUT - COMPONENT VIEW

## TECHNICAL CHARACTERISTICS

MATERIAL  
 INSULATOR: PA 66  
 FLAMABILITY RATING: UL94-V0  
 COLOR: GREEN  
 METAL HOUSING: BRASS (CuZn)  
 TERMINAL SCREW SLOT TYPE: " "  
 CONTACT: BRASS  
 SOLDER TAIL PLATING: TIN

ENVIRONMENTAL  
 OPERATING TEMPERATURE: -40 UP TO 105°C  
 COMPLIANCE: LEAD FREE AND ROHS

ELECTRICAL  
 CURRENT RATING: 10A  
 WORKING VOLTAGE: 300VAC  
 WITHSTANDING VOLTAGE: 1.6KV  
 CONTACT RESISTANCE: 20 mOhm max

STANDARD  
 CERTIFIED E315414 / MODEL NUMBER 2141

MECHANICAL  
 SOLID WIRE: 24-16AWG / 0.2-1.5MM<sup>2</sup>  
 STRANDED WIRE: 24-16AWG / 0.2-1.5MM<sup>2</sup>  
 TORQUE: 1.7Lb-In / 0.20Nm

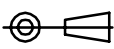

WIRE STRIPE LENGTH: 5-6MM  
 SCREW: M2.0  
 PITCH: 3.5MM

SOLDERING: WAVE PROCESS ONLY

PACKAGING: BOX

SERIE 2141

RoHS Compliant

G				PROJECTION: 	GENERAL TOLERANCE .X = +/- 0.2 .XX = +/- 0.15		DESCRIPTION: SERIE 2141 - 3.5MM HORIZONTAL ENTRY MODULAR WITH RISING CAGE CLAMP - 1.5MM <sup>2</sup> WIRES WR-TBL	SIZE <b>A4</b>
F								
E								
D								
C	07-JUL-11	COLOR	GG	APPROVAL: RJ	UNIT: MM	WERI PART NO: 691 214 110 0xx		
B	12-OCT-09	STANDARD	JP		SCALE:			
A	30-OCT-08	PDF	JP		SHEET: 1/1			
REV	DATE	FILE	BY		DRAW: MARVIN			