



22MM PLASTIC ROUND ACTUATOR: ILLUMINATED
 PUSHBUTTON WITH RAISED BUTTON ILLUMINABLE
 INCL. HOLDER FOR 3 ELEMENTS WITH HOLDER BLUE

Actuator / signaling device:	
Design of the operating mechanism	Illuminated pushbutton
Type of unlocking device	without
Material / of the activation element	plastic
Shape / of the activation element	Raised pushbutton
Number of switching positions	2
Product component / front ring	Yes
Material / of the front ring	plastic
Color / of the front ring	black
Design of front ring	Standard
Product function / EMERGENCY STOP function	No

Holder:	
Material / of holder	Plastic

General technical details:	
Resistance against shock <ul style="list-style-type: none"> • for devices with incandescent lamp / according to IEC 60068-2-27 • for devices without incandescent lamp / according to IEC 60068-2-27 	<= 30g <= 50g
Resistance against vibration / according to IEC 60068-2-6	20 ... 200 Hz: 5g

Operating cycles / maximum	1/h	1,000
Mechanical operating cycles as operating time / typical		3,000,000
Item designation		
• according to DIN EN 61346-2		S
• according to DIN 40719 extendable after IEC 204-2 / according to IEC 750		S
Tightening torque / of the screws in the bracket / maximum	N-m	1
Ambient temperature		
• during operating	°C	-25 ... +70
• during storage	°C	-40 ... +80
Protection class IP		IP66
climatic class / during the operating phase / according to EN 60721		3K6
Type of mounting		front mounting
Shape / of the installation hole		round
Installation width	mm	29.5
Mounting diameter	mm	22
Mounting height	mm	12
Mounting depth	mm	29

Certificates/approvals:

General Product Approval



Test Certificates

[Special Test Certificate](#)

Shipping Approval



other

[Confirmation](#)

[other](#)



Further information:

Information- and Downloadcenter (Catalogs, Brochures,...)

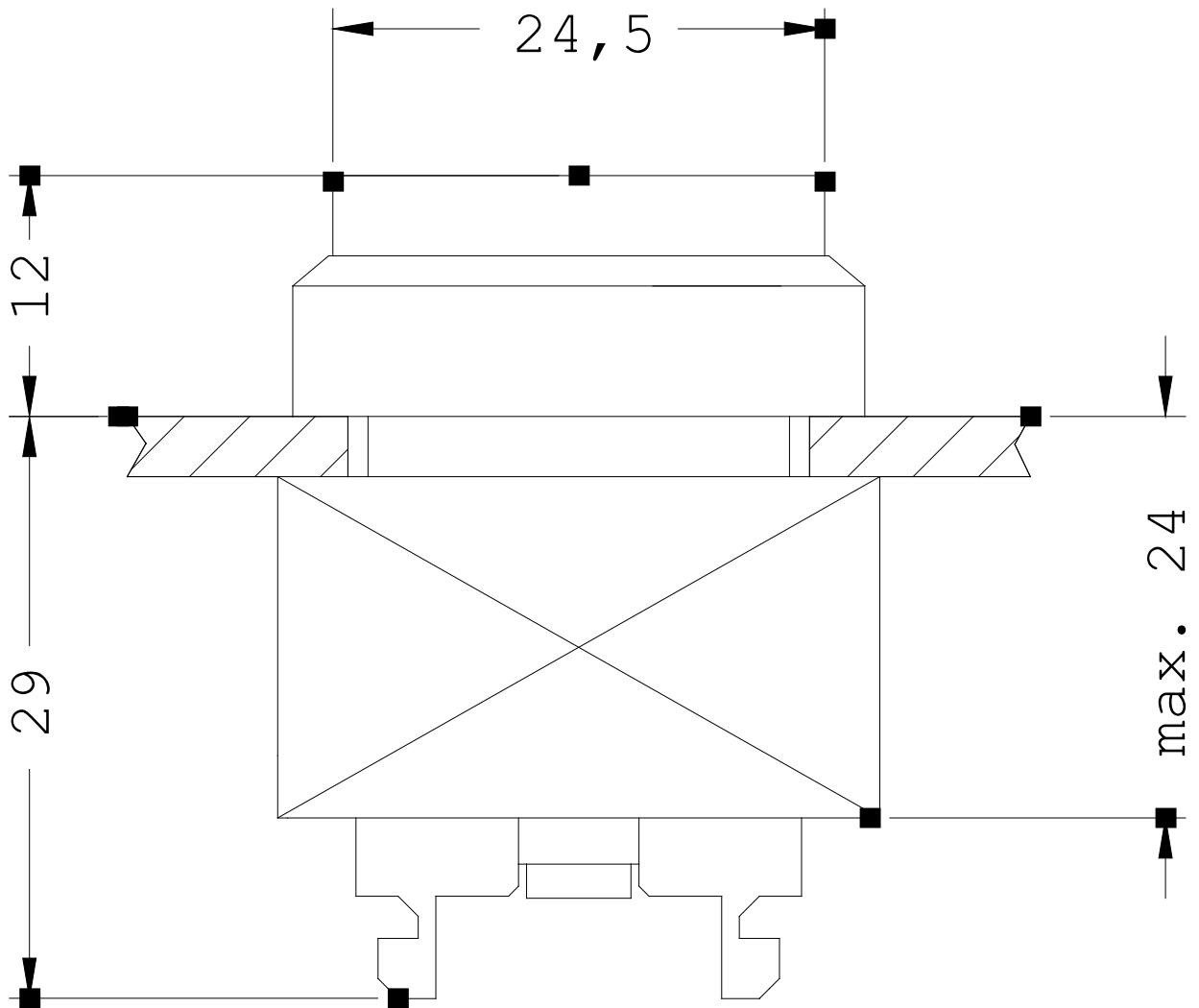
<http://www.siemens.com/industrial-controls/catalogs>

Industry Mall (Online ordering system)

<http://www.siemens.com/industrial-controls/mall>

Cax online generator:

<http://www.siemens.com/cax>



last change:

Jul 17, 2012