

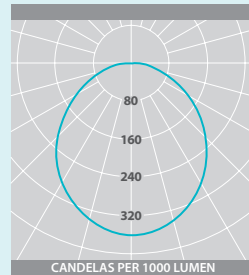
SPECIFICATION

- Spun aluminium body finished full polyester powder coated white as standard (internal and external)
- Opal or high efficiency satin sparkle effect polycarbonate cover
- Optional 4W LED halo ring (RGB or white)
- 60,000 hour life expectancy
- Emergency, AutoTest and Scanlight versions using integral 1.5W high power LED
- Main LED source has LED failure protection
- 4000K

IP40 

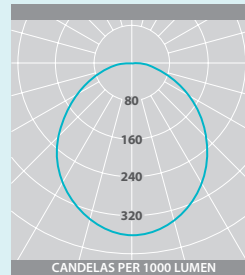
PHOTOMETRIC GUIDE

SATIN SPARKLE



Luminaire Lumen Output
20W - 1700lm

OPAL



Luminaire Lumen Output
20W - 1250lm

- Light output equivalent to typical 38W 2D fluorescent types



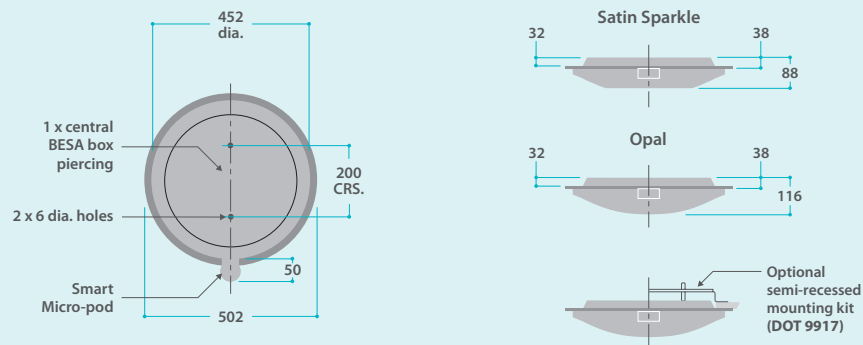
SATIN SPARKLE



OPAL

	Ra	°K	L70/B10	P/U	%	R/Rx	PF	LL/W	
SATIN SPARKLE	80+	4000	60K	P	>80	R	>0.95	68	P - Protected circuit (an LED failure will not affect others in the group)
OPAL	80+	4000	60K	P	>80	R	>0.95	50	R - Replaceable LED lamp assembly

DIMENSIONS



RANGE

LAMP	STANDARD VERSION	APPROX. kg	WHITE LED HALO VERSION	RGB LED HALO VERSION	APPROX. kg
SATIN SPARKLE					
20W LED	DOT 14794L	2.0	DOT 14795L	DOT 14796L	2.7
20W LED SMART	DOT 14803D	2.1	DOT 14804D	DOT 14805D	2.8
OPAL					
20W LED	DOT 14797L	2.0	DOT 14798L	DOT 14799L	2.7
20W LED SMART	DOT 14806D	2.1	DOT 14807D	DOT 14808D	2.8

Emergency Versions - prefix cat. no. with EDT e.g. EDT 14794L

AutoTest Versions - prefix cat. no. with TDT e.g. TDT 14794L

Scanlight AT Versions - prefix cat. no. with DDT e.g. DDT 14794L

Emergency, AutoTest and Scanlight AT versions add 0.3kg to weights listed