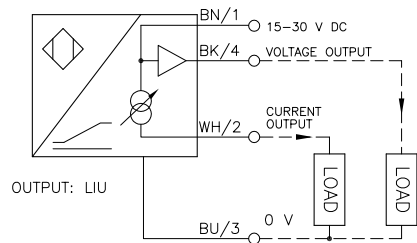
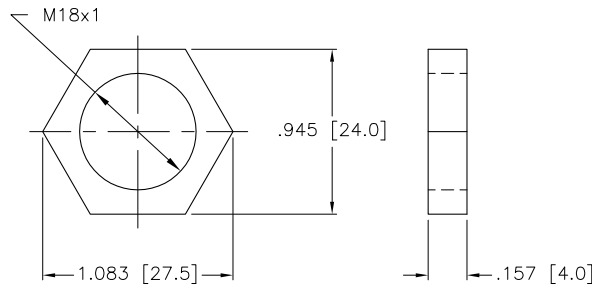


WIRING DIAGRAM

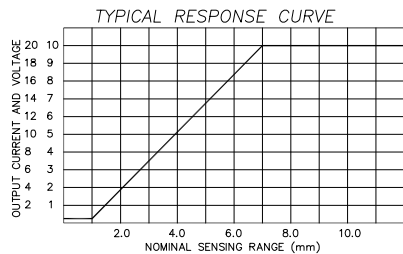
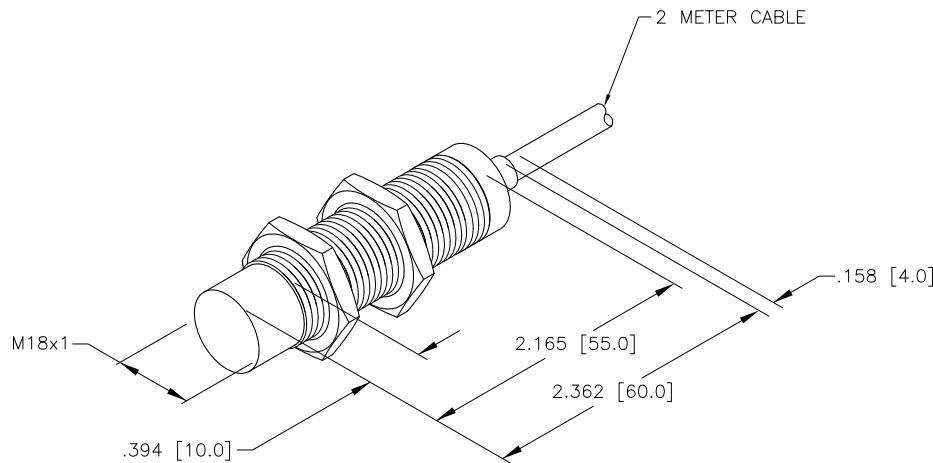


LOCKNUT LN-M18



SPECIFICATIONS

MEASURING RANGE [A...B]	1.0-7.0 mm
MIN. REPEAT ACCURACY	≤1%
MAX. RELATIVE TEMPERATURE DRIFT	≤ ±.06%/C°
OPERATING TEMPERATURE	-10°C to +70°C (-14°F to +158°F)
OPERATING VOLTAGE	15-30 VDC
RIPPLE	≤10%
NO-LOAD CURRENT	≤ 8 mA
RATED INSULATION VOLTAGE	≤ 0.5 kV
OUTPUT FUNCTION	4-WIRE, ANALOG
SHORT-CIRCUIT PROTECTED	YES
WIRE-BREAK PROTECTION	INCORPORATED
REVERSE POLARITY PROTECTION	INCORPORATED
VOLTAGE OUTPUT	0-10 V
CURRENT OUTPUT	0-20 mA
LINEARITY TOLERANCE	≤ 5% OF FINAL VALUE
VOLTAGE OUTPUT LOAD RESISTANCE	≥ 4.7 kΩ
CURRENT OUTPUT LOAD RESISTOR	≤ 0.4 kΩ
READING RATE FREQUENCY	200 Hz
DEGREE OF PROTECTION	IP 67
HOUSING MATERIAL	BRASS, CHROME PLATED
ACTIVE FACE	PLASTIC, PA12-GF30
CABLE	∅5.2, PVC, 2 METERS



RELATED DOCUMENTS 1. 2. 3. 4.	3RD ANGLE PROJECTION 	THIS DRAWING IS PROPERTY OF TURCK INC. USE OF THIS DOCUMENT WITHOUT WRITTEN PERMISSION IS PROHIBITED.		TURCK INC High Technology Sensors and Automation Controls 3000 CAMPUS DRIVE MINNEAPOLIS, MN 55441 1-800-544-7769 (763) 553-7300 (763) 553-0708 fax turck.com	
	MATERIAL	DRFT RDS	DATE 08/01/02	DESCRIPTION Ni10-M18-LiU	
FINISH	ALL DIMENSIONS DISPLAYED ON THIS DRAWING ARE FOR REFERENCE ONLY	DSGN	SCALE NONE	IDENTIFICATION NO. M1535540	
CONTACT TURCK FOR MORE INFORMATION		UNIT OF MEASUREMENT INCH [MILLIMETER]		REV A	
DO NOT SCALE THIS DRAWING		FILE: M1535540		SHEET 1 OF 1	

A	DRAWING RELEASE	RDS	08/05/02	
REV	DESCRIPTION	BY	DATE	ECO NO.