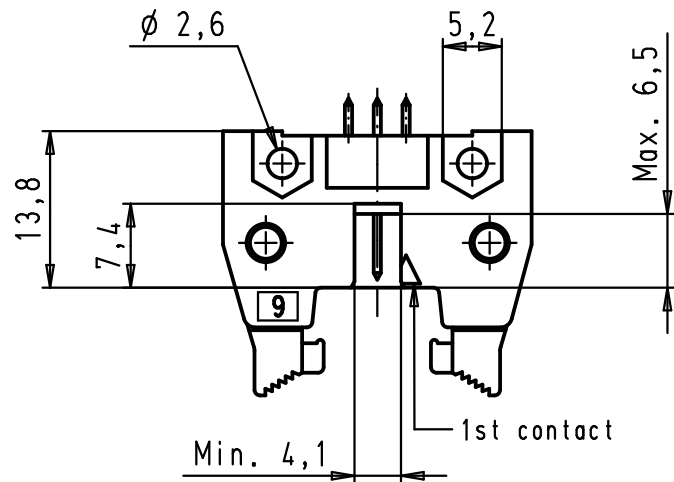
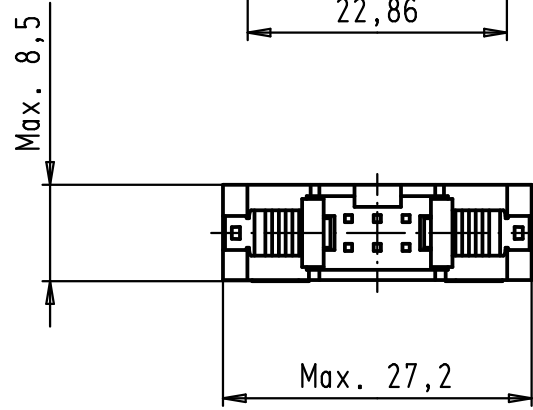
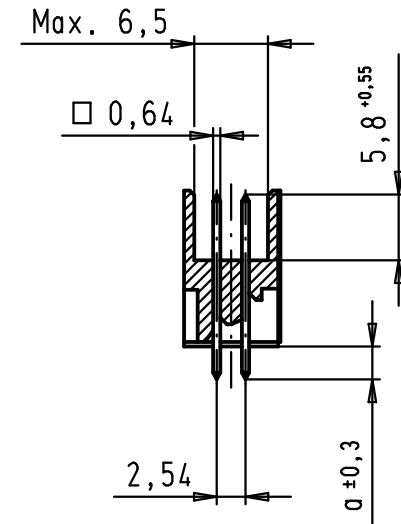
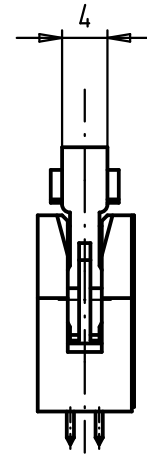
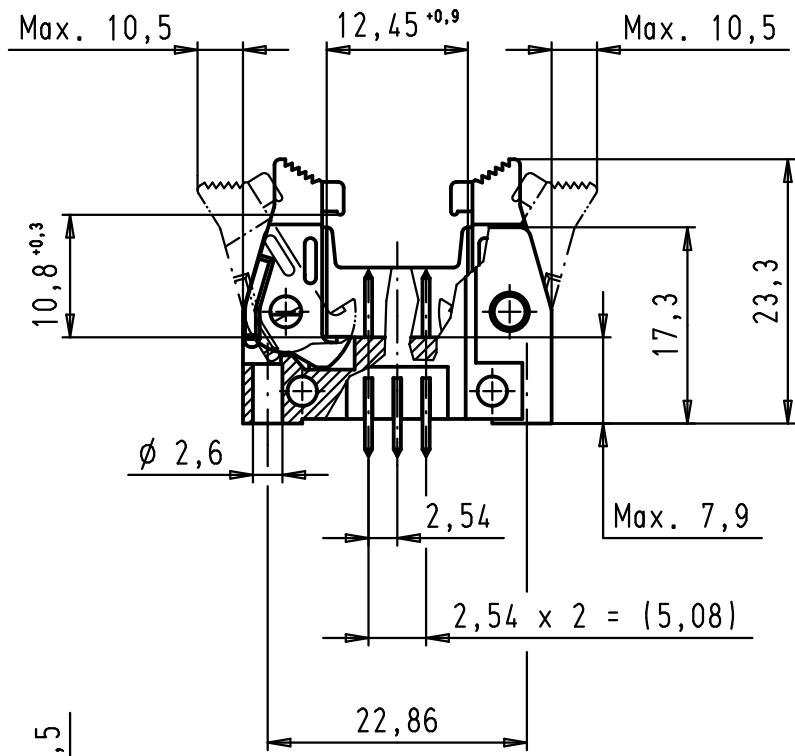
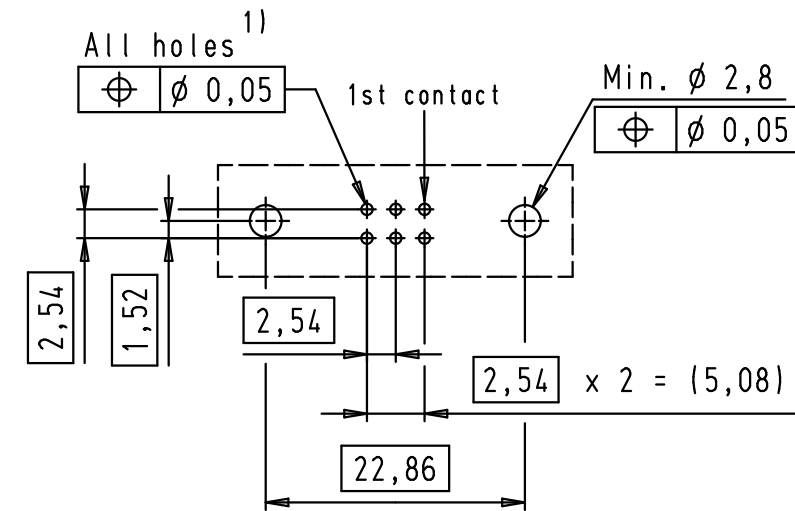


Alle Rechte vorbehalten/ All rights reserved

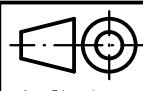



PCB layout, component side



1) Solder pins for PCB connections
 $\phi 1 \pm 0,1$ according to IEC 60 326-3

09 19 506 7912	3	4,5
09 19 506 6912	2	4,5
09 19 506 5912	0,76 $\mu\text{m Au}$	4,5
09 19 506 7914	3	2,9
09 19 506 6914	2	2,9
09 19 506 5914	0,76 $\mu\text{m Au}$	2,9
Part number	Performance level	a

			Det.	Name	 All Dim. in mm Orig. Size DIN A 3	SEK 19 Male Connector Standard 06 poles High temperature with straight solder pins and short locking levers	Maßstab/ Scale	
			Detail.	25/04/02		CV		1,5:1
			Insp.					
			Stand.					
34900	29/01/08	LP	HARTING EURL F-95972 Paris				TB 09 19 506 X91X	Blatt/ Page
29778	25/04/02	CV	Mod.	Det.	Name			Sub.