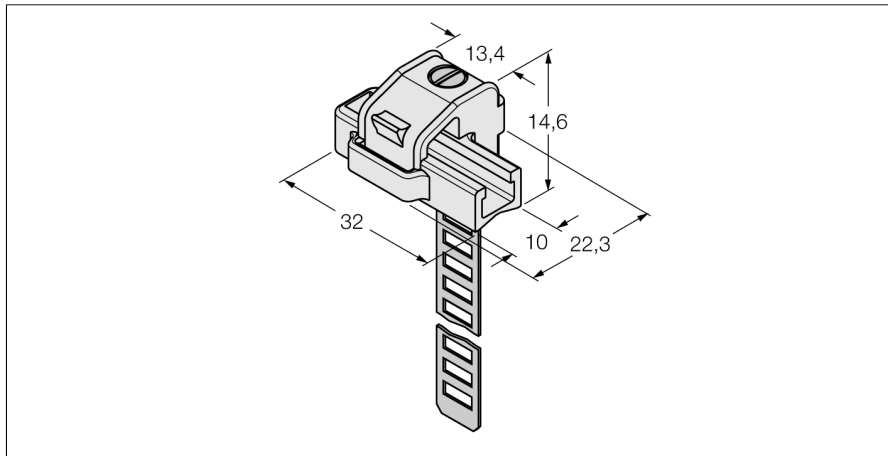


**Mounting accessories
for cylinders, tie-rod cylinders
KLRC-UNT4**



- Accessories for mounting on cylinders
- Cylinder diameter: 130...250 mm
- Material: PA 6I/6T / nickel silver
- Fire-hazard classification acc. to UL94 - V2

General description

The sensor programme comprises inductive, magnetic-inductive, capacitive, photoelectric and ultrasonic sensors as well as pressure and flow controls.

A broad range of practice-oriented accessories ensure optimal adaption to your system.

Type	KLRC-UNT4
Ident-No.	6970629
Design	accessories for rectangular types
Dimensions	32x 22.3x 14.6 mm
Housing material	Metal/plastic, PA 6I/6T / nickel silver
Fixing clamp for correspondent cylinder diameter	130...250 mm