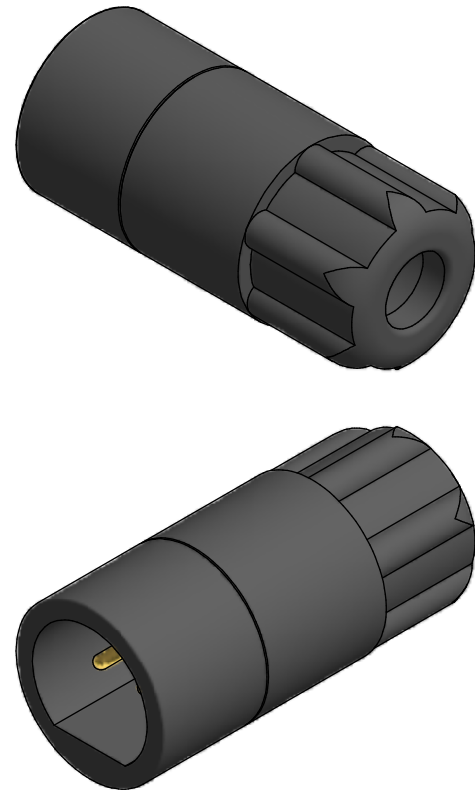
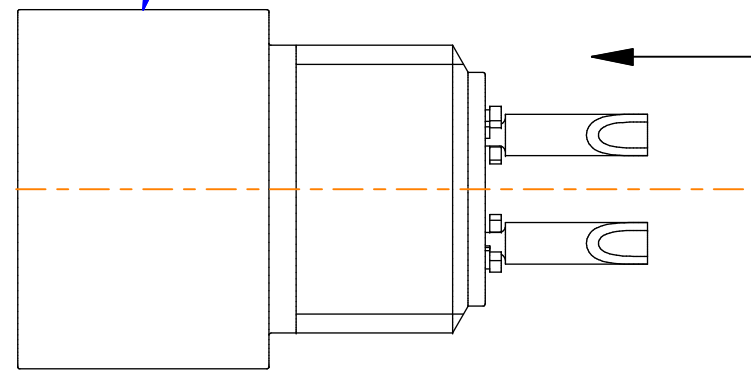


# SM RANGE - DESIGN CHANGE PROPOSAL

## EXISTING DESIGN

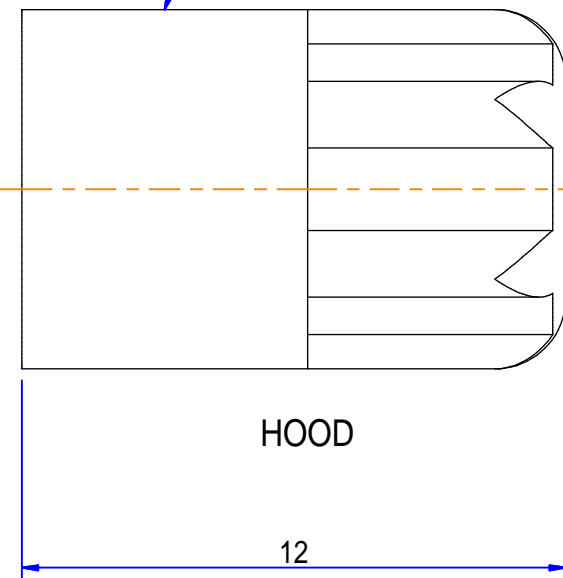


PART NUMBER: SM2P (or SM2S)  
 MATERIAL: PBT 4G-30-V0 BLACK  
 (HISTORICALLY WAS DAP 5553)

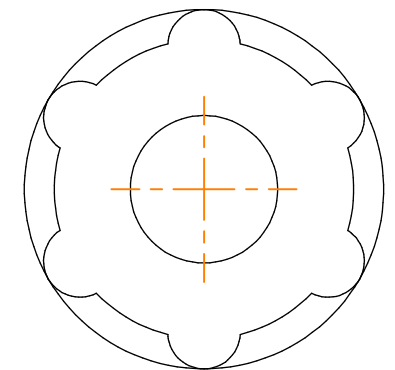


CONNECTOR

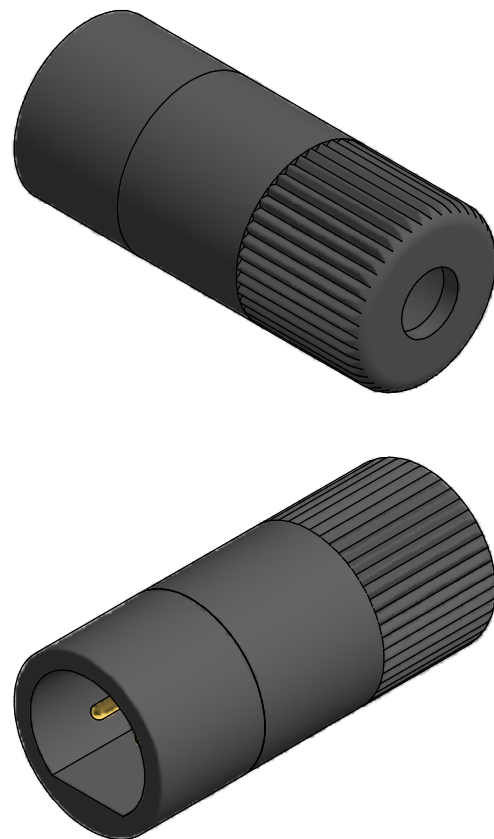
PART NUMBER: SM21659  
 MATERIAL: DAP 5553 BLACK



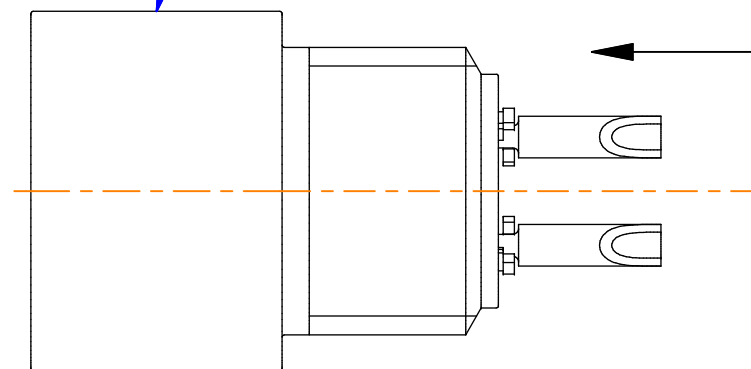
HOOD



## PROPOSED NEW DESIGN



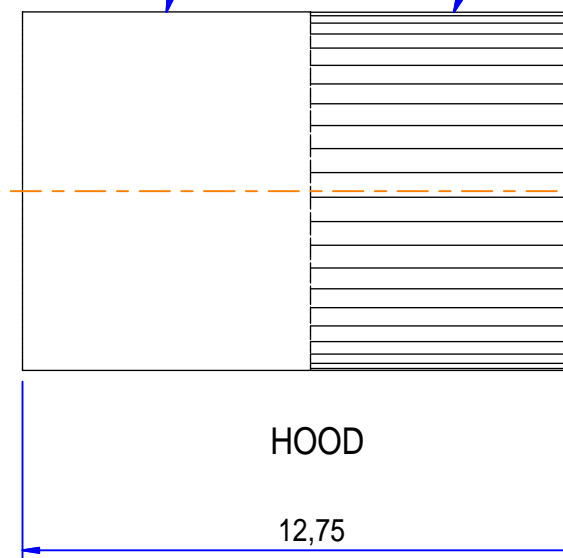
PART NUMBER: SM2P (or SM2S)  
 MATERIAL: PBT 4G-30-V0 BLACK  
 (NO CHANGES)



CONNECTOR

PART NUMBER: SM21659  
 MATERIAL: PBT 4G-30-V0 BLACK

DIFERENT GRIP PATTERN



HOOD

