







RC-ELEMENT, AC 48...127 V,  
SURGE SUPPRESSOR,  
FOR MOUNTING ONTO CONTACTORS SIZE S2 AND S3


**Genel teknik veriler:**

<b>product brand name</b>	SIRIUS
<b>Product designation</b>	surge suppressor
<b>Design of the surge suppressor</b>	with RC elements

**Kontrol devresi:**

<b>Type of voltage / of the control supply voltage</b>		AC/DC
<b>Control supply voltage frequency</b>		
• 1 / Rated value	Hz	50
• 2 / Rated value	Hz	60
<b>Control supply voltage / 1</b>		
• for DC		
• Initial rated value	V	70
• Final rated value	V	150
• with AC / at 50 Hz		
• Initial rated value	V	48
• Final rated value	V	127
• with AC / at 60 Hz		
• Final rated value	V	127
• Initial rated value	V	48

General Product Approval			Functional Safety / Safety of Machinery	Declaration of Conformity	Test Certificates
			<a href="#">Type Examination</a>		<a href="#">Special Test Certificate</a>
CSA		UL		EG-Konf.	

Shipping Approval					
					
ABS	BUREAU VERITAS	DNV	GL	LRS	PRS

Shipping Approval		other			
		<a href="#">Confirmation</a>	<a href="#">Declaration of Conformity</a>	<a href="#">other</a>	<a href="#">Environmental Confirmations</a>
RINA	RMRS				

### Diğer bilgiler:

Information- and Downloadcenter (Kataloglar, broşürler, ...)

<http://www.siemens.com/industrial-controls/catalogs>

Industry Mall (Çevrimiçi sipariş sistemi)

<http://www.siemens.com/industrial-controls/mall>

CAX-Online-Generator

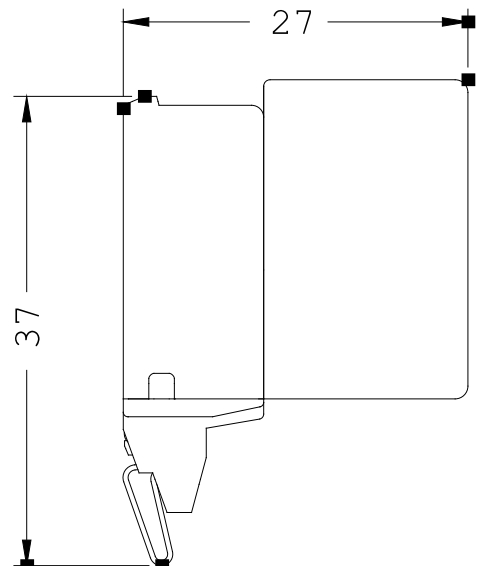
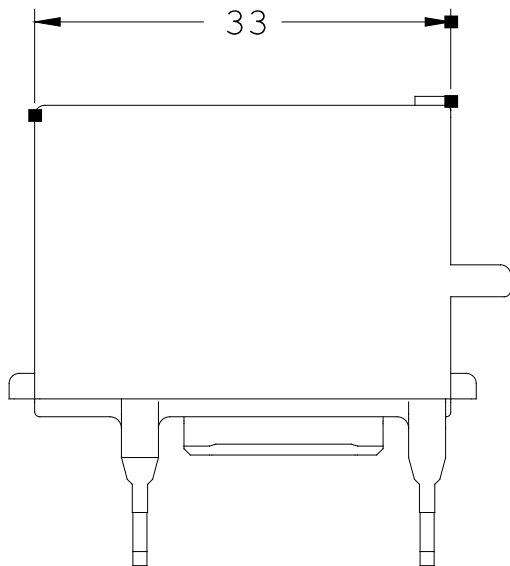
<http://www.siemens.com/cax>

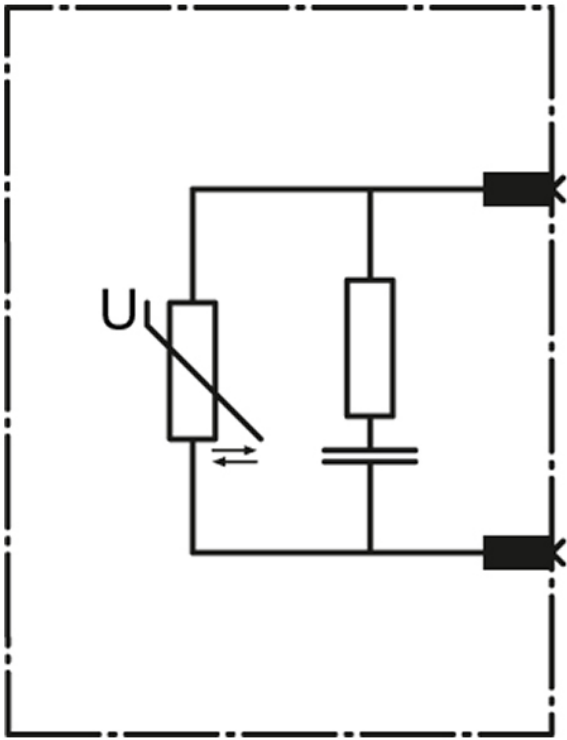
Service&Support (Kılavuzlar, işletme talimatları, sertifikalar, karakteristikler, sık sorulanlar...)

<http://support.automation.siemens.com/WW/view/en/3RT1936-1CC00/all>

Resim veri tabanı (ürün fotoğrafları, 2 boyutlu ebat çizimleri, 3 boyutlu modeller, cihaz devre şemaları, ...)

[http://www.automation.siemens.com/bilddb/cax\\_en.aspx?mlfb=3RT1936-1CC00](http://www.automation.siemens.com/bilddb/cax_en.aspx?mlfb=3RT1936-1CC00)





son deęişiklik:

Nov 4, 2014