

Datasheet

RS Pro Universal Terminal, ES11 series, 690 V, 250 A (IEC), 255 A (UL/CSA)

RS Stock No: **876-2438**



Product Details

RS Pro universal terminal allows you to manage multiple load connections and a wide range of wire sizes. The power distribution block is suitable for applications in industry including machinery, material handling, building/installation and power conditioning. It operates at a voltage rating of 690 V and current rating of 250 A (IEC), 255 A (UL/CSA). The universal terminal meets IEC 60947-7-1 standards.

Features and Benefits

- Suitable for DIN rail or direct mounting
- Space saving designs
- Meets IEC 60947-7-1 standards



ENGLISH

Specifications:

Current Rating	255 A (CSA), 250 A (IEC), 255 A (UL)
Maximum Operating Temperature	+120°C
Minimum Operating Temperature	-40°C
Voltage Rating	690 V
Wire Size	14 to 6 AWG
Dimensions	49 x 50 x 96 mm
Material	Nylon 66 Body, PC Cover, Nickel Plated Brass Insert, Zinc Plated Steel Screws
Standards Met	IEC 60947-7-1, UL, CSA

ES11-80 RS Stock Number: 876-2431

80A IEC 60947-7-1

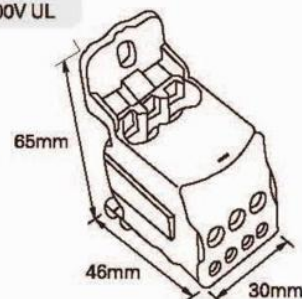
Mouldar: Single-strand line, can be extended jumper, can be double neutral line



Metric	mm ²			l(N.m)
	6...16	x1		3.5
	2.5...6	x4		1.2
	2.5...16	x2		3.5

U.S.	AMG			Torque
	16...4	x1		19.5
	16...8	x4		10.6
	16...4	x2		19.5

- I=80 A IEC
- I=85 A ULCSA
- low KA ms b:0
- IPk KA: 22
- Ui: 690V IEC
- Vir: 600V UL



Mounting Holes: 54mm

ES11-125 RS Stock Number: 876-2434

80A IEC 60947-7-1

Mouldar: Single-strand line, can be extended jumper, can be double neutral line

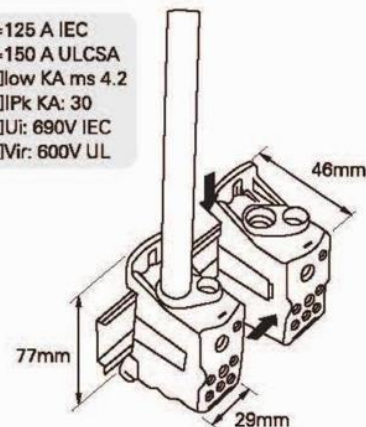


Metric	mm ²			l(N.m)
	10...35	x1		8.5
	6...16**	x1		3.5
	2.5...16	x6 x4		3.5

or universal jumper

U.S.	AMG			Torque
	8...1/0	x1		57
	14...4	x1		31
	14...4	x6		31

- I=125 A IEC
- I=150 A ULCSA
- low KA ms 4.2
- IPk KA: 30
- Ui: 690V IEC
- Vir: 600V UL



Mounting Holes: 54mm

ES11-160

160A IEC 60947-7-1

Mouldar: Single-strand line, can be extended jumper, can be double neutral line

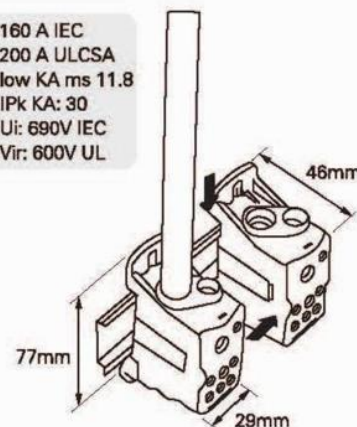


Metric	mm ²			l(N.m)
	10...70	x1		8.5
	6...16**	x1		3.5
	2.5...16	x6 x4		3.5

or universal jumper

U.S.	AMG			Torque
	8...3/0	x1		75
	14...4	x1		31
	14...4	x6		31

- I=160 A IEC
- I=200 A ULCSA
- low KA ms 11.8
- IPk KA: 30
- Ui: 690V IEC
- Vir: 600V UL



Mounting Holes: 54mm

ES11-250 RS Stock Number: 876-2438

250A IEC 60947-7-1

Mouldar: Allows a variety of combinations, can be used unipolar, bipolar, three poles, four poles



Metric	mm²	mm²		I(N.m)
	35...120		x1	19
	6...35	6...25	x2	4.4
	2.5...16	2.5...16	x5	2.7
	2.5...10	2.5...10	x4	2.7
U.S.	AMG			Torque
	6...250 Kcmil		x1	221
	14...1		x2	39
	14...4		x5	24
	14...6		x4	24

- I=60 A IEC
- I=255 A ULCSA
- low KA ms 24.5
- IPk KA: 51
- Ui: 690V IEC
- Vir: 600V UL



Install Aperture: 85 x 29mm

ES11-400

400A IEC 60947-7-1

Mouldar: Allows a variety of combinations, can be used unipolar, bipolar, three poles, four poles



Metric	mm²	mm²		I(N.m)
	95...185		x1	25
	6...35	6...25	x2	4.4
	2.5...16	2.5...16	x5	2.7
	2.5...10	2.5...10	x4	2.7
U.S.	AMG			Torque
	3.0...400 Kcmil		x1	221
	14...1		x2	39
	14...4		x5	24
	14...6		x4	24

- I=400 A IEC
- I=335 A ULCSA
- low KA ms 24.5
- IPk KA: 51
- Ui: 690V IEC
- Vir: 600V UL



Install Aperture: 85 x 29mm

ES11-500 RS Stock Number: 876-2447

500A IEC 60947-7-1

Mouldar: Allows a variety of combinations, can be used unipolar, bipolar, three poles, four poles



Metric	mm²	mm²		I(N.m)
	4x15.5x0.8 ...8x24x1	4x15.5x0.8 ...8x24x1		10
	6...35	6...25	x2	4.4
	2.5...16	2.5...16	x5	2.7
	2.5...10	2.5...10	x4	2.7
U.S.	AMG			Torque
	4x15.5x0.8 ...8x24x1			88.5
	14...1		x2	39
	14...4		x5	24
	14...6		x4	24

- I=500 A IEC
- I=520 A ULCSA
- low KA ms 24.5
- IPk KA: 51
- Ui: 690V IEC
- Vir: 600V UL

TH	
	4 x 15.5 x 0.8
	4 x 15.5 x 0.8
	2 x 20 x 1
	3 x 20 x 1
	4 x 20 x 1
	5 x 20 x 1
	6 x 20 x 1
	2 x 24 x 1
	3 x 24 x 1
	4 x 24 x 1
	5 x 24 x 1
	6 x 24 x 1
	8 x 24 x 1



Install Aperture: 85 x 29mm