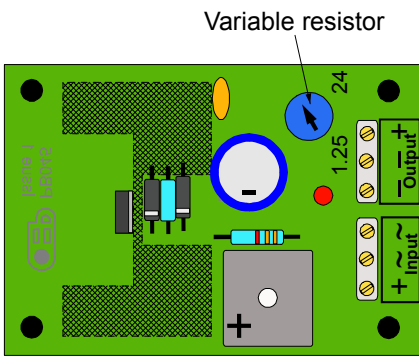


PS4009 DATA SHEET rev. 1



Description: 1.25 – 24VDC @ 1A regulated assembly



Electrical specification:

AC input: 3.5 – 27V*, 50Hz

DC input: 3.5 – 28VDC

Output: 1.25 – 24VDC @ 1A

Max. differential voltage: 6V (AC/DC input to DC output)

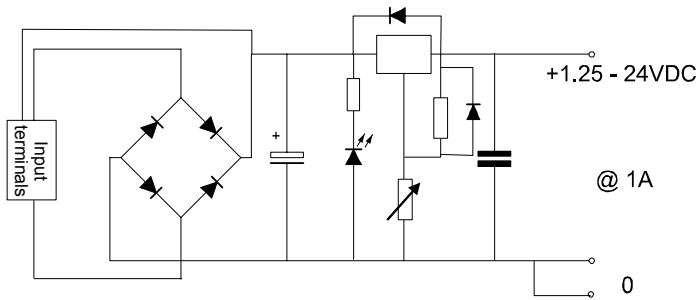
Max. ripple / noise: 2mVrms

Load regulation: $\pm 0.15\%$

* For loads below 600mA this upper limit can be increased to 30VAC

For DC input: connect input ground to either of the '-' terminals on the output.

The output voltage is set by turning the variable resistor shown on the left



Dimensions

Board	70x50mm
Fixing centres	60x40mm
Hole diameter	3.5mm
Height	55mm