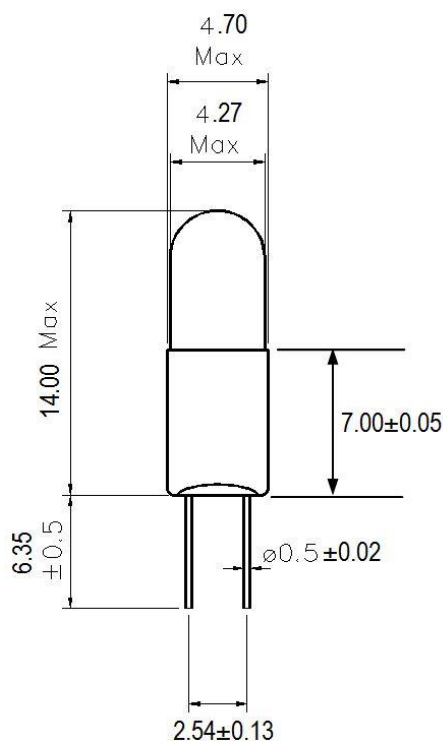


Part Number:

RS767BP

Type	Size	Rating	Description
Incandescent	T4	6V 60mA	T-1¼ Sub-miniature Bi-pin



Dimensions in millimetres

TEST VOLTS	CURRENT (mA)			LIGHT OUTPUT (Lm)			LIFE Hours
	Min.	Nom.	Max.	Min.	Nom.	Max.	
6	54	60	66	1.3	1.6	2.0	3,000

Notes:

- |   |                |                             |
|---|----------------|-----------------------------|
| 1 | Base type      | T-1¼ Bi-pin<br>White nylon  |
| 2 | Filament shape | C-2R                        |
| 3 | Lamp marking   | None                        |
| 4 | Environmental  | RoHS & REACH SVHC compliant |