

Datasheet

Stock No: 786-9143

RS Pro 6 W GU10 LED Reflector Lamp 75W equiv. 6000K, Day White, 50mm dia.



RoHS ✓

Key Features

- 5,5W LED lamp as 75W PAR16 replacement
- GU10 base
- 220-240V~ input voltage
- Non-dimmable
- Mercury free
- 2 years guarantee

Common Characteristics¹

Average lifetime: 25.000 h²

Switching cycles

(30s on, 30s off): 20.000 times

Casing Material: Plastic and alum.

Starting time max.: < 0.5s

Warm up time for 60% light: < 1s

Power factor: > 0.50

Mercury max.: 0.0mg

Length: 60mm

Diameter: 50mm

Weight: 46.7g



ENGLISH

Characteristics Range¹

Input power: 5,5W

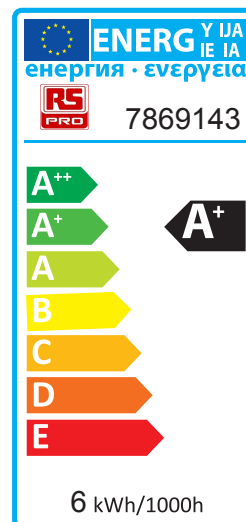
Luminous flux: Φ 550lm / Φ_{120° 450lm

RS Article No. Colour temperature

786-9130	3000K = Warm white
768-9134	4000K = Cool white
786-9143	6000K = Day white

Beam angle: 120 degree

CRI: ≥ 80

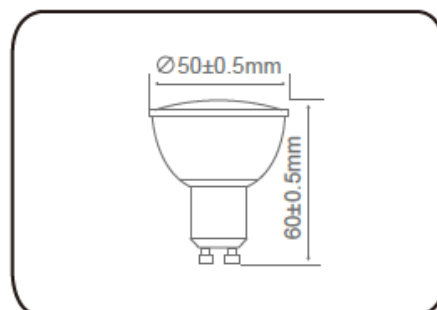


¹ Typical values.

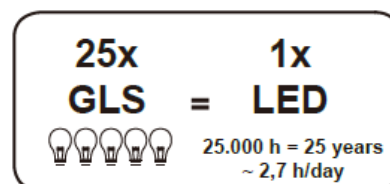
All the technical parameters apply to the entire lamp. In view of the complex manufacturing process for light emitting diodes, the typical values given above for the technical LED parameters are merely statistical values that do not necessarily correspond to the actual technical parameters of an individual product; individual products may vary from the typical values.

² The lifetime is estimated at room temperature (25 °C), free air burning, base up burning position and at rated voltage. To achieve a full lifetime a good heat exchange for the electronic components is required.

Technical Drawing



Equivalent





Lamp Conformity

2004/108/EC

Electromagnetic compatibility(EMC)

EN55015/A2:2009

Limits and methods of

measurement of radio disturbance.

EN61547:2009

Electromagnetic compatibility

immunity requirements.

EN61000-3-2/A2:2009

Electromagnetic compatibility - Limits for
harmonic current emission.

EN61000-3-3:2008

Electromagnetic compatibility - Limitation
of voltage changes, voltage fluctuations,
flicker in public low voltage supply
systems.

2006/95/EC

Electrical equipment designed for use
within certain voltage limits.

EN60968/A2:1999

Self ballasted lamps for general lighting
services - Safety requirement.

IEC62560:2011

Self ballasted LED-lamps for general
lighting services by voltage >50V-Safety

EN62471:2008

Photobiological safety of lamps and
lamp systems

EN62493: 2010

Assessment of lighting equipment
related to human exposure to
electromagnetic fields (EMF)

2011/65/EU

Restriction of the use of certain
hazardous substances in
electrical and electronic
equipment (RoHS II)

Proper Use

Suitable for indoor use.

For outdoor applications and operation in
damp locations special approved fixture
are required.

Operating temperature range
between -15°C and 40°C.

Application

Household luminaires

Hotels

Hospitals

Office space

Caution

Please take the time to read this
installation guide. The guide contains
important information and notes
regarding the installation and operation.

DISCLAIMER:

We disclaims liability for any direct,
indirect or incidental damages in case
of installation performed either not
according to this guide or not performed
by a professional electrician.

Safety instruction

Always switch off the power supply
before replacing. Only to apply in dry
indoor usage and environments, outdoor
applications requires an IP rated fixtures.
Do not change the structure or an
components of the LED lamp to ensure
safety. Please read the installation
instruction very carefully and follow
the wiring instructions to ensure safety.