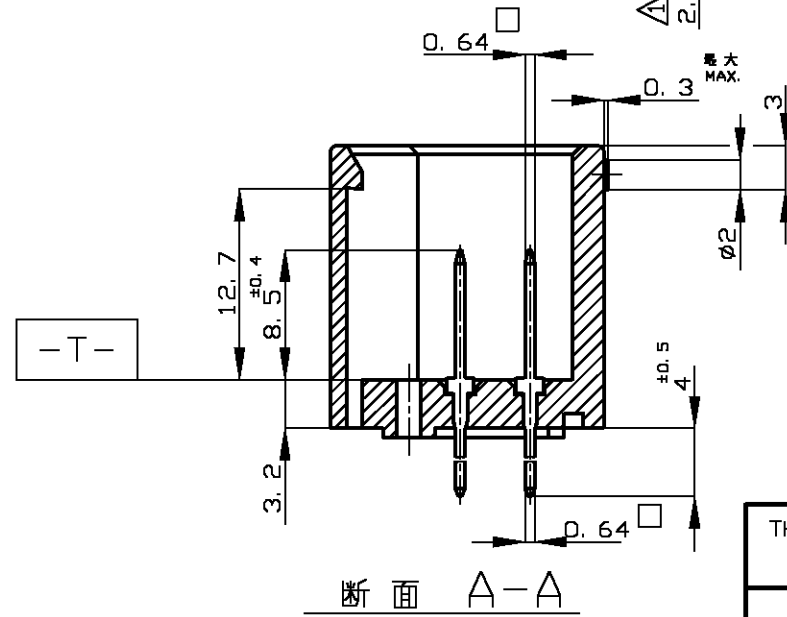
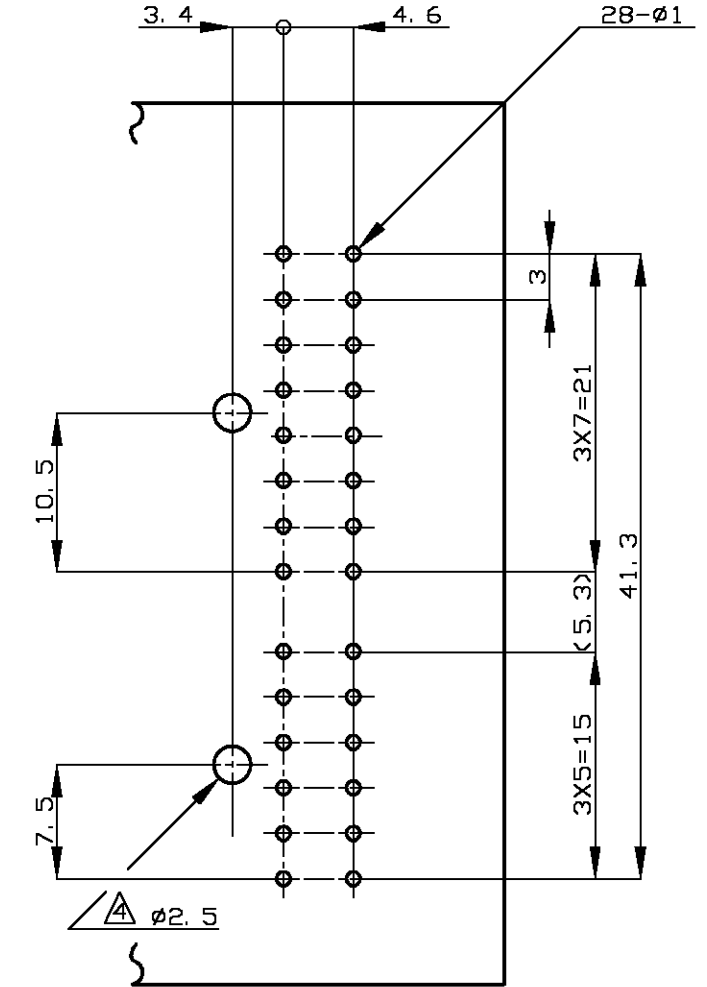
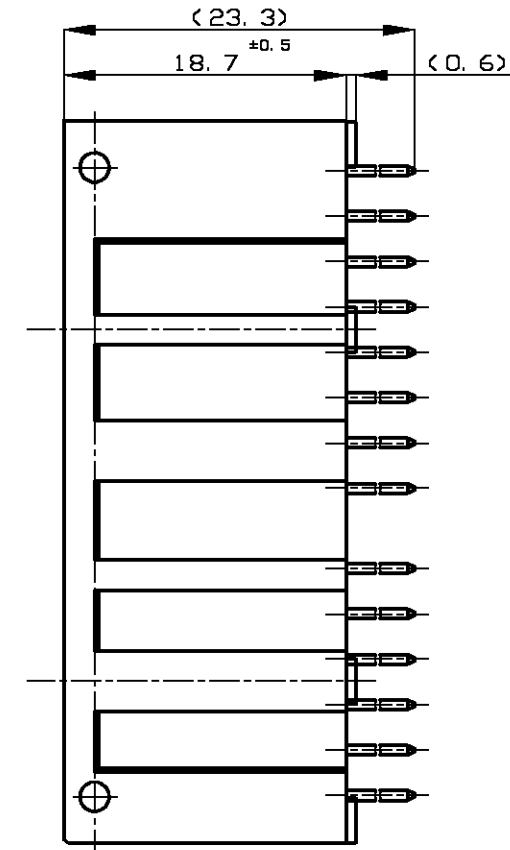
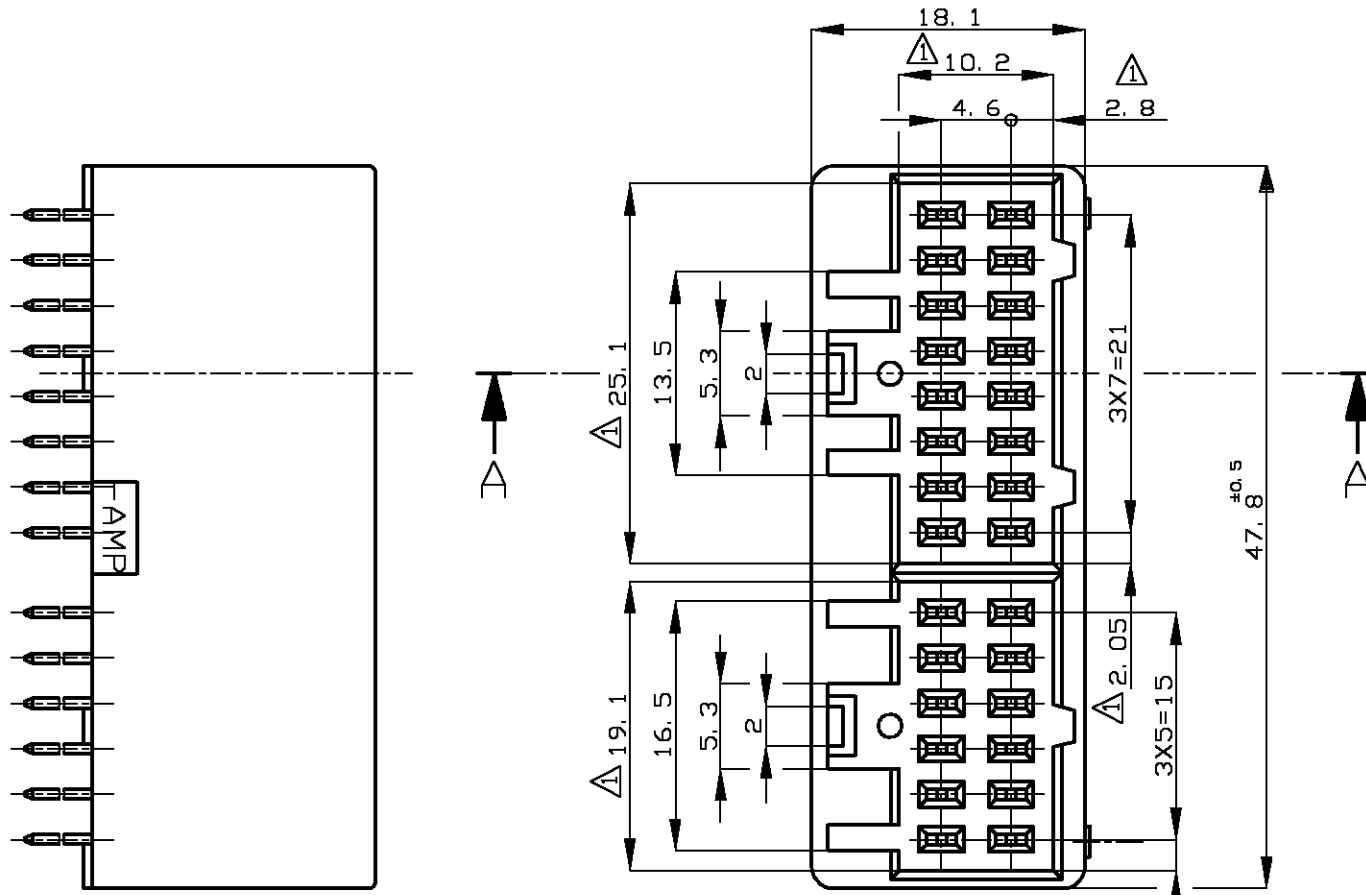


THIS DRAWING IS UNPUBLISHED. RELEASED FOR PUBLICATION
 © COPYRIGHT BY TYCO ELECTRONICS CORPORATION. ALL RIGHTS RESERVED.

LOC	DIST	REVISIONS					
J	-	P	LTR	DESCRIPTION	DATE	DWN	APVD
		E1	REVISED	ECR-06-003257	10FEB06	TS	KB

プリント基板取付寸法 公差±0.1
 (MOUNTING DIMENSIONS FOR P.C.B.; TOLERANCES ±0.1)



- △ [-T-] 面より2mmの範囲で測定
- 2. 適合する相手ハウジング型番は172021, 172054, 172852, 172054
- 3. 適用製品規格 NO. 108-5124
- △ 推奨取付ねじ ; JIS B1115, B1122 タッピンねじ
なべ3種 呼び径2, 長さ5

- △ THESE DIMENSIONS TO BE MESURED BETWEEN [-T-] AND 2.0.
- 2. MATABLE PLUG HOUSING ; 172021, 172245, 172852, 172854.
- 3. PRODUCT SPECIFICATION ; 108-5124
- △ RECOMMENDED MOUNTING SCREW ; JIS B1115 OR B1122
PAN HEAD TAPPING SCREW, CLASS 3, DIAMETER 2, LENGTH 5.

SELECTIVE-TIN	PRE-TIN	BLACK	172256-2
SELECTIVE-TIN (MATTE)	SELECTIVE-TIN (BRIGHT)	BLACK	172256-1
SOLDERING SIDE 半田付け部	CONTACT SIDE 接触部側	COLOR 色	PART NUMBER 製品型番
CONTACT FINISH コンタクト仕上			

THIS DRAWING IS A CONTROLLED DOCUMENT.		DWN T.SHINOHARA 10FEB06	Tyco Electronics AMP K.K. Kawasaki, Japan	
DIMENSIONS: 単位: 概 mm		CHK K.BETSUI 10FEB06		
TOLERANCES UNLESS OTHERWISE SPECIFIED: 一般公差		APVD K.BETSUI 10FEB06	NAME 名称	
0 PLC ± -		PRODUCT SPEC 製品規格	28POSITION CAP HOUSING ASSEMBLY (VERTICAL TYPE) DUAL LINE INTERLOCK CONNECTOR	
1 PLC ± -		APPLICATION SPEC 取付適用規格	SIZE	
2 PLC ± -		WEIGHT	CAGE CODE	DRAWING NO
3 PLC ± -		A3 00779 C-172256		
4 PLC ± -		RESTRICTED TO		
ANGLES ± -		SCALE 尺度 2:1		
MATERIAL 材料		SHEET 1 OF 1		
HOUSING ; 66NYLON		REV E1		
CONTACT ; COPPER ALLOY		CUSTOMER DRAWING		

一般公差 (GENERAL TOLERANCE)	
10以下	±0.2
10を超え 30以下	±0.25
30を超え 100以下	±0.3
角 度	±3°