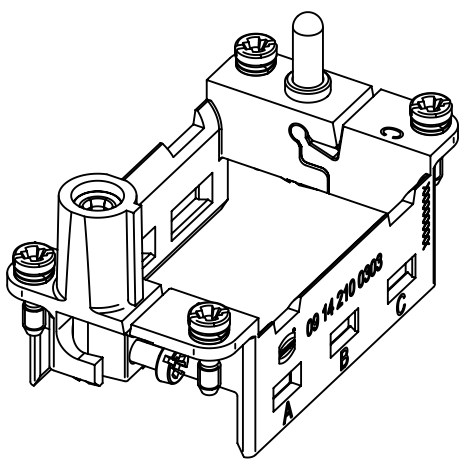
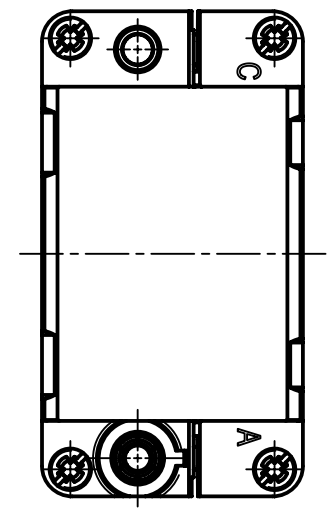
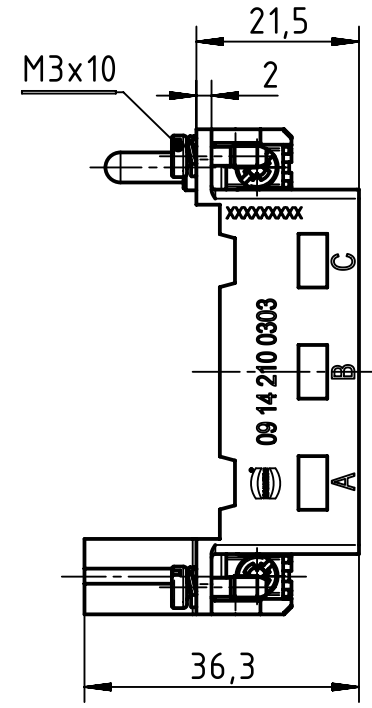
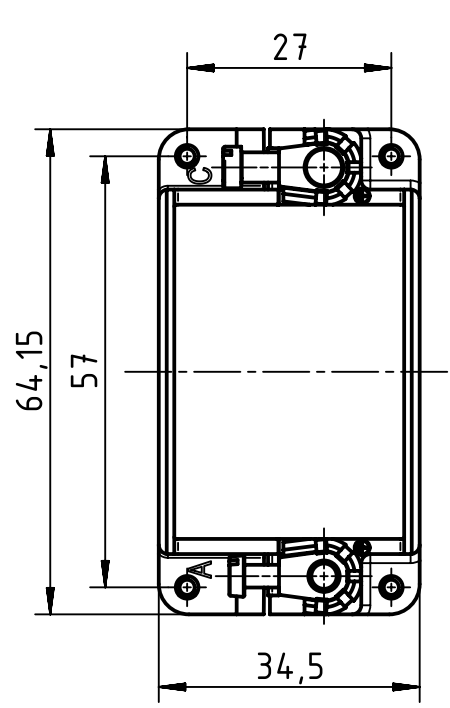


1 2 3 4 5 6

A  
B  
C  
D



	All rights reserved Department EL PD - DE	All Dimensions in mm Original Size DIN A4			Scale 1:1	Free size tol.	Ref. Sub.
		HARTING Electric GmbH & Co. KG D-32339 Espelkamp	Created by HOLLERT	Inspected by WANGX	Standardisation TIEMANNA	Date 2014-07-07	State Final Release
		Title Hinged frame HMC for 3 modules				Rev. A	
		Type TB	Number 09 14 210 0303			Page 1/1	