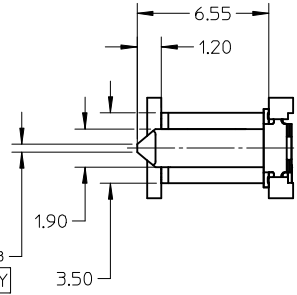
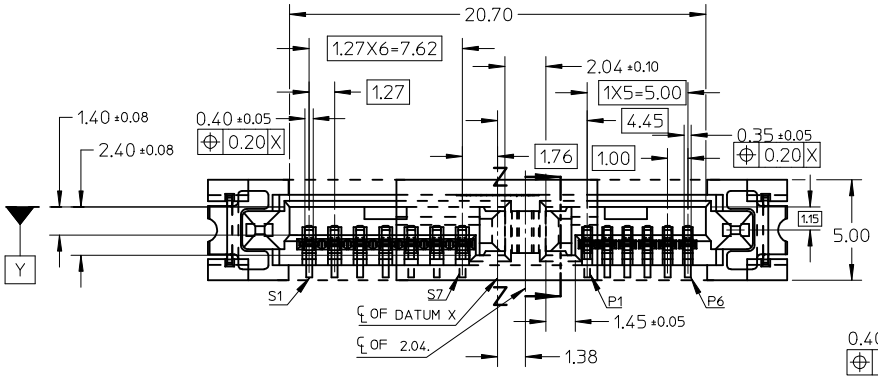
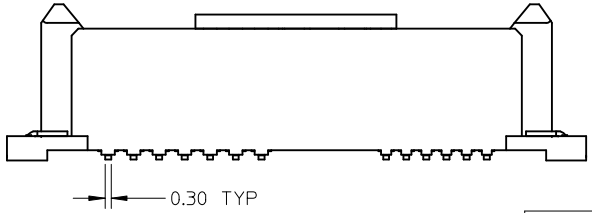


SECTION Z-Z



NOTES :

- MATERIAL :
HOUSING : HIGH TEMPERATURE THERMOPLASTIC, UL94V-0, 30% G.F., BLACK.
TERMINAL : COPPER ALLOY
FITTING NAIL : COPPER ALLOY
COVER CAP:HIGH TEMPERATURE THERMOPLASTIC, UL94V-0, 30% G.F., BLACK.
- PLATING :
TERMINAL :
CONTACT AREA :SEE TABLE.
SOLDER AREA : TIN PLATING.
UNDERPLATING : NICKEL PLATING.
FITTING NAIL :
TIN PLATING 1.0 MICRONS MIN. OVER NICKEL PLATING
1.0 MICRONS MIN.
- FOR P1 PIN ONLY.
- FOR ALL OTHER PINS.
- PRODUCT SPECIFICATION:PER PS-47650-001.
- PRODUCT PACKAGE:PER PK-47650-001.
- TERMINAL AND NAIL COPLANARITY TO BE 0.15MAX.
- THE PRODUCT COMPLIANT TO RoHS DIRECTIVE 2002/95/EC AND 2000/53/EC.



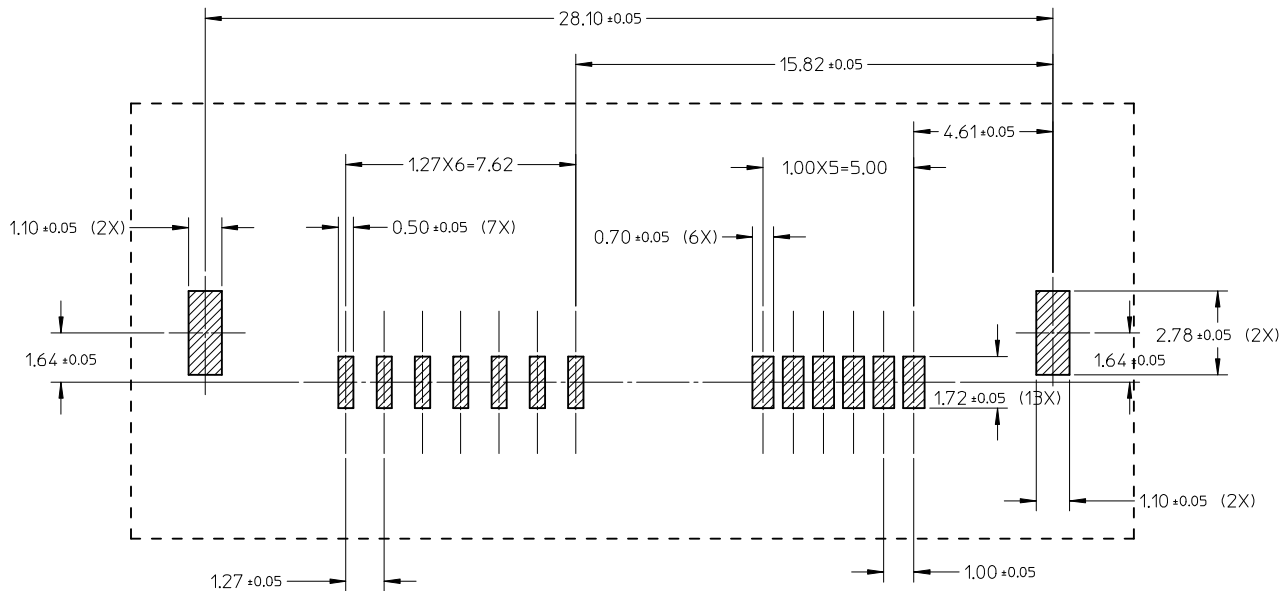
TABLE

P/N	CONTACT AREA PLATING
47650-0001	0.1 MICRON MIN. GOLD
47650-0002	0.38 MICRON MIN. GOLD

UPDATE DRAWING	DESCRIPTION
EC NO: SH2009-0756	REV
DRWN:XJ SONG 2009/06/01	REV
CHKD:XJ SONG 2009/06/02	REV
APPR:HWANG 2009/06/30	REV

QUALITY SYMBOLS	GENERAL TOLERANCES (UNLESS SPECIFIED)	
	mm	INCH
▽=0	4 PLACES ± ---	± ---
▽=0	3 PLACES ± ---	± ---
	2 PLACES ± 0.15	± ---
	1 PLACE ± 0.20	± ---
	ANGULAR ± 2 °	
	DRAFT WHERE APPLICABLE MUST REMAIN WITHIN DIMENSIONS	

DIMENSION STYLE		SCALE	DESIGN UNITS	THIRD ANGLE PROJECTION
MM ONLY		4:1	METRIC	☉
DRAWN BY	DATE	TITLE		
LSONG	2008-2-16	SLIMLINE SATA RECEPTACLE CONNECTOR		
CHECKED BY	DATE	MOLEX INCORPORATED		
JTIAN	2008-2-16	SD-47650-001		
APPROVED BY	DATE	SHEET NO.		
HWANG	2008-2-16	1 OF 2		
MATERIAL NO.	SEE TABLE	THIS DRAWING CONTAINS INFORMATION THAT IS PROPRIETARY TO MOLEX INCORPORATED AND SHOULD NOT BE USED WITHOUT WRITTEN PERMISSION		



RECOMMENDED PCB LAYOUT DIMENSION

SEE SHEET 1	EC NO: SH2009-0756	2009/06/01	QUALITY SYMBOLS =0 =0	GENERAL TOLERANCES (UNLESS SPECIFIED)		DIMENSION STYLE MM ONLY		SCALE 6:1	DESIGN UNITS METRIC	THIRD ANGLE PROJECTION	
	DRWN: XJSONG	2009/06/01		mm	INCH	DRAWN BY LSONG	DATE 2008-2-16	TITLE SLIMLINE SATA RECEPTACLE CONNECTOR			
	CHKD: XJSONG	2009/06/02		4 PLACES ± ---	± ---	CHECKED BY JTIAN	DATE 2008-2-16				
	APPR: HWWANG	2009/06/30		3 PLACES ± ---	± ---	APPROVED BY HWWANG	DATE 2008-2-16	MATERIAL NO. SEE SHEET 1 DOCUMENT NO. SD-47650-001			
REV	DESCRIPTION	2 PLACES ± 0.15	± ---	DRAFT WHERE APPLICABLE MUST REMAIN WITHIN DIMENSIONS		SIZE A3	THIS DRAWING CONTAINS INFORMATION THAT IS PROPRIETARY TO MOLEX INCORPORATED AND SHOULD NOT BE USED WITHOUT WRITTEN PERMISSION				
		1 PLACE ± 0.20	± ---				SHEET NO. 2 OF 2				
		ANGULAR ± 2 °					MOLEX MOLEX INCORPORATED				