

Number of contacts

9-25



IP 67, straight turned solder pins,
with rear plastic mounting plate, spacer and board lock

Identification	No. of contacts	Part No.	
		S4 ¹⁾	
Male connector metal shell with dimples	9 15 25	09 67 509 .	675
		09 67 515 .	675
		09 67 525 .	675
Please insert digit for flange thread			
4-40 UNC ▶	7		
M3 ▶	9		
Female connector metal shell	9 15 25	09 67 509 .	775
		09 67 515 .	775
		09 67 525 .	775
Please insert digit for flange thread			
4-40 UNC ▶	6		
M3 ▶	8		

D-Sub - W

¹⁾ S4: ≥ 0.76 µm Au (30 µinch)

Number of contacts

9-25



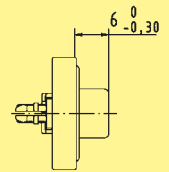
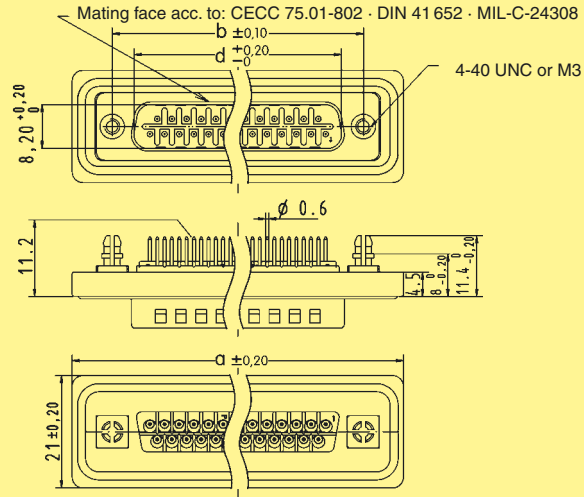
IP 67, straight turned solder pins, with rear plastic mounting plate, spacer and board lock

Identification

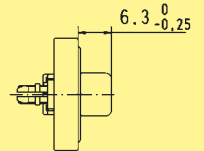
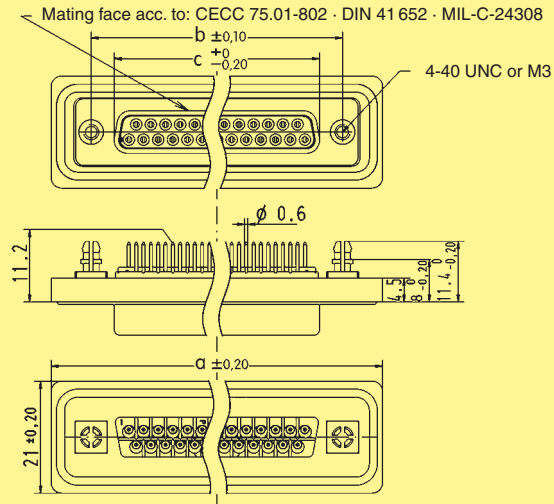
Drawing

Dimensions in mm

Male connector
9 – 25 contacts

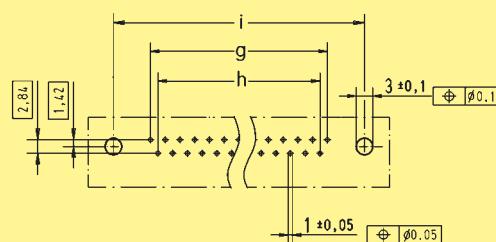


Female connector
9 – 25 contacts



	a	b	c	d	g	h	i
9	40.0	25.00	16.4	16.9	4 x 2.74 = 10.96	3 x 2.74 = 8.22	25.0
15	48.3	33.30	24.7	25.2	7 x 2.74 = 19.18	6 x 2.74 = 16.44	33.3
25	62.0	47.04	38.5	38.9	12 x 2.76 = 33.12	11 x 2.76 = 30.36	47.0

Board drillings



D-Sub - W