


Bus system T-connector - SAC-M12T/2XM12 CAN - 1507793

Please be informed that the data shown in this PDF Document is generated from our Online Catalog. Please find the complete data in the user's documentation. Our General Terms of Use for Downloads are valid (<http://download.phoenixcontact.com>)

Bus system T-connector, 5-pos., DeviceNet™/CANopen, M12 socket to M12 socket and M12 plug



Key commercial data

Packing unit	1 pc
GTIN	 4 017918 900397
Weight per Piece (excluding packing)	37.6 g
Custom tariff number	85444290
Country of origin	Germany

Technical data

Ambient conditions

Ambient temperature (operation)	-25 °C ... 80 °C (Plug / socket)
Degree of protection	IP65
	IP67

General

Rated current at 40°C	4 A
Rated voltage	60 V
Number of positions	5
Contact resistance	≤ 5 mΩ
Insulation resistance	≥ 1 GΩ
Coding	A - standard
Status display	No
Surge voltage category	II
Pollution degree	3
Test voltage	1500 V
Insertion/withdrawal cycles	≥ 100

Material

Bus system T-connector - SAC-M12T/2XM12 CAN - 1507793

Technical data

Material

Inflammability class according to UL 94	V0
Contact material	Cu alloy
Contact surface material	Ni/Au
Contact carrier material	PUR
Material of grip body	PUR
Material, knurls	Nickel-plated brass
Sealing material	Viton

Classifications

eCl@ss

eCl@ss 4.0	27060306
eCl@ss 4.1	27060306
eCl@ss 5.0	27061801
eCl@ss 5.1	27061801
eCl@ss 6.0	27061801
eCl@ss 7.0	27061801
eCl@ss 8.0	27061801

ETIM

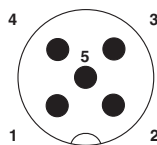
ETIM 2.0	EC000830
ETIM 3.0	EC001855
ETIM 4.0	EC001855
ETIM 5.0	EC001855

UNSPSC

UNSPSC 6.01	31251501
UNSPSC 7.0901	31251501
UNSPSC 11	31251501
UNSPSC 12.01	31251501
UNSPSC 13.2	31251501

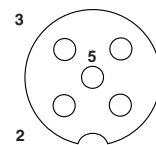
Drawings

Schematic diagram



Pin assignment M12 male connector, 5-pos., A-coded, male side

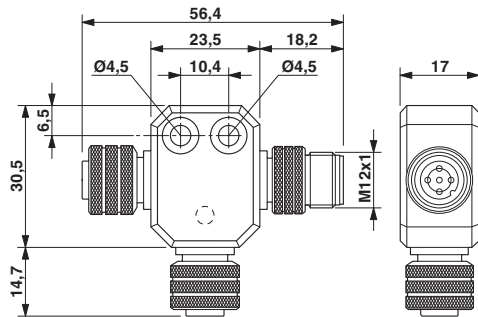
Schematic diagram



Pin assignment M12 socket, 5-pos., A-coded, socket side view

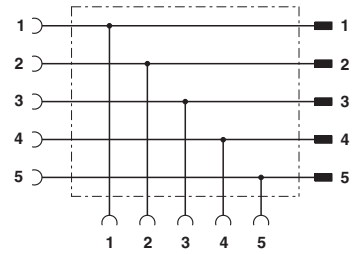
Bus system T-connector - SAC-M12T/2XM12 CAN - 1507793

Dimensioned drawing



M12 T-distributor

Circuit diagram



Contact assignment of the M12 plug and the M12 socket