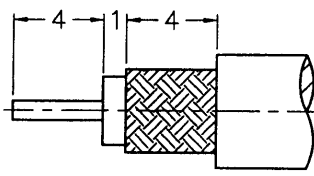


REVISIONS		
ISS	ZONE	DESCRIPTION\PER REQUEST\DATE

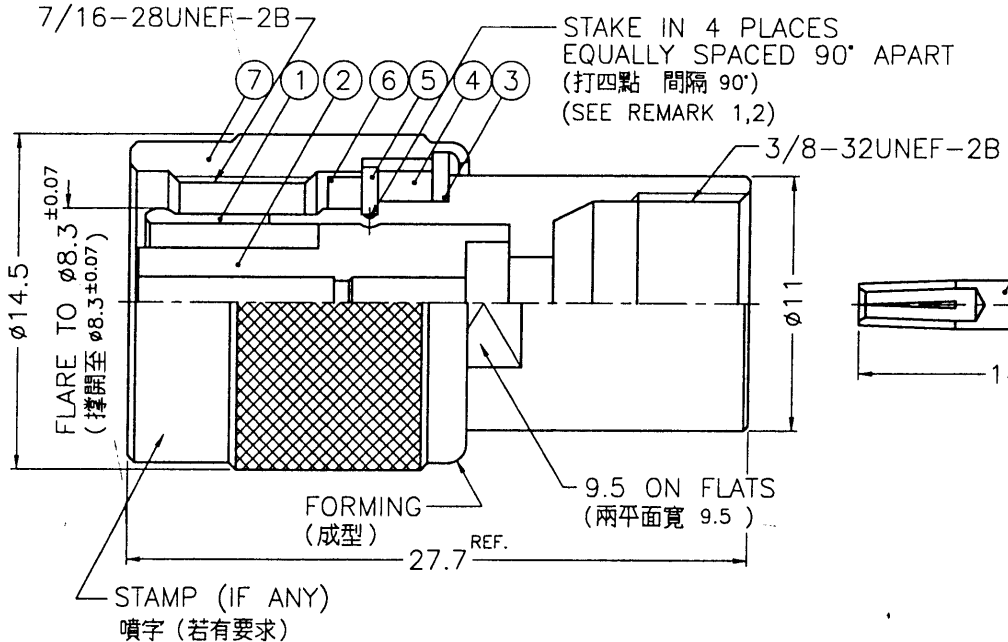
**SALES**



1. CRIMPED CONTACT PIN  
HEX CRIMP SIZE .068"

RECOMMENDED  
CABLE STRIPPING DIM'S  
(建議剝線尺寸)

F  
E  
D  
C  
B  
A



- NOTES: FINISH (PLATING THICKNESS IN MICRO-INCHES)
- BRASS PER QQ-B-626
  - BRASS PER QQ-B-613
  - NICKEL PL. 100 MIN. THICK OVER COPPER STRIKE
  - PHOSPHOR BRONZE PER QQ-B-750
  - GOLD PL. 3 MIN. THICK OVER NICKEL PL. 100 MIN. THICK OVER COPPER STRIKE
  - TEFLON MIL-P-19468

- REMARK: 1. NO.2 MUST WITHSTAND A 6 lbs. MIN. PUSHOUT FORCE FROM NO.1 AFTER STAKING OPERATION
2. REMARK1 IS MAINTAINED BY STAMPING THE FOUR POINTS SHOWN ON THE DRAWING WITHOUT PUNCTURING NO.1
- (1. 打四點後零件 2 由零件 1 推出至少必須承受 6 磅推力)  
(2. 打四點後除需符合備註 1 要求外 且不可擊穿零件 1)

NO.	DESCRIPTION	MATERIAL	FINISH	Q'TY	DRAWING NO.
12	HEX NUT			1	HN00AAF14A
11	WASHER			1	WS-85/65X05
10	GASKET	SILICONE	RED	1	GS-8/5X32
9	TOP HAT			1	TH00AAA06A
8	CONTACT PIN			1	B74000-8-25/11
7	SHELL			1	T50000-1-B
6	GASKET	RUBBER	RED	1	GS-105/8X15
5	RETAINER RING			1	B50000-5
4	RING	DELTRIN	NATURAL	1	T50000-6-A
3	WASHER			1	WS-128/9X08
2	INSULATOR			1	NS51AAB01A
1	BODY			1	BD01AKT01A

DIMENSIONS ARE IN MILLIMETERS  
UNLESS OTHERWISE SPECIFIED TOLERANCES

0.5-6 = ±0.2  
6-30 = ±0.4  
30-120 = ±0.6  
120-315 = ±1  
315-1000 = ±1.6  
1000-2000 = ±2.4

PART NO.	RT1141A1-NT3G-1-50
APPROVED	<i>[Signature]</i> DATE 03-24-03'
CHECKED	<i>[Signature]</i> DATE 03-24-03'
DRAWN	<i>[Signature]</i> DATE 03-24-03'
FILE NO.	F:\DWG\RT\1141A1\58U-50\NT3G

**Amphenol**  
Danbury, CT, USA - Tainan, Taiwan - Shenzhen, China

TITLE TNC REVERSE POLARITY CLAMP PLUG  
(FOR RG-58C/U, 58/U, 142A/U, 223/U)

DRAWING NO. RT1141A1-NT3G-58U-50

ITEM NO. 521141AAB58NA5F

