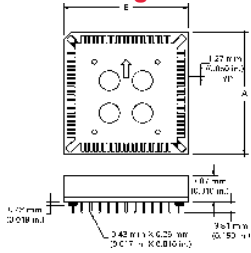


**54020-52030LF - PLCC :**  
**Through Hole Sockets**



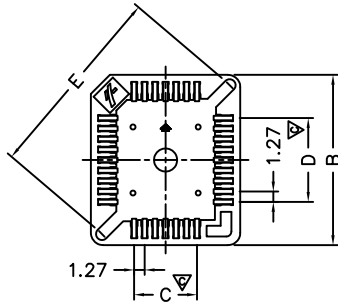
[www.fci.com](http://www.fci.com)

**Specifications**

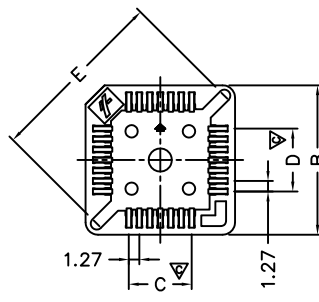
|                                   |                     |
|-----------------------------------|---------------------|
| <b>General</b>                    |                     |
| Location Peg                      | No                  |
| Number of contacts                | 52                  |
| Product Style                     | PLCC                |
| <b>Electrical</b>                 |                     |
| Current rating                    | 1 amp               |
| Resistance (Contact)              | 20 m ohms max.      |
| Resistance (Insulation)           | 1000 M ohms min.    |
| Voltage rating                    | 250V AC max.        |
| <b>Mechanical</b>                 |                     |
| Durability (Mating cycles)        | 25 Cycles           |
| Insertion force                   | 22 lbs max.         |
| Withdrawal Force                  | 3.5 lbs min.        |
| <b>Mounting</b>                   |                     |
| Mounting style                    | Through Hole        |
| <b>Physical</b>                   |                     |
| Color (Housing)                   | Brown               |
| Material (Contact)                | Copper Alloy        |
| Material (Housing)                | PPS, UL94V-0        |
| Plating (Inner clip / Contact)    | 100μ" min. Pure Tin |
| Underplating (Contact)            | 50μ" min. Nickel    |
| Temperature (Range)               | -40°C to 105°C      |
| <b>Approvals / Certifications</b> |                     |
| Approvals / Certifications        | UL and CSA Pending  |
| <b>Other Features</b>             |                     |
| Packaging (Type)                  | Tube                |



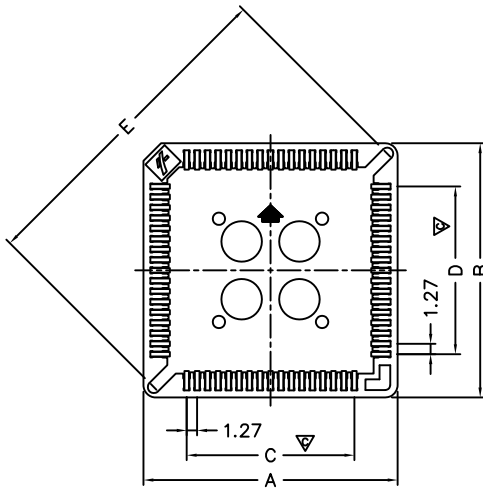
Copyright FCI.



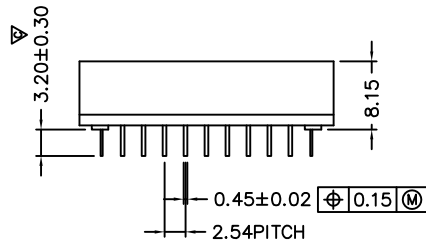
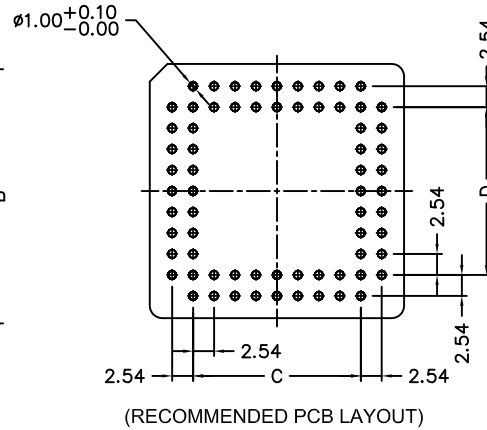
ABOVE FOR 32 COUNTS ONLY



ABOVE FOR 20, 28 COUNTS



ABOVE FOR 44, 68 AND 84 COUNTS



NOTES:

1 MATERIAL:

HOUSING: PPS UL94 V-0, Brown.  
CONTACT: Copper Alloy.

2 FINISH:

CONTACT: 100  $\mu$ m Min. Pure Tin or Tin/Lead plated on soldering end over 50  $\mu$ m Min. Nickel under-plating.

3 ORDER INFORMATION:

54020-XX 0 3 0 PT  
Series No. \_\_\_\_\_  
No. of Contacts: 20 28 32 44 52 68 84  
Contact plated: 0-Tin alloy plated.  
PT/LF: Pure Tin Plated.  
BLANK: Tin/Lead Plated  
Post/Packaging: 0-Without Post/In tube package.  
Housing Material/Color: 3-PPS/Brown.

4 SPECIFICATION:

Current Rating: 1A Max.  
Voltage Rating: 250V AC Max.  
Dielectric Strength: 600V AC RMS for 1 minute.  
Contact Resistance: 20 m $\Omega$  MAX.  
Insulator Resistance: 1000M $\Omega$  min. at 500V DC.  
Temperature: -40°C to +105°C  
Durability: 25 Cycles.

5 PRODUCT SPECIFICATION: GES-12-054.

6 MANUFACTURING PROCESS COMPATIBILITY

The housing will withstand exposure to 245°C solder bath temperature for 5 second in a wave solder application.

| A/P PART NO. | Dimension(mm) |       |       |       |       | MCK PART NO. |
|--------------|---------------|-------|-------|-------|-------|--------------|
|              | A±0.2         | B±0.2 | C±0.1 | D±0.1 | E±0.2 |              |
| 54020-20030  | 15.56         | 15.56 | 5.08  | 5.08  | 18.20 | PLCC-20P-T   |
| 54020-28030  | 18.10         | 18.10 | 7.62  | 7.62  | 21.80 | PLCC-28P-T   |
| 54020-32030  | 17.80         | 20.20 | 7.62  | 10.16 | 23.85 | PLCC-32P-T   |
| 54020-44030  | 23.18         | 23.18 | 12.70 | 12.70 | 29.00 | PLCC-44P-T   |
| 54020-52030  | 26.90         | 26.90 | 15.24 | 15.24 | 33.00 | PLCC-52P-T   |
| 54020-68030  | 30.88         | 30.88 | 20.32 | 20.32 | 40.00 | PLCC-68P-T-2 |
| 54020-84030  | 35.98         | 35.98 | 25.40 | 25.40 | 47.15 | PLCC-84P-T-2 |

| rev | ecn no   | dr | date     |
|-----|----------|----|----------|
| C   | T03-0440 | JH | 10/03/03 |
| D   | T05-0017 | JH | 1/24/05  |
| E   | T05-0114 | JH | 5/9/05   |
| F   | T05-0212 | JH | 9/21/05  |
| G   | T10-0010 | JH | 1/25/10  |
| H   | T11-0002 | JH | 1/11/11  |
| J   | T11-0018 | JH | 3/25/11  |

|                    |             |         |   |               |            |              |
|--------------------|-------------|---------|---|---------------|------------|--------------|
| www.fciconnect.com |             |         | surface <input checked="" type="checkbox"/> | tolerance std | projection | MM           |
|                    |             |         | TOLERANCES UNLESS OTHERWISE SPECIFIED       |               |            |              |
| Dr                 | Jason Hsu   | 1/11/11 | ANGULAR                                     | 0.X ±0.25     | size       | A4           |
| Eng                | Jason Hsu   | 1/11/11 | LINEAR                                      | 0.XX ±0.15    |            | Scale N/A    |
| Chr                | Gary Hsieh  | 1/11/11 | 0° ±5°                                      | 0.XXX ±0.10   | ECN        | T11-0018     |
| Appr               | Joseph Hsia | 1/11/11 | Product family                              |               | Spec ref   |              |
| title              |             |         | PLCC DIP Socket                             |               | chg no     | 54020        |
| catalog no         |             |         | -   |               | CUSTOMER   | sheet 1 of 2 |
|                    |             |         |   |               | Rev.       | J            |

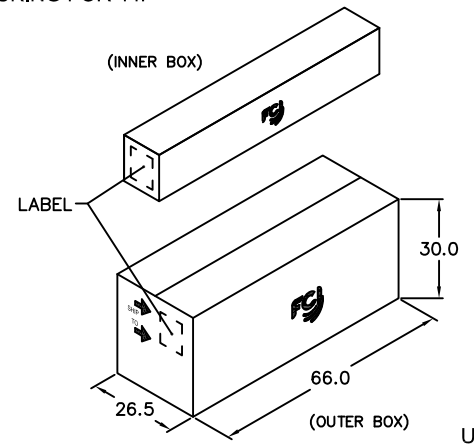
1

2

3

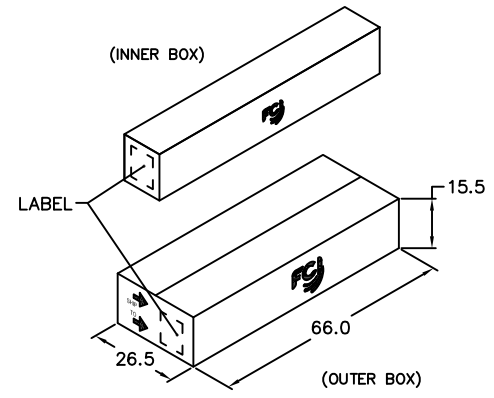
4

< PACKING FOR 44P >



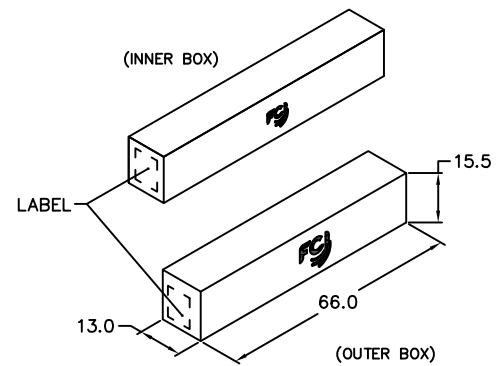
UNIT: CM

< PACKING FOR 28P,32P & 52P >



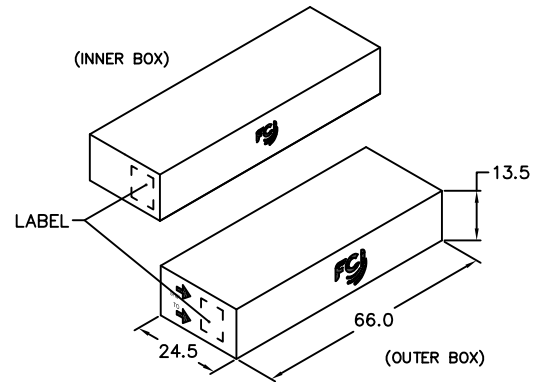
UNIT: CM

< PACKING FOR 20P >



UNIT: CM

< PACKING FOR 68P & 84P >



UNIT: CM



Copyright FCI.

| DIP PLCC PACKING LIST FOR TUBE=612mm |          |                |               |                       |                |           |           |  |
|--------------------------------------|----------|----------------|---------------|-----------------------|----------------|-----------|-----------|--|
| CONTACTS                             | PCS/TUBE | TUBE/INNER BOX | PCS/INNER BOX | INNER BOX / OUTER BOX | PCS/ OUTER BOX | N.W.(KGS) | G.W.(KGS) |  |
| 20P                                  | 37       | 49             | 1813          | 1                     | 1813           | 3.6       | 5.1       |  |
| 28P                                  | 32       | 42             | 1344          | 2                     | 2688           | 7.0       | 10.5      |  |
| 32P                                  | 28       | 42             | 1176          | 2                     | 2352           | 6.5       | 9.9       |  |
| 44P                                  | 25       | 35             | 875           | 4                     | 3500           | 13.4      | 20.9      |  |
| 52P                                  | 21       | 32             | 672           | 2                     | 1344           | 6.8       | 10.8      |  |
| 68P                                  | 18       | 42             | 756           | 1                     | 756            | 4.4       | 7.8       |  |
| 84P                                  | 16       | 39             | 624           | 1                     | 624            | 4.6       | 8.0       |  |

REV F - 2006-04-17

|                    |             |         |   |               |            |              |         |              |
|--------------------|-------------|---------|---|---------------|------------|--------------|---------|--------------|
| www.fciconnect.com |             |         | surface <input checked="" type="checkbox"/> | tolerance std | projection | MM           |         |              |
|                    |             |         | TOLERANCES UNLESS OTHERWISE SPECIFIED       |               |            | ← →          |         |              |
| Dr                 | Jason Hsu   | 1/11/11 | ANGULAR                                     | LINEAR        | 0.X        | ± 0.25       | size A4 | Scale N/A    |
| Eng                | Jason Hsu   | 1/11/11 |   |               | 0.XX       | ± 0.15       |         |              |
| Chr                | Gary Hsieh  | 1/11/11 | 0°  | ± 5°          | 0.XXX      | ± 0.10       | ECN     | T11-0018     |
| Appr               | Joseph Hsia | 1/11/11 | Product family                              |               |            | Spec ref     |         |              |
|                    |             |         | title PLCC DIP Socket                       |               |            | dmg no 54020 |         | Rev. J       |
|                    |             |         | catalog no -                                |               |            | CUSTOMER     |         | sheet 2 of 2 |

1

2

3

4

PDM: Rev:J

STATUS: Released

Printed: Mar 31, 2011