
Ordering number C13490_HB-5X1-FLAT-W

Family	High Bay	FWHM	(simulated) 56
Type	Lens array	Efficiency	-
LED	XM-L2	cd/lm	(simulated) 0.000
Color	Clear	Gerber File	Available
Diameter	123 + 25 mm		
Height	8.5 mm		
Style	Rectang		Otherwise same as C12345_HB-5X1-W but bottom structure is
Optic Material	PMMA		
Holder Material	-		
Fastening	Screw, pin, glue		
Status	On production		

Ordering number C12345_HB-5X1-W

Family	High Bay	FWHM	55 degrees
Type	Lens array	Efficiency	89 %
LED	XM-L2	cd/lm	0.970
Color	Clear	Gerber File	Available
Diameter	123 + 25 mm		
Height	9 mm		
Style	Rectang		
Optic Material	PMMA		
Holder Material	-		
Fastening	Screw, pin, glue		
Status	On production		

NOTE: The typical divergence will be changed by different color, chip size and chip position tolerance. The typical total divergence is the full angle measured where the luminous intensity is half of the peak value.



PRODUCT DATASHEET

High Bay series

last update 7/8/2013

GENERAL INFORMATION

- Product series especially designed & optimized for XM-L2 series of LEDs.
- Special care taken to make light distribution as uniform as possible.
- Lens material optical grade PMMA with high UV and temperature resistance. Allows use of high current and temperature conditions.

Please find more information about used material from below:

http://ledil.fi/sites/default/files/Documents/Technical/Material/PMMA%20N%20UL94_Yellow%20Card.pdf

<http://ledil.fi/sites/default/files/Documents/Technical/Material/PMMA%20N%20PLEXIGLAS-Datasheet.pdf>

D

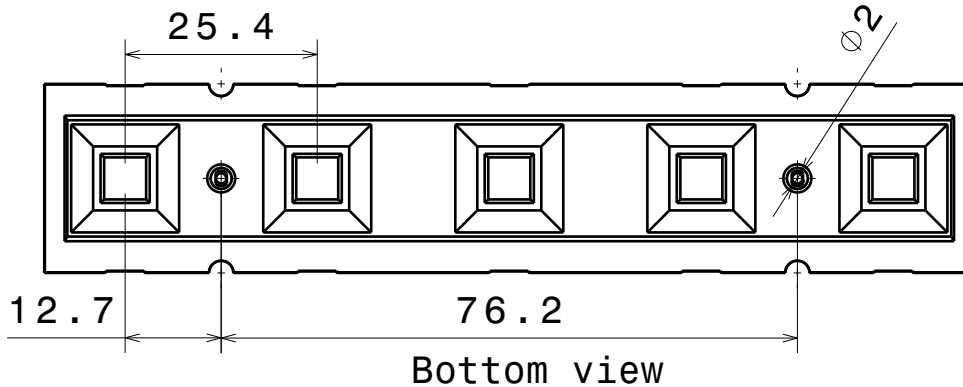
C

B

A

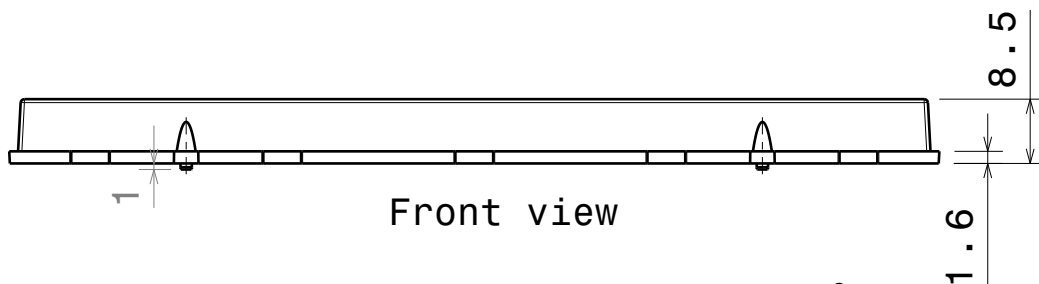
4

4



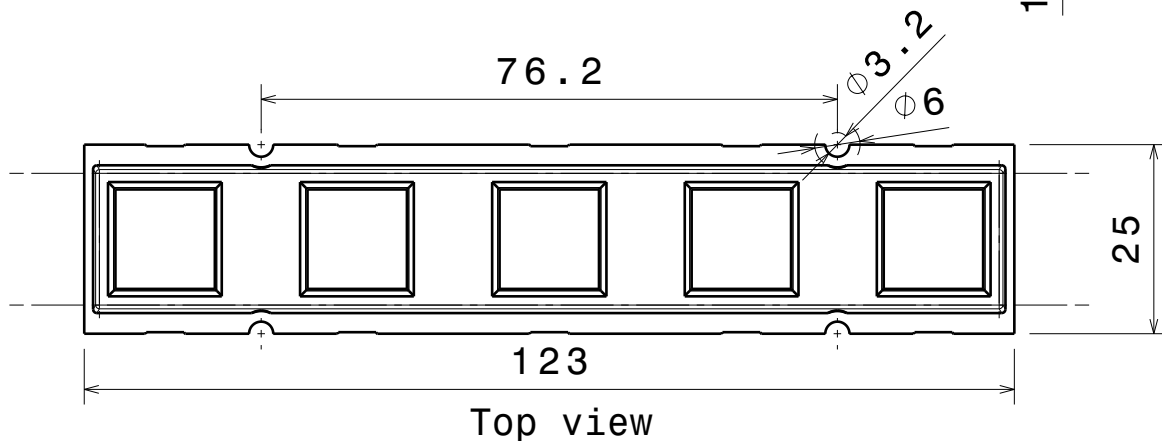
3

3



2

2



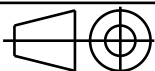
INDEX	PART NO	DESCRIPTION	MATERIAL	COLOUR
1	C13490	HB-5X1-FLAT-W	PMMA 8N	

Tolerances if not otherwise shown
According to DIN ISO 2768-1
Linear measures:
Up to 30mm class F, otherwise class M.
According to DIN ISO 2768-2
Form and position: class K

LEDiL

Ledil Oy
Salorankatu 10
FIN 24240 SALO
Finland

THIRD ANGLE PROJECTION:



DRAWING TITLE

C13490_HB-5X1-FLAT-W

This drawing is the property
of LEDiL Oy. It may not be
reproduced, copied or
communicated without a written
agreement with LEDiL Oy."

SIZE PART NUMBER

A4

C13490

SCALE 1:1 WEIGHT -

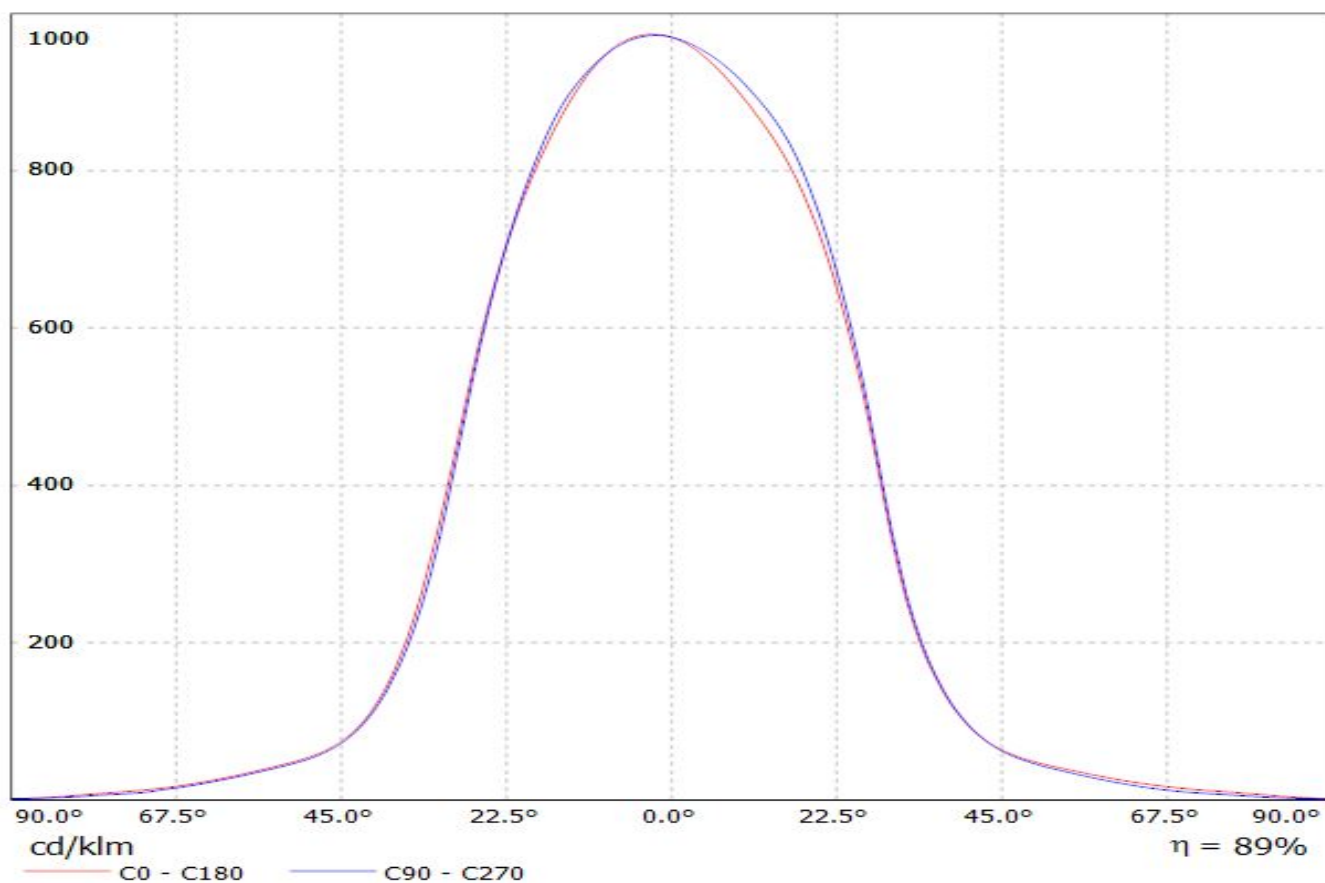
SHEET 1/1

D

A

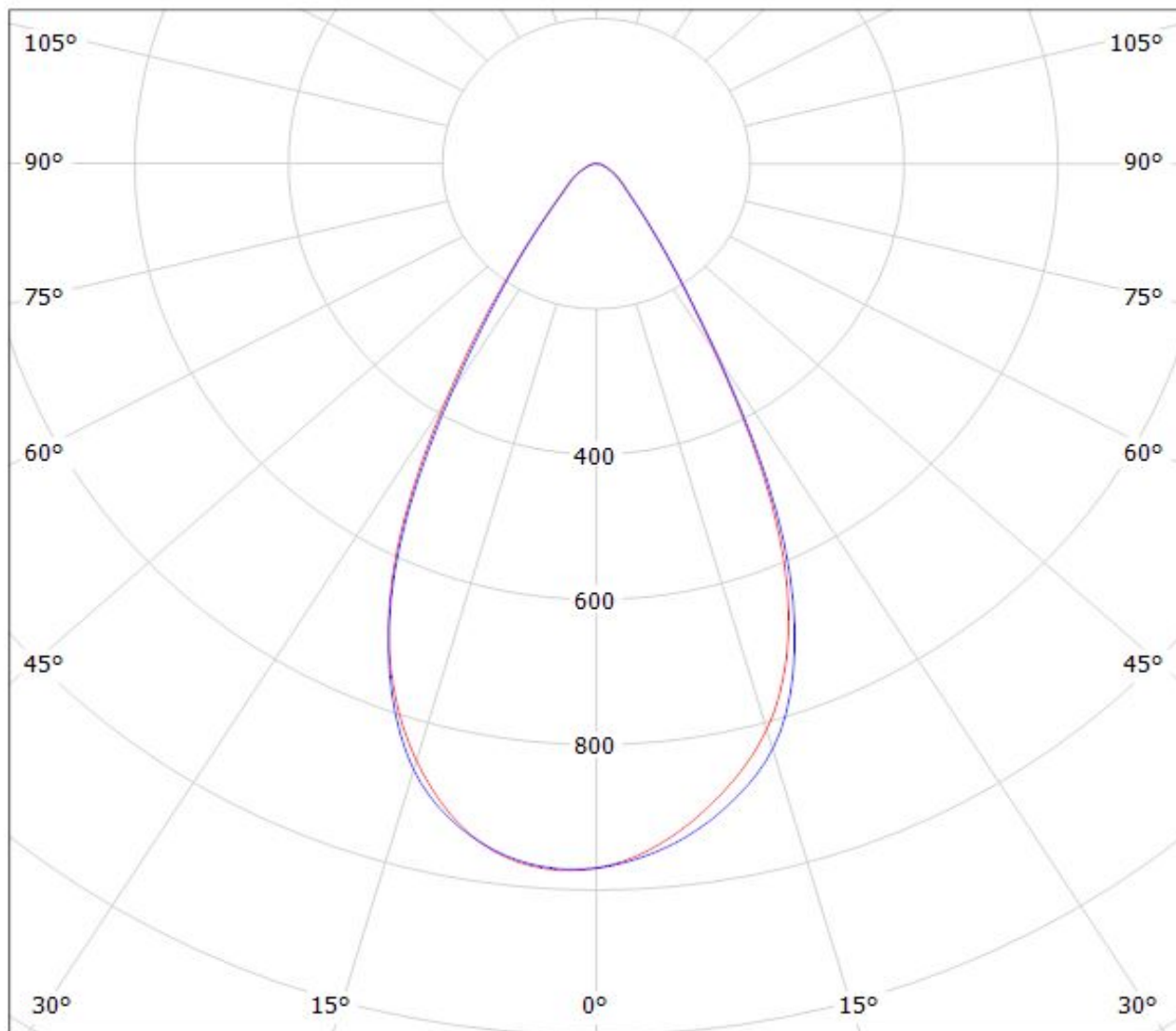
1

Luminaire: LEDiL Oy C12345_HB_5x1_W_(XM-L2) Eff.88.9%
Lamps: 1 x CREE_XM-L2_5x1_(XMLBWT-0-7B4-T30-0L-0001)_457.06lm@250mA_P=3.50469W_I=249.8mA



Luminaire: LEDiL Oy C12345_HB_5x1_W_(XM-L2) Eff.88.9%

Lamps: 1 x CREE_XM-L2_5x1_(XMLBWT-0-7B4-T30-0L-0001)_457.06lm@250mA_P=3.50469W_I=249.8mA



cd/klm

— C0 - C180

— C90 - C270

$\eta = 89\%$