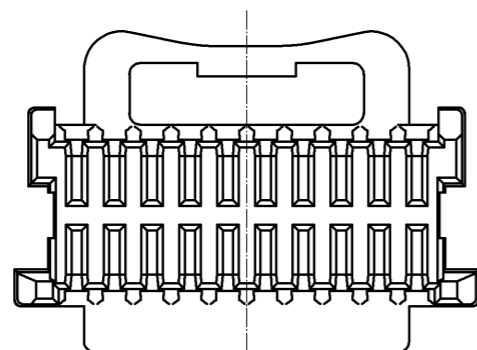
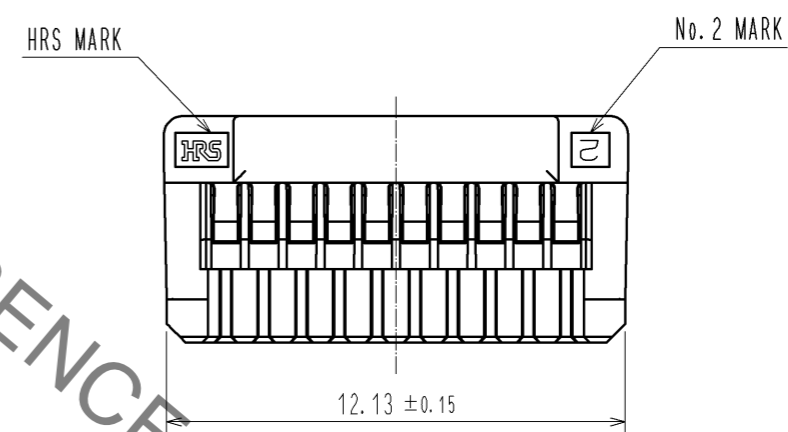
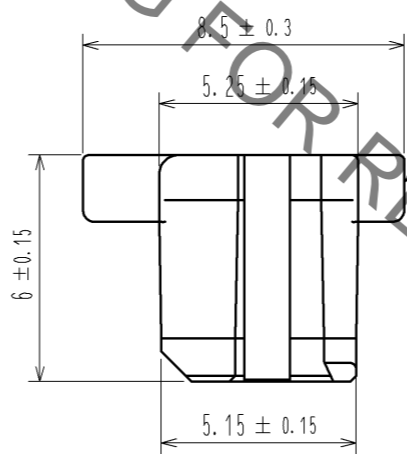
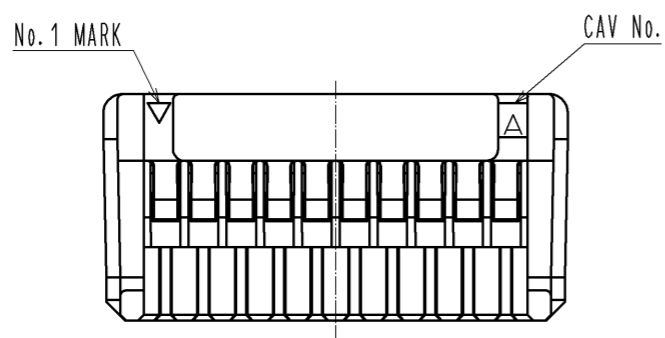
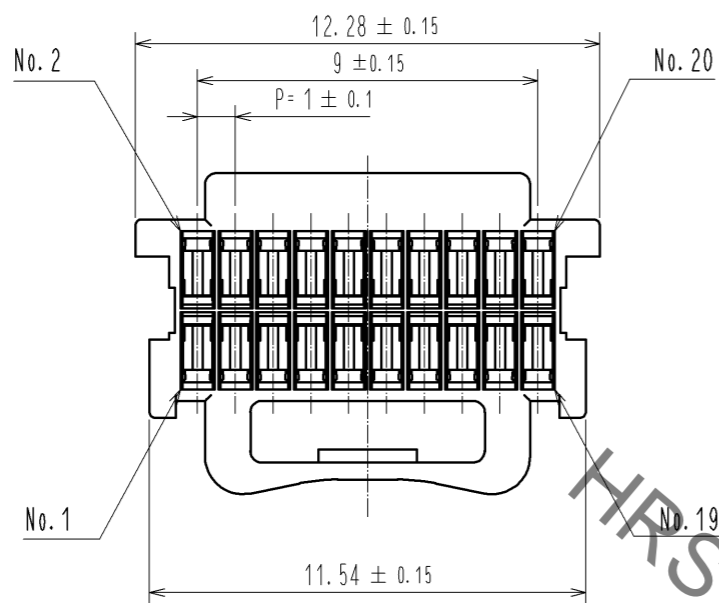


Sep.1.2019 Copyright 2019 HIROSE ELECTRIC CO., LTD. All Rights Reserved.
 In case of consideration for using Automotive equipment / device which demand high reliability, kindly contact our sales window correspondents.



NOTE 1. 100 PIECES PER PACK

NO.	MATERIAL	FINISH . REMARKS	NO.	MATERIAL	FINISH . REMARKS
			1	PBT	UL94V-0. BLACK
UNITS mm		SCALE 5 : 1	COUNT	DESCRIPTION OF REVISIONS	DESIGNED
HRS	HIROSE ELECTRIC CO., LTD.	APPROVED : KI. AKIYAMA	14. 10. 24	DRAWING NO.	EDC3-339520-01
		CHECED : TS. FUKUSHIMA	14. 10. 23	PART NO.	DF50S-20DS-1C(15)
		DESIGNED : HT. SATO	14. 10. 23	CODE NO.	CL665-0020-2-15
		DRAWN : MI. SAKIMURA	14. 10. 23		1/1