

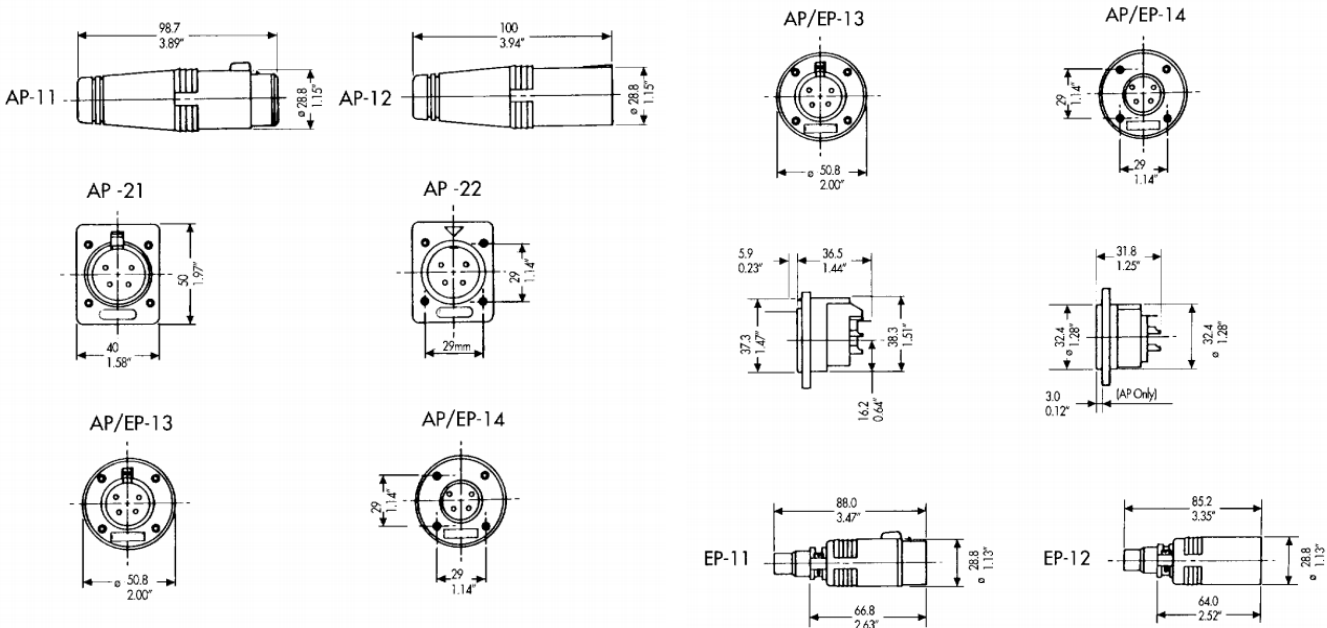
Datasheet

4 Way Female Panel Mount Loudspeaker Connector, 20A

RS Stock 449-231

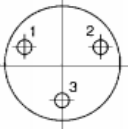
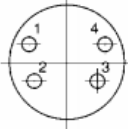
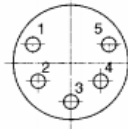
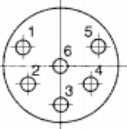
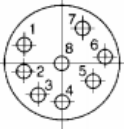


Dimensions: (mm)



Specification

Cable OD	11mm to 17mm (0.43" to 0.67")
Cable Retention Force	Typically 22 to 44kg (50 to 10lb)
Retention Method	2 opposing plastic screws on 11 & 12 only
Shell	Modified PPE Resin Black
Insulators	UL94-O PBT Resin
Contacts	Precision machined Brass / Bright Tin / Solder Cup
Cable Bushing	Silicon Rubber
Operating Temp	-25°C to +75°C
Contact Resistance	≤3m Ω
Insulation Resistance	≥10 ³ meg Ω
Connector Insertion	≥10 / ≤30

	EP - 3	AP/EP - 4	AP/EP - 5	AP/EP - 6	AP/EP - 8
Face View of Pin Inserts					
Test Voltage AC RMS	2400	3000	1600	1600	1300
Service Voltage RMS	460	660	200	200	100
Current Ratings Amps	20	20	20	20	15
AWG Stranded Wire	12AWG	12AWG	12AWG	12AWG	14AWG

(Not suitable for domestic applications above 50V)