

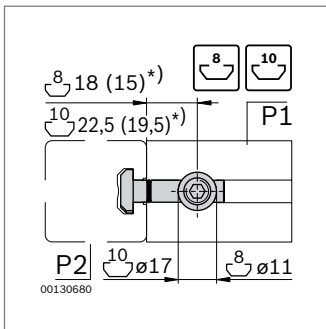
Quick connector, 8/10 mm slot, 90° Cover cap



- ▶ Tie rod head rotated at a 90° angle to the connector sleeve
- ▶ Profile finishing:
blind hole DI, DB11, DB17 or through hole DI, D11, D17

Optional accessories:

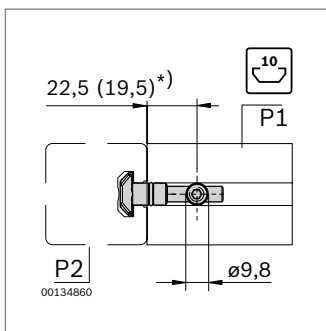
- ▶ Anti-torsion element (p. 3-41)
- ▶ Radial compensation (p. 2-85)
- ▶ Drilling jig (p. 14-2)
- ▶ Cover cap



| Slot | F_{max} | M_{max} |
|---------|-----------|-----------|
| 8 / 8 | 500 N | 40 Nm |
| 10 / 10 | 4000 N | 140 Nm |

*) With the use of radial compensation

| Quick connector, 90° | P1 / P2 | D | ESD | No. |
|--------------------------|---------|------|-----|-------------------------|
| | | (mm) | | |
| steel; galvanized | 8 / 8 | 11 | | 10 3 842 535 465 |
| | 10 / 10 | 17 | | 10 3 842 535 466 |
| steel, stainless | 8 / 8 | 11 | | 10 3 842 548 937 |
| | 10 / 10 | 17 | | 10 3 842 548 938 |

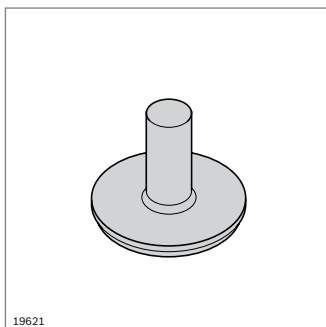


| Slot | F_{max} | M_{max} |
|---------|-----------|-----------|
| 10 / 10 | 800 N | 50 Nm |

*) With the use of radial compensation

| Quick connector 90°, connector sleeve D = 9.8 | P1 / P2 | D | ESD | No. |
|--|---------|-------------------|-----|-------------------------|
| | | (mm) | | |
| steel; galvanized | 10 / 10 | 9.8 ¹⁾ | | 10 3 842 541 410 |

¹⁾ No standard hole in modular dimensions 40, 50 and 60, target distance from profile end: 22.5mm



| Cover cap | D (mm) | No. |
|-----------|--------|--------------------------|
| | 11 | 100 3 842 538 563 |
| | 17 | 100 3 842 538 564 |

Material: PE, light gray RAL 7035