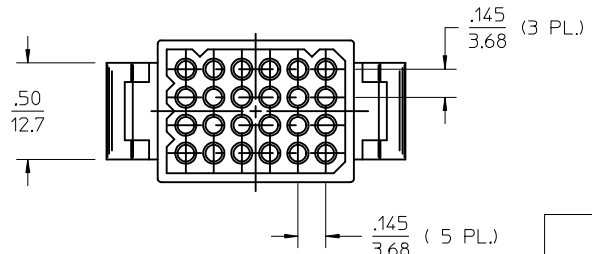
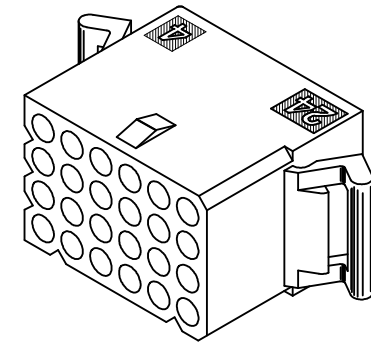
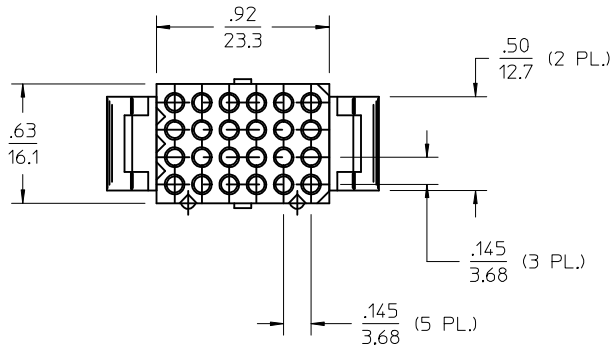
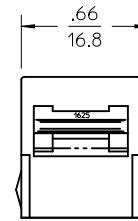
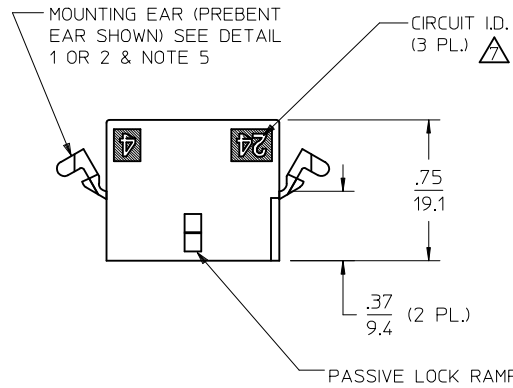
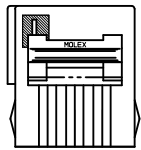
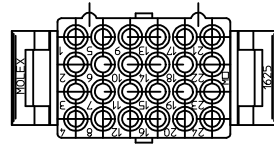


PLUG HOUSING



PK SPEC EC NO: UCP2015-0466 DRWN: JDFOX 2014/08/07 CHKD: MKIPPER 2014/08/07 APPR: FSMITH 2014/08/14	QUALITY SYMBOLS 	GENERAL TOLERANCES (UNLESS SPECIFIED)		DIMENSION STYLE IN/MM	SCALE 2:1	DESIGN UNITS INCH	THIRD ANGLE PROJECTION		
		4 PLACES ± --- ± ---	3 PLACES ± --- ± .010	DRAWN BY JDFOX	DATE 2014/08/07	TITLE .062/(157) HOUSINGS PLUG AND RECEPTACLE 24 CIRCUIT			
		2 PLACES ± 0.25 ± .014	1 PLACE ± 0.36 ± ---	CHECKED BY MKIPPER	DATE 2014/08/07	APPROVED BY molex			
		0 PLACE ± --- ± ---	ANGULAR ±1/2°	APPROVED BY FSMITH	DATE 2014/08/14	MATERIAL NO. SEE CHART	DOCUMENT NO. SD-1625-24*	SHEET NO. 1 OF 3	
P1	DRAFT WHERE APPLICABLE MUST REMAIN WITHIN DIMENSIONS	SIZE C		THIS DRAWING CONTAINS INFORMATION THAT IS PROPRIETARY TO MOLEX INCORPORATED AND SHOULD NOT BE USED WITHOUT WRITTEN PERMISSION					



RECEPTACLE HOUSING

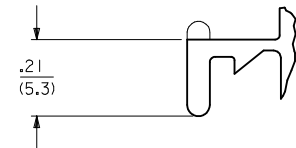
SEE SHEET 1 EC NO: UCP2015-0466 DRWN:JDFOX 2014/08/07 CHKD:MKIPPER 2014/08/07 APPR:FSMITH 2014/08/14 REV	QUALITY SYMBOLS	GENERAL TOLERANCES (UNLESS SPECIFIED)		DIMENSION STYLE	SCALE	DESIGN UNITS	THIRD ANGLE PROJECTION
	▽=0	mm	INCH	IN/MM	2:1	INCH	
	▽=0	4 PLACES ± ---	± ---	DRAWN BY	DATE	TITLE	
	▽=0	3 PLACES ± ---	± .010	JDFOX	2014/08/07	.062/(157) HOUSINGS PLUG AND RECEPTACLE 24 CIRCUIT	
	2 PLACES ± 0.25	± .014	CHECKED BY	DATE	molex		
	1 PLACE ± 0.36	± ---	MKIPPER	2014/08/07			
	0 PLACE ± ---	± ---	APPROVED BY	DATE			
			FSMITH	2014/08/14	MATERIAL NO.	DOCUMENT NO.	SHEET NO.
			ANGULAR ±1/2°	SEE CHART		SD-1625-24*	2 OF 3
			DRAFT WHERE APPLICABLE MUST REMAIN WITHIN DIMENSIONS	THIS DRAWING CONTAINS INFORMATION THAT IS PROPRIETARY TO MOLEX INCORPORATED AND SHOULD NOT BE USED WITHOUT WRITTEN PERMISSION			

PLUG		RECEPTACLE	
PART NO.	ENG. NO.	PART NO.	ENG. NO.
03-06-2241	I625-24P	03-06-1241	I625-24R
03-06-2242	I625-24P I	03-06-6241	I625-24RBK
03-06-7241	I625-24PBK		
03-06-7242	I625-24P IBK		

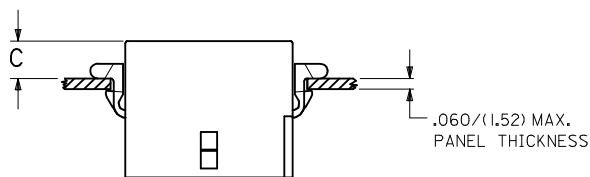
LEGEND:
1625-24****
 CIRCUIT SIZE
 P = PLUG
 R = RECEPTACLE

BLANK = WITH MOUNTING EARS
 I = WITHOUT EARS

COLOR: _____
 BLANK = NATURAL COLOR
 AM = AMBER BK = BLACK BU = BLUE
 BN = BROWN GY = GRAY GN = GREEN
 OR = ORANGE RD = RED YW = YELLOW

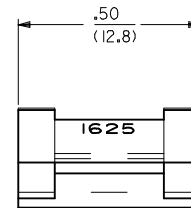


DETAIL 1
 .062/(1.57) STANDARD MOUNTING EAR
 (SCALE 4:1)



RECOMMENDED HOLE PATTERN

RECEP.	.1079 (27.41)	.715 (18.16)	.22 (5.5)	.22 (5.7)
PLUG	1.182 (30.02)	.765 (19.43)	.24 (6.0)	.24 (6.2)
PART	DIM. A	DIM. B	DIM. C (STANDARD EAR)	DIM. C (PREBEND EAR)



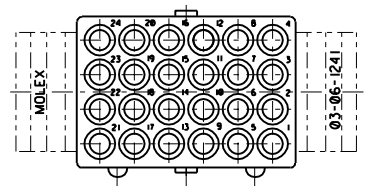
DETAIL 2
 .062/(1.57) PREBEND MOUNTING EAR
 (SCALE 4:1)

NOTES:

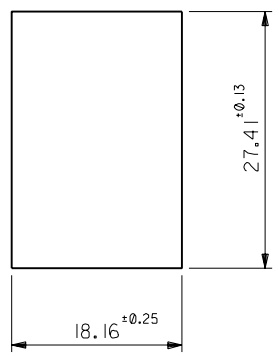
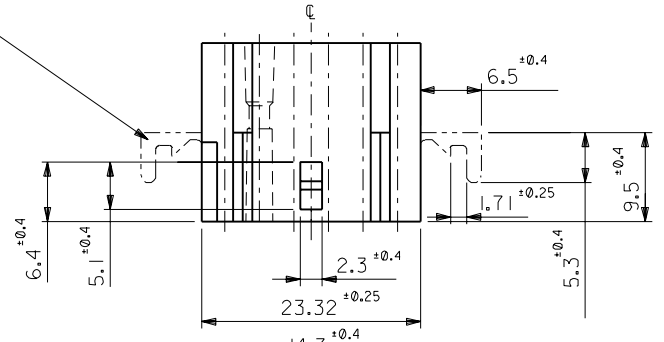
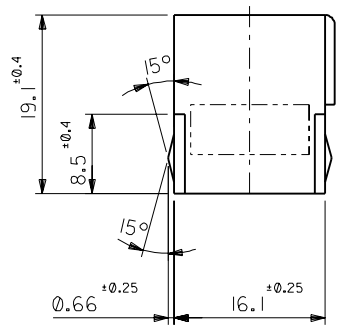
- MATERIAL: NYLON TYPE 6/6 , UL94V-2, COLOR: SEE LEGEND.
- FINISH: NONE.
- MOLEX PRODUCT SPEC PS-02-06 APPLIES.
- PACKAGING SPECIFICATION: PK-1625-003.
- WHERE DENOTED IN CHART, TOOLS ARE BUILT WITH PREBEND MOUNTING EARS PER DETAIL 2 AND SUPERSEDE ALL TOOLS PREVIOUSLY BUILT WITH THE STANDARD MOUNTING EAR.
- THIS HOUSING FOR USE WITH .062/(1.57) DIA. TERMINALS.
- CIRCUIT I.D. NUMBERS ON HOUSING APPEAR ON PART FROM TOOLS BUILT AFTER 8/5/91.
- PARTS CONFORM TO CLASS B REQUIREMENTS OF COSMETIC SPECIFICATION PS-45499-002.

SEE SHEET 1 EC NO: UCP2015-0466 DRWN: JDFOX 2014/08/07 CHKD: MKIPPER 2014/08/07 APPR: FSMITH 2014/08/14	QUALITY SYMBOLS = 0 = 0 = 0	GENERAL TOLERANCES (UNLESS SPECIFIED)		DIMENSION STYLE IN/MM		SCALE 2:1	DESIGN UNITS INCH	THIRD ANGLE PROJECTION	
		4 PLACES ± --- ± --- 3 PLACES ± --- ± .010 2 PLACES ± 0.25 ± .014 1 PLACE ± 0.36 ± --- 0 PLACE ± --- ± ---		DRAWN BY DATE JDFOX 2014/08/07 CHECKED BY DATE MKIPPER 2014/08/07 APPROVED BY DATE FSMITH 2014/08/14		.062/(1.57) HOUSINGS PLUG AND RECEPTACLE 24 CIRCUIT			
		ANGULAR ±1/2°		MATERIAL NO. SEE CHART		DOCUMENT NO. SD-1625-24*		SHEET NO. 3 OF 3	
		DRAFT WHERE APPLICABLE MUST REMAIN WITHIN DIMENSIONS				THIS DRAWING CONTAINS INFORMATION THAT IS PROPRIETARY TO MOLEX INCORPORATED AND SHOULD NOT BE USED WITHOUT WRITTEN PERMISSION			

MM DIMENSIONS IN METRIC DO NOT SCALE DRAWING



パネル取付耳 (表参照)
MTG. EARS(SEE CHART)



パネル取付穴寸法 (厚さ 1.52最大)
RECOMMENDED PANEL HOLE DIMENSION (THK. 1.52 MAX)

注記
NOTE

材質 : ナイロン66, 94V-2
MATERIAL: NYLON66, 94V-2

1625-24R	03-06-1241	有 WITH
ENG. NO.	PART NO.	MTG. EARS

材料 MATERIAL	図中参照 REFER TO DRAWING
仕上げ FINISH	—
適用電線範囲 WIRE RANGE	—
被覆外径 INS. RANGE	—
DRAWN BY '96/07/03 H.IIJIMA	CHK'D BY '96/07/03 M.FUKUSHIMA
APP'D BY '96/07/03 M.MENOMOTO	尺度 SCALE 2 : 1
再作図 REDRAWN	再作日付 REDATE
変更内容 REVISION RECORD	日付 DATE
記号 LTR	DR. CHK.
股公差 GENERAL TOLERANCES	

MOLEX-JAPAN CO.,LTD. 日本モレックス株式会社	
REVISE ONLY ON CAD SYSTEM	
TITLE 名称	
.062 DIA. 24 CIRCUITS RECEPT. HOUSING	
DWG. NO.	REV
SD-1625-24R*	C