

**Professionally approved products.**

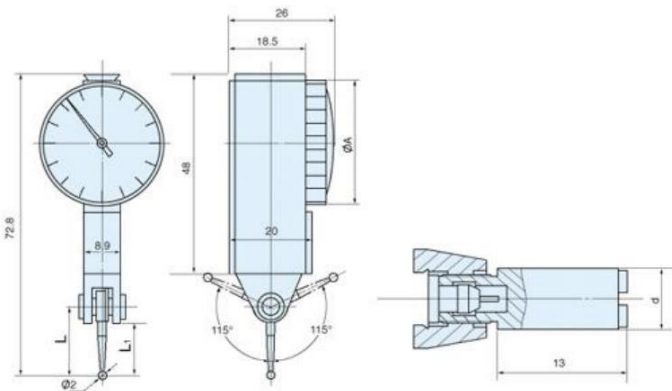
## Datasheet

### RS Lever Dial Indicator, 0 → 0.8 mm

RS Stock 725-5670



#### Dimensions: (mm)



#### Specification:

- High quality brass main bodies, high resistance to magnetism
- Jewelled, vibration proof, durable
- Pivot ball bearing
- Carbide, jewelball or steel contact point
- Three dovetails
- Description: Dial Test Indicator
- Specification: 0-0.8mm
- Resolution: 0.002mm
- Accuracy: 0.008mm