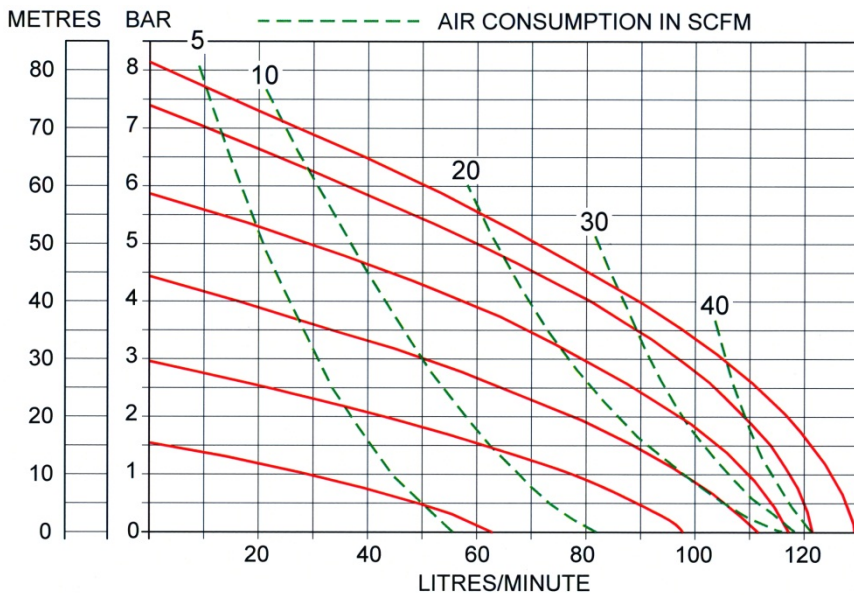
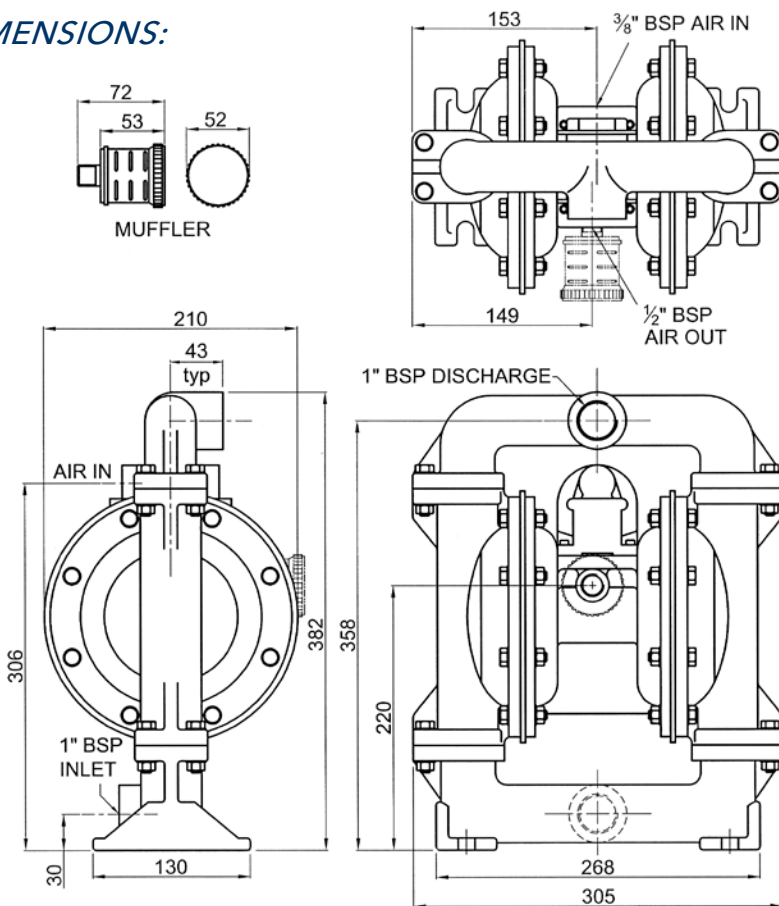


PERFORMANCE:



DIMENSIONS:



MATERIALS OF CONSTRUCTION:

WEIGHT: 14.7 Kg

BODY	DIAPHRAGMS	BALL VALVES	VALVE SEATS	VALVE SEAT 'O' RINGS
Aluminium	Geolast	Geolast	Geolast	Neoprene

OTHER ELASTOMERS AVAILABLE



TEP132-AG
1" BSP
AIR OPERATED
DOUBLE DIAPHRAGM
PUMP



- ◆ Robust design
- ◆ Stall free performance
- ◆ Self-priming
- ◆ Can run dry without damage
- ◆ Oil free - no contamination
- ◆ Test certificate with every pump