

### FEATURES

#### Low power dissipation

**AD7988-5: 3.5 mW @ 500 kSPS**

**AD7988-1: 700 μW @ 100 kSPS**

#### 16-bit resolution with no missing codes

**Throughput: 100 kSPS/500 kSPS options**

**INL: ±0.6 LSB typical, ±1.25 LSB maximum**

**SINAD: 91.5 dB @ 10 kHz**

**THD: -114 dB @ 10 kHz**

#### Pseudo differential analog input range

**0 V to  $V_{REF}$  with  $V_{REF}$  from 2.5 V to 5.5 V**

**Any input range and easy to drive with the [ADA4841-1](#)**

#### No pipeline delay

**Single-supply 2.5 V operation with 1.8 V/2.5 V/3 V/5 V logic interface**

**SPI-/QSPI-/MICROWIRE™-/DSP-compatible serial interface**

**Daisy-chain multiple ADCs**

**10-lead MSOP and 10-lead, 3 mm × 3 mm LFCSP (QFN), same space as SOT-23**

**Wide operating temperature range: -40°C to +125°C**

### APPLICATIONS

Battery-powered equipment

Low power data acquisition systems

Portable medical instruments

ATE equipment

Data acquisitions

Communications

### GENERAL DESCRIPTION

The [AD7988-1/AD7988-5](#) are 16-bit, successive approximation, analog-to-digital converters (ADC) that operate from a single power supply, VDD. The [AD7988-1](#) offers a 100 kSPS throughput, and the [AD7988-5](#) offers a 500 kSPS throughput. They are low power, 16-bit sampling ADCs with a versatile serial interface port. On the CNV rising edge, they sample an analog input, IN+, between 0 V to  $V_{REF}$  with respect to a ground sense, IN-. The reference voltage, REF, is applied externally and can be set independent of the supply voltage, VDD.

The SPI-compatible serial interface also features the ability to daisy-chain several ADCs on a single 3-wire bus using the SDI input. It is compatible with 1.8 V, 2.5 V, 3 V, or 5 V logic using the separate supply, VIO.

The [AD7988-1/AD7988-5](#) generics are housed in a 10-lead MSOP or a 10-lead LFCSP (QFN) with operation specified from -40°C to +125°C.

Table 1. MSOP, LFCSP (QFN) 14-/16-/18-Bit PulSAR® ADCs

| Bits            | 100 kSPS  | 250 kSPS  | 400 kSPS to 500 kSPS   | ≥1000 kSPS   | ADC Driver  |
|-----------------|---|---|--|--|---|
| 18 <sup>1</sup> |   | <a href="#">AD7691</a> <sup>2</sup>                           | <a href="#">AD7690</a> <sup>2</sup>  | <a href="#">AD7982</a> <sup>2</sup><br><a href="#">AD7984</a> <sup>2</sup> | <a href="#">ADA4941-1</a><br><a href="#">ADA4841-1</a>                              |
| 16 <sup>1</sup> | <a href="#">AD7684</a>  | <a href="#">AD7687</a> <sup>2</sup>                           | <a href="#">AD7688</a> <sup>2</sup><br><a href="#">AD7693</a> <sup>2</sup>   |  | <a href="#">ADA4941-1</a><br><a href="#">ADA4841-1</a>                              |
| 16 <sup>3</sup> | <a href="#">AD7680</a><br><a href="#">AD7683</a><br><a href="#">AD7988-1</a> <sup>2</sup> | <a href="#">AD7685</a> <sup>2</sup><br><a href="#">AD7694</a> | <a href="#">AD7686</a> <sup>2</sup><br><a href="#">AD7988-5</a> <sup>2</sup> | <a href="#">AD7980</a> <sup>2</sup>  | <a href="#">ADA4841-1</a><br><a href="#">ADA4841-1</a><br><a href="#">ADA4841-1</a> |
| 14 <sup>3</sup> | <a href="#">AD7940</a>  | <a href="#">AD7942</a> <sup>2</sup>                           | <a href="#">AD7946</a> <sup>2</sup>  |  | <a href="#">ADA4841-1</a>   |

<sup>1</sup> True differential.

<sup>2</sup> Pin-for-pin compatible.

<sup>3</sup> Pseudo differential.

### TYPICAL APPLICATION DIAGRAM

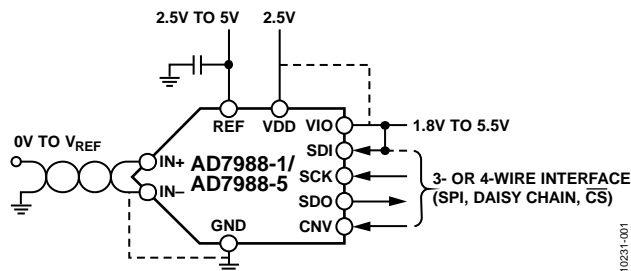


Figure 1.

#### Rev. C

Information furnished by Analog Devices is believed to be accurate and reliable. However, no responsibility is assumed by Analog Devices for its use, nor for any infringements of patents or other rights of third parties that may result from its use. Specifications subject to change without notice. No license is granted by implication or otherwise under any patent or patent rights of Analog Devices. Trademarks and registered trademarks are the property of their respective owners.

One Technology Way, P.O. Box 9106, Norwood, MA 02062-9106, U.S.A.

Tel: 781.329.4700

[www.analog.com](http://www.analog.com)

Fax: 781.461.3113

©2012 Analog Devices, Inc. All rights reserved.

## TABLE OF CONTENTS

|  |    |  |    |
|--|----|--|----|
| Features .....                                     | 1  | Analog Inputs.....                               | 16 |
| Applications.....                                  | 1  | Driver Amplifier Choice .....                    | 16 |
| General Description .....                          | 1  | Voltage Reference Input .....                    | 17 |
| Typical Application Diagram .....                  | 1  | Power Supply.....                                | 17 |
| Revision History .....                             | 2  | Digital Interface .....                          | 17 |
| Specifications.....                                | 3  | $\overline{\text{CS}}$ Mode, 3-Wire.....         | 18 |
| Timing Specifications .....                        | 5  | $\overline{\text{CS}}$ Mode 4-Wire.....          | 19 |
| Absolute Maximum Ratings.....                      | 7  | Chain Mode .....                                 | 20 |
| ESD Caution.....                                   | 7  | Applications Information .....                   | 21 |
| Pin Configurations and Function Descriptions ..... | 8  | Interfacing to Blackfin® DSP .....               | 21 |
| Terminology .....                                  | 9  | Layout .....                                     | 21 |
| Typical Performance Characteristics .....          | 10 | Evaluating the Performance of the AD7988-x ..... | 21 |
| Theory of Operation .....                          | 14 | Outline Dimensions .....                         | 22 |
| Circuit Information.....                           | 14 | Ordering Guide .....                             | 23 |
| Converter Operation.....                           | 14 |  |    |
| Typical Connection Diagram.....                    | 15 |  |    |

## REVISION HISTORY

|   |    |
|---|----|
| <b>8/12—Rev. B to Rev. C</b>              |    |
| Changes to Ordering Guide .....           | 23 |
| <b>5/12—Rev. A to Rev. B</b>              |    |
| Changes to Table 3.....                   | 4  |
| Updated Outline Dimensions .....          | 22 |
| <b>2/12—Rev. 0 to Rev. A</b>              |    |
| Added LFCSP Thermal Impedance Values..... | 7  |
| Updated Outline Dimensions .....          | 23 |
| Changes to Ordering Guide .....           | 23 |
| <b>2/12—Revision 0: Initial Version</b>   |    |

## SPECIFICATIONS

VDD = 2.5 V, VIO = 2.3 V to 5.5 V, VREF = 5 V, TA = -40°C to +125°C, unless otherwise noted.

Table 2.

| Parameter                             | Test Conditions/Comments                                   | Min                           | Typ   | Max        | Unit             |
|---------------------------------------|--|-------------------------------|-------|------------|------------------|
| RESOLUTION                            |  | 16                            |       |            | Bits             |
| ANALOG INPUT                          |  |                               |       |            |                  |
| Voltage Range                         | IN+ – IN–  | 0                             |       | VREF       | V                |
| Absolute Input Voltage                | IN+  | -0.1                          |       | VREF + 0.1 | V                |
|                                       | IN–  | -0.1                          |       | +0.1       | V                |
| Analog Input CMRR                     | fIN = 1 kHz  |                               | 60    |            | dB               |
| Leakage Current at 25°C               | Acquisition phase  |                               | 1     |            | nA               |
| Input Impedance                       |  | See the Analog Inputs section |       |            |                  |
| ACCURACY                              |  |                               |       |            |                  |
| No Missing Codes                      |  | 16                            |       |            | Bits             |
| Differential Linearity Error          | VREF = 5 V   | -0.9                          | ±0.4  | +0.9       | LSB <sup>1</sup> |
|                                       | VREF = 2.5 V   |                               | ±0.55 |            | LSB <sup>1</sup> |
| Integral Linearity Error              | VREF = 5 V   | -1.25                         | ±0.6  | +1.25      | LSB <sup>1</sup> |
|                                       | VREF = 2.5 V   |                               | ±0.65 |            | LSB <sup>1</sup> |
| Transition Noise                      | VREF = 5 V   |                               | 0.6   |            | LSB <sup>1</sup> |
|                                       | VREF = 2.5 V   |                               | 1.0   |            | LSB <sup>1</sup> |
| Gain Error, TMIN to TMAX <sup>2</sup> |  |                               | ±2    |            | LSB <sup>1</sup> |
| Gain Error Temperature Drift          |  |                               | ±0.35 |            | ppm/°C           |
| Zero Error, TMIN to TMAX <sup>2</sup> |  | -0.5                          | ±0.08 | +0.5       | mV               |
| Zero Temperature Drift                |  |                               | 0.54  |            | ppm/°C           |
| Power Supply Sensitivity              | VDD = 2.5 V ± 5%   |                               | ±0.1  |            | LSB <sup>1</sup> |
| THROUGHPUT                            |  |                               |       |            |                  |
| <b>AD7988-1</b>                       |  |                               |       |            |                  |
| Conversion Rate                       | VIO ≥ 2.3 V up to 85°C, VIO ≥ 3.3 V above 85°C up to 125°C | 0                             |       | 100        | kSPS             |
| Transient Response                    | Full-scale step  |                               |       | 500        | ns               |
| <b>AD7988-5</b>                       |  |                               |       |            |                  |
| Conversion Rate                       | VIO ≥ 2.3 V up to 85°C, VIO ≥ 3.3 V above 85°C up to 125°C | 0                             |       | 500        | kSPS             |
| Transient Response                    | Full-scale step  |                               |       | 400        | ns               |
| AC ACCURACY                           |  |                               |       |            |                  |
| Dynamic Range                         | VREF = 5 V   |                               | 92    |            | dB <sup>3</sup>  |
|                                       | VREF = 2.5 V   |                               | 87    |            | dB <sup>3</sup>  |
| Oversampled Dynamic Range             | fO = 10 kSPS   |                               | 111   |            | dB <sup>3</sup>  |
| Signal-to-Noise Ratio, SNR            | fIN = 10 kHz, VREF = 5 V                                   | 90                            | 91    |            | dB <sup>3</sup>  |
|                                       | fIN = 10 kHz, VREF = 2.5 V                                 |                               | 86.5  |            | dB <sup>3</sup>  |
| Spurious-Free Dynamic Range, SFDR     | fIN = 10 kHz   |                               | -110  |            | dB <sup>3</sup>  |
| Total Harmonic Distortion, THD        | fIN = 10 kHz   |                               | -114  |            | dB <sup>3</sup>  |
| Signal-to-(Noise + Distortion), SINAD | fIN = 10 kHz, VREF = 5 V                                   |                               | 91.5  |            | dB <sup>3</sup>  |
|                                       | fIN = 10 kHz, VREF = 2.5 V                                 |                               | 87.0  |            | dB <sup>3</sup>  |

<sup>1</sup> LSB means least significant bit. With the 5 V input range, 1 LSB is 76.3 μV.

<sup>2</sup> See the Terminology section. These specifications include full temperature range variation, but not the error contribution from the external reference.

<sup>3</sup> All specifications in dB are referred to a full-scale input FSR. Tested with an input signal at 0.5 dB below full scale, unless otherwise specified.

VDD = 2.5 V, VIO = 2.3 V to 5.5 V, V<sub>REF</sub> = 5 V, T<sub>A</sub> = -40°C to +125°C, unless otherwise noted.

Table 3.

| Parameter                                  | Test Conditions/Comments             | Min   | Typ  | Max       | Unit      |
|--|--------------------------------------|---|------|-----------|-----------|
| REFERENCE                                  |                                      |   |      |           |           |
| Voltage Range                              |                                      | 2.4   |      | 5.1       | V         |
| Load Current                               | V <sub>REF</sub> = 5 V               |   | 250  |           | μA        |
| SAMPLING DYNAMICS                          |                                      |   |      |           |           |
| -3 dB Input Bandwidth                      |                                      |   | 10   |           | MHz       |
| Aperture Delay                             | VDD = 2.5 V                          |   | 2.0  |           | ns        |
| DIGITAL INPUTS                             |                                      |   |      |           |           |
| Logic Levels                               |                                      |   |      |           |           |
| V <sub>IL</sub>                            | VIO > 3 V                            | -0.3  |      | 0.3 × VIO | V         |
| V <sub>IH</sub>                            | VIO > 3 V                            | 0.7 × VIO   |      | VIO + 0.3 | V         |
| V <sub>IL</sub>                            | VIO ≤ 3 V                            | -0.3  |      | 0.1 × VIO | V         |
| V <sub>IH</sub>                            | VIO ≤ 3 V                            | 0.9 × VIO   |      | VIO + 0.3 | V         |
| I <sub>IL</sub>                            |                                      | -1  |      | +1        | μA        |
| I <sub>IH</sub>                            |                                      | -1  |      | +1        | μA        |
| DIGITAL OUTPUTS                            |                                      |   |      |           |           |
| Data Format                                |                                      | Serial 16 bits straight binary                                      |      |           |           |
| Pipeline Delay                             |                                      | Conversion results available immediately after completed conversion |      |           |           |
| V <sub>OL</sub>                            | I <sub>SINK</sub> = 500 μA           |   |      | 0.4       | V         |
| V <sub>OH</sub>                            | I <sub>SOURCE</sub> = -500 μA        | VIO - 0.3   |      |           | V         |
| POWER SUPPLIES                             |                                      |   |      |           |           |
| VDD  |                                      | 2.375   | 2.5  | 2.625     | V         |
| VIO  | Specified performance                | 2.3   |      | 5.5       | V         |
| VIO Range                                  |                                      | 1.8   |      | 5.5       | V         |
| Standby Current <sup>1, 2</sup>            | VDD and VIO = 2.5 V, 25°C            |   | 0.35 |           | nA        |
| <a href="#">AD7988-1</a> Power Dissipation | 10 kSPS throughput                   |   | 70   |           | μW        |
|  | 100 kSPS throughput                  |   | 700  |           | μW        |
| <a href="#">AD7988-5</a> Power Dissipation | 500 kSPS throughput                  |   |      | 1         | mW        |
| Energy per Conversion                      |                                      |   | 7.0  | 5         | mW        |
|  |                                      |   |      |           | nJ/sample |
| TEMPERATURE RANGE                          |                                      |   |      |           |           |
| Specified Performance                      | T <sub>MIN</sub> to T <sub>MAX</sub> | -40   |      | +125      | °C        |

<sup>1</sup> With all digital inputs forced to VIO or GND as required.

<sup>2</sup> During the acquisition phase.

**TIMING SPECIFICATIONS**

VDD = 2.37 V to 2.63 V, VIO = 3.3 V to 5.5 V, -40°C to +125°C unless otherwise stated. See Figure 2 and Figure 3 for load conditions.

**Table 4.**

| Parameter  | Symbol         | Min  | Typ | Max | Unit    |
|--|----------------|------|-----|-----|---------|
| <b>AD7988-1</b>  |                |      |     |     |         |
| Throughput Rate  |                |      |     | 100 | kHz     |
| Conversion Time: CNV Rising Edge to Data Available                                     | $t_{CONV}$     |      |     | 9.5 | $\mu$ s |
| Acquisition Time   | $t_{ACQ}$      | 500  |     |     | ns      |
| Time Between Conversions   | $t_{CYC}$      | 10   |     |     | $\mu$ s |
| <b>AD7988-5</b>  |                |      |     |     |         |
| Throughput Rate  |                |      |     | 500 | kHz     |
| Conversion Time: CNV Rising Edge to Data Available                                     | $t_{CONV}$     |      |     | 1.6 | $\mu$ s |
| Acquisition Time   | $t_{ACQ}$      | 400  |     |     | ns      |
| Time Between Conversions   | $t_{CYC}$      | 2    |     |     | $\mu$ s |
| CNV Pulse Width ( $\overline{CS}$ Mode)  | $t_{CNVH}$     | 500  |     |     | ns      |
| SCK Period ( $\overline{CS}$ Mode)   | $t_{SCK}$      |      |     |     |         |
| VIO Above 4.5 V  |                | 10.5 |     |     | ns      |
| VIO Above 3 V  |                | 12   |     |     | ns      |
| VIO Above 2.7 V  |                | 13   |     |     | ns      |
| VIO Above 2.3 V  |                | 15   |     |     | ns      |
| SCK Period (Chain Mode)  | $t_{SCK}$      |      |     |     |         |
| VIO Above 4.5 V  |                | 11.5 |     |     | ns      |
| VIO Above 3 V  |                | 13   |     |     | ns      |
| VIO Above 2.7 V  |                | 14   |     |     | ns      |
| VIO Above 2.3 V  |                | 16   |     |     | ns      |
| SCK Low Time   | $t_{SCKL}$     | 4.5  |     |     | ns      |
| SCK High Time  | $t_{SCKH}$     | 4.5  |     |     | ns      |
| SCK Falling Edge to Data Remains Valid   | $t_{HSDO}$     | 3    |     |     | ns      |
| SCK Falling Edge to Data Valid Delay   | $t_{DSDO}$     |      |     |     |         |
| VIO Above 4.5 V  |                |      |     | 9.5 | ns      |
| VIO Above 3 V  |                |      |     | 11  | ns      |
| VIO Above 2.7 V  |                |      |     | 12  | ns      |
| VIO Above 2.3 V  |                |      |     | 14  | ns      |
| CNV or SDI Low to SDO D15 MSB Valid ( $\overline{CS}$ Mode)                            | $t_{EN}$       |      |     |     |         |
| VIO Above 3 V  |                |      |     | 10  | ns      |
| VIO Above 2.3V   |                |      |     | 15  | ns      |
| CNV or SDI High or Last SCK Falling Edge to SDO High Impedance ( $\overline{CS}$ Mode) | $t_{DIS}$      |      |     | 20  | ns      |
| SDI Valid Setup Time from CNV Rising Edge  | $t_{SSDICNV}$  | 5    |     |     | ns      |
| SDI Valid Hold Time from CNV Rising Edge ( $\overline{CS}$ Mode)                       | $t_{HSDICNV}$  | 2    |     |     | ns      |
| SDI Valid Hold Time from CNV Rising Edge (Chain Mode)                                  | $t_{HSDICNV}$  | 0    |     |     | ns      |
| SCK Valid Setup Time from CNV Rising Edge (Chain Mode)                                 | $t_{SSCKCNV}$  | 5    |     |     | ns      |
| SCK Valid Hold Time from CNV Rising Edge (Chain Mode)                                  | $t_{HSCCKCNV}$ | 5    |     |     | ns      |
| SDI Valid Setup Time from SCK Falling Edge (Chain Mode)                                | $t_{SSDISCK}$  | 2    |     |     | ns      |
| SDI Valid Hold Time from SCK Falling Edge (Chain Mode)                                 | $t_{HSDISCK}$  | 3    |     |     | ns      |

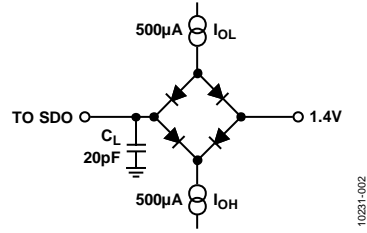
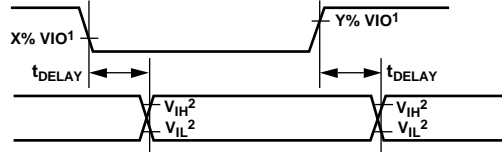


Figure 2. Load Circuit for Digital Interface Timing



<sup>1</sup>FOR  $V_{IO} \leq 3.0V$ ,  $X = 90$  AND  $Y = 10$ ; FOR  $V_{IO} > 3.0V$   $X = 70$ , AND  $Y = 30$ .  
<sup>2</sup>MINIMUM  $V_{IH}$  AND MAXIMUM  $V_{IL}$  USED. SEE DIGITAL INPUTS SPECIFICATIONS IN TABLE 3.

Figure 3. Voltage Levels for Timing

## ABSOLUTE MAXIMUM RATINGS

Table 5.

| Parameter  | Rating                                      |
|--|---|
| Analog Inputs<br>IN+, <sup>1</sup> IN– <sup>1</sup> to GND | –0.3 V to $V_{REF} + 0.3$ V or $\pm 130$ mA |
| Supply Voltage<br>REF, VIO to GND                          | –0.3 V to +6 V                              |
| VDD to GND   | –0.3 V to +3 V                              |
| VDD to VIO   | +3 V to –6 V                                |
| Digital Inputs to GND                                      | –0.3 V to VIO + 0.3 V                       |
| Digital Outputs to GND                                     | –0.3 V to VIO + 0.3 V                       |
| Storage Temperature Range                                  | –65°C to +125°C                             |
| Junction Temperature                                       | 150°C                                       |
| $\theta_{JA}$ Thermal Impedance                            |   |
| 10-Lead MSOP   | 200°C/W                                     |
| 10-Lead LFCSP  | 80°C/W                                      |
| $\theta_{JC}$ Thermal Impedance                            |   |
| 10-Lead MSOP   | 44°C/W                                      |
| 10-Lead LFCSP  | 15°C/W                                      |
| Reflow Soldering   | JEDEC Standard (J-STD-020)                  |

<sup>1</sup> See the Analog Inputs section.

Stresses above those listed under Absolute Maximum Ratings may cause permanent damage to the device. This is a stress rating only; functional operation of the device at these or any other conditions above those indicated in the operational section of this specification is not implied. Exposure to absolute maximum rating conditions for extended periods may affect device reliability.

### ESD CAUTION



**ESD (electrostatic discharge) sensitive device.** Charged devices and circuit boards can discharge without detection. Although this product features patented or proprietary protection circuitry, damage may occur on devices subjected to high energy ESD. Therefore, proper ESD precautions should be taken to avoid performance degradation or loss of functionality.

## PIN CONFIGURATIONS AND FUNCTION DESCRIPTIONS

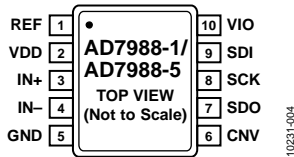
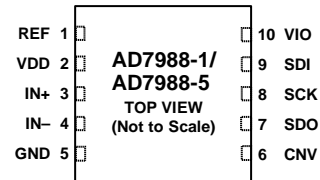


Figure 4. 10-Lead MSOP Pin Configuration



## NOTES

1. THE EXPOSED PAD CAN BE CONNECTED TO GND.

Figure 5. 10-Lead LFCSP (QFN) Pin Configuration

Table 6. Pin Function Descriptions

| Pin No. | Mnemonic | Type <sup>1</sup> | Description   |
|---------|----------|-------------------|---|
| 1       | REF      | AI                | Reference Input Voltage. The $V_{REF}$ range is from 2.4 V to 5.1 V. It is referred to the GND pin. The GND pin should be decoupled closely to the REF pin with a 10 $\mu$ F capacitor.   |
| 2       | VDD      | P                 | Power Supply.   |
| 3       | IN+      | AI                | Analog Input. It is referred to IN-. The voltage range, for example, the difference between IN+ and IN-, is 0 V to $V_{REF}$ .  |
| 4       | IN-      | AI                | Analog Input Ground Sense. Connect to the analog ground plane or to a remote sense ground.  |
| 5       | GND      | P                 | Power Supply Ground.  |
| 6       | CNV      | DI                | Convert Input. This input has multiple functions. On its leading edge, it initiates the conversions and selects the interface mode of the part: chain mode or $\overline{CS}$ mode. In $\overline{CS}$ mode, the SDO pin is enabled when CNV is low. In chain mode, the data should be read when CNV is high.   |
| 7       | SDO      | DO                | Serial Data Output. The conversion result is output on this pin. It is synchronized to SCK.   |
| 8       | SCK      | DI                | Serial Data Clock Input. When the part is selected, the conversion result is shifted out by this clock.   |
| 9       | SDI      | DI                | Serial Data Input. This input provides multiple features. It selects the interface mode of the ADC as follows:<br>Chain mode is selected if this pin is low during the CNV rising edge. In this mode, SDI is used as a data input to daisy-chain the conversion results of two or more ADCs onto a single SDO line. The digital data level on SDI is output on SDO with a delay of 16 SCK cycles.<br>$\overline{CS}$ mode is selected if SDI is high during the CNV rising edge. In this mode, either SDI or CNV can enable the serial output signals when low. |
| 10      | VIO      | P                 | Input/Output Interface Digital Power. Nominally at the same supply as the host interface (1.8 V, 2.5 V, 3 V, or 5 V).   |
|         | EP       |                   | Exposed Pad. The exposed pad can be connected to GND.   |

<sup>1</sup>AI = analog input, DI = digital input, DO = digital output, and P = power.

## TERMINOLOGY

### Integral Nonlinearity Error (INL)

INL refers to the deviation of each individual code from a line drawn from negative full scale through positive full scale. The point used as negative full scale occurs  $\frac{1}{2}$  LSB before the first code transition. Positive full scale is defined as a level  $1\frac{1}{2}$  LSB beyond the last code transition. The deviation is measured from the middle of each code to the true straight line (see Figure 30).

### Differential Nonlinearity Error (DNL)

In an ideal ADC, code transitions are 1 LSB apart. DNL is the maximum deviation from this ideal value. It is often specified in terms of resolution for which no missing codes are guaranteed.

### Offset Error

The first transition should occur at a level  $\frac{1}{2}$  LSB above analog ground (38.1  $\mu$ V for the 0 V to 5 V range). The offset error is the deviation of the actual transition from that point.

### Gain Error

The last transition (from 111 ... 10 to 111 ... 11) should occur for an analog voltage  $1\frac{1}{2}$  LSB below the nominal full scale (4.999886 V for the 0 V to 5 V range). The gain error is the deviation of the actual level of the last transition from the ideal level after the offset is adjusted out.

### Spurious-Free Dynamic Range (SFDR)

SFDR is the difference, in decibels (dB), between the rms amplitude of the input signal and the peak spurious signal.

### Effective Number of Bits (ENOB)

ENOB is a measurement of the resolution with a sine wave input. It is related to SINAD by the following formula:

$$ENOB = (SINAD_{dB} - 1.76)/6.02$$

and is expressed in bits.

### Noise-Free Code Resolution

Noise-free code resolution is the number of bits beyond which it is impossible to distinctly resolve individual codes. It is calculated as

$$Noise\text{-Free Code Resolution} = \log_2(2^N/Peak\text{-to-Peak Noise})$$

and is expressed in bits.

### Effective Resolution

Effective resolution is calculated as

$$Effective\ Resolution = \log_2(2^N/RMS\ Input\ Noise)$$

and is expressed in bits.

### Total Harmonic Distortion (THD)

THD is the ratio of the rms sum of the first five harmonic components to the rms value of a full-scale input signal and is expressed in dB.

### Dynamic Range

Dynamic range is the ratio of the rms value of the full scale to the total rms noise measured with the inputs shorted together. The value for dynamic range is expressed in dB. It is measured with a signal at  $-60$  dBFS to include all noise sources and DNL artifacts.

### Signal-to-Noise Ratio (SNR)

SNR is the ratio of the rms value of the actual input signal to the rms sum of all other spectral components below the Nyquist frequency, excluding harmonics and dc. The value for SNR is expressed in dB.

### Signal-to-(Noise + Distortion) Ratio (SINAD)

SINAD is the ratio of the rms value of the actual input signal to the rms sum of all other spectral components below the Nyquist frequency, including harmonics but excluding dc. The value for SINAD is expressed in dB.

### Aperture Delay

Aperture delay is the measure of the acquisition performance. It is the time between the rising edge of the CNV input and when the input signal is held for a conversion.

### Transient Response

Transient response is the time required for the ADC to accurately acquire its input after a full-scale step function is applied.

TYPICAL PERFORMANCE CHARACTERISTICS

VDD = 2.5 V, V<sub>REF</sub> = 5.0 V, VIO = 3.3 V, unless otherwise noted.

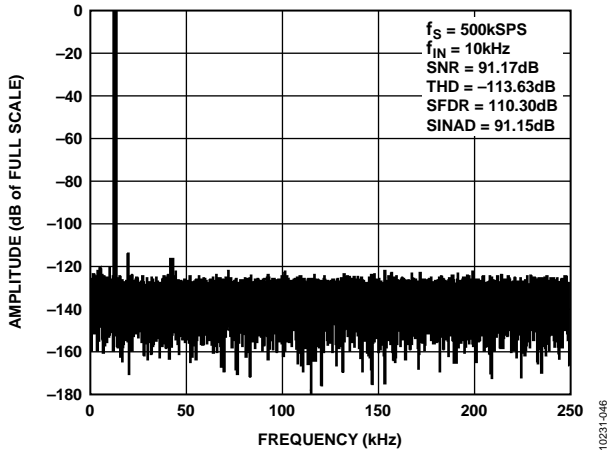


Figure 6. AD7988-5 FFT Plot, V<sub>REF</sub> = 5 V

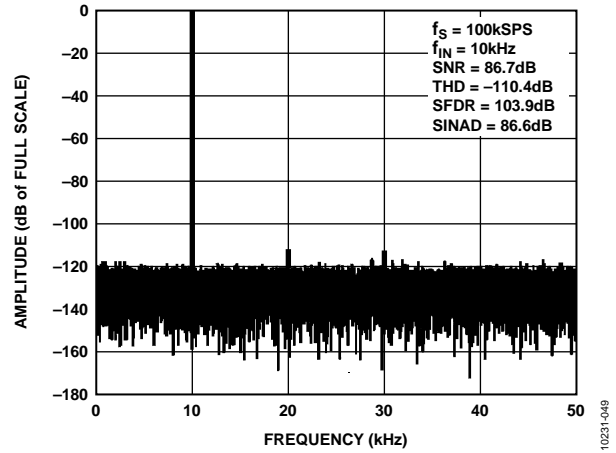


Figure 9. AD7988-1 FFT Plot, V<sub>REF</sub> = 2.5 V

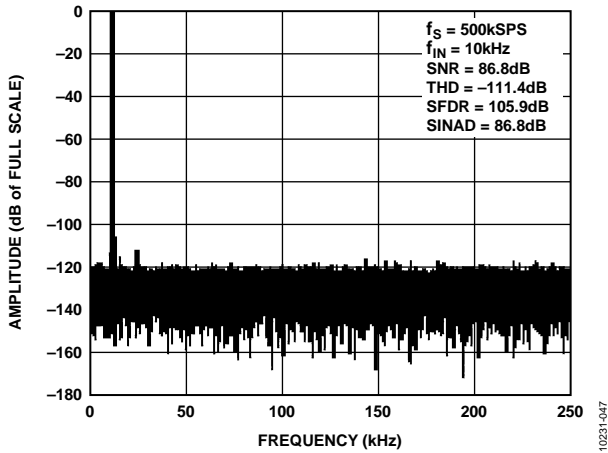


Figure 7. AD7988-5 FFT Plot, V<sub>REF</sub> = 2.5 V

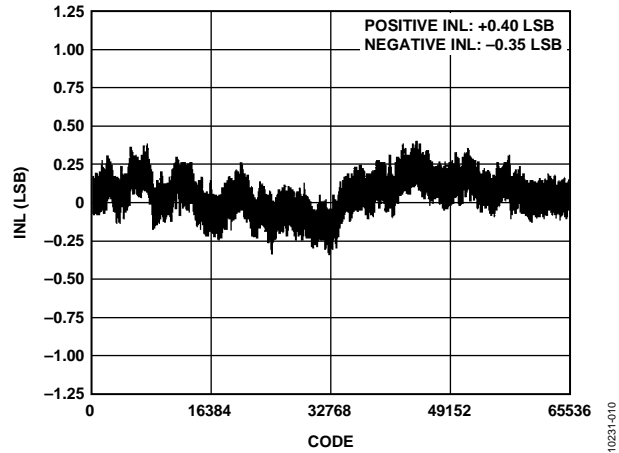


Figure 10. Integral Nonlinearity vs. Code, V<sub>REF</sub> = 5 V

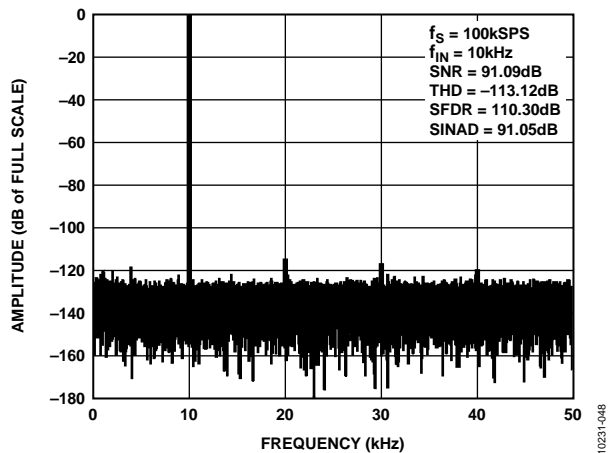


Figure 8. AD7988-1 FFT Plot, V<sub>REF</sub> = 5 V

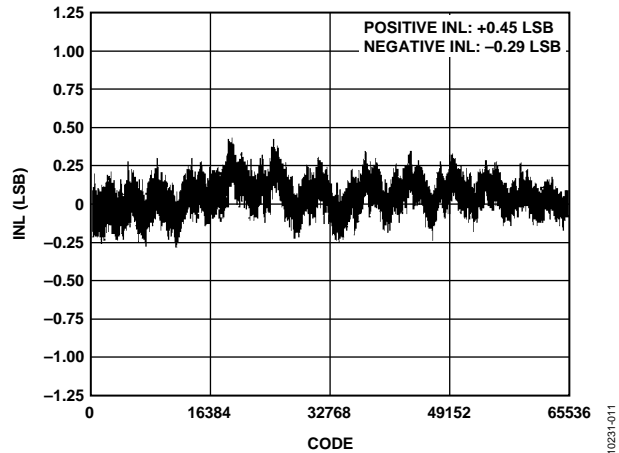


Figure 11. Integral Nonlinearity vs. Code, V<sub>REF</sub> = 2.5 V

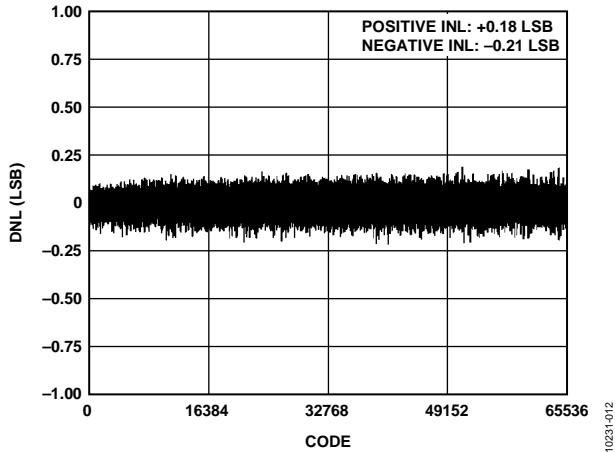


Figure 12. Differential Nonlinearity vs. Code,  $V_{REF} = 5 V$

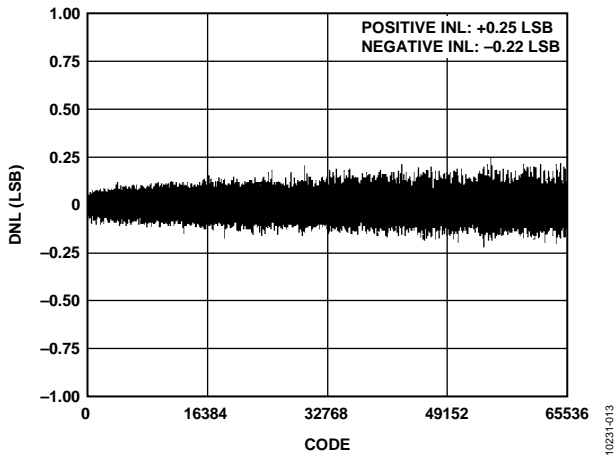


Figure 13. Differential Nonlinearity vs. Code,  $V_{REF} = 2.5 V$

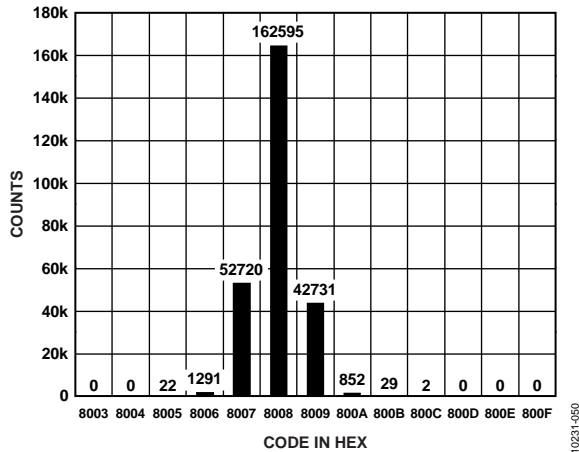


Figure 14. Histogram of a DC Input at the Code Center,  $V_{REF} = 5 V$

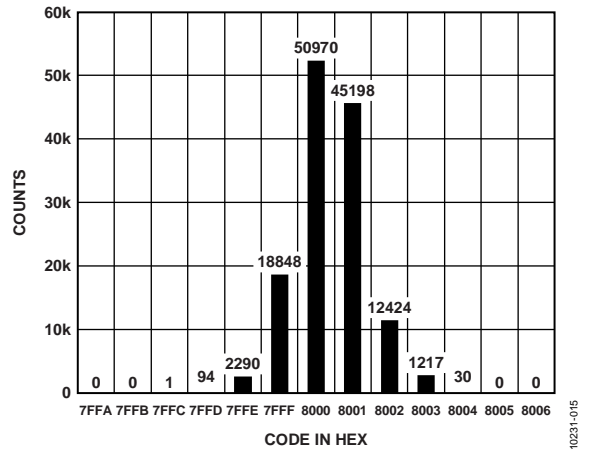


Figure 15. Histogram of a DC Input at the Code Transition,  $V_{REF} = 2.5 V$

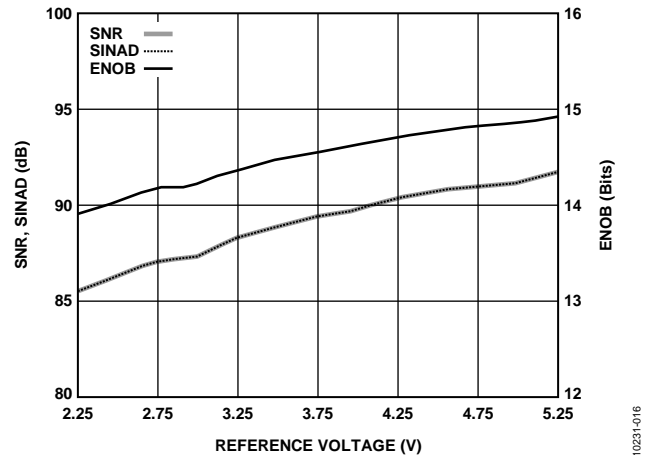


Figure 16. SNR, SINAD, and ENOB vs. Reference Voltage

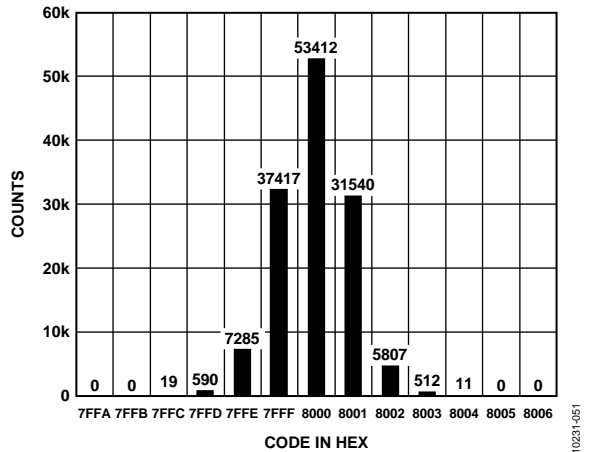


Figure 17. Histogram of a DC Input at the Code Center,  $V_{REF} = 2.5 V$

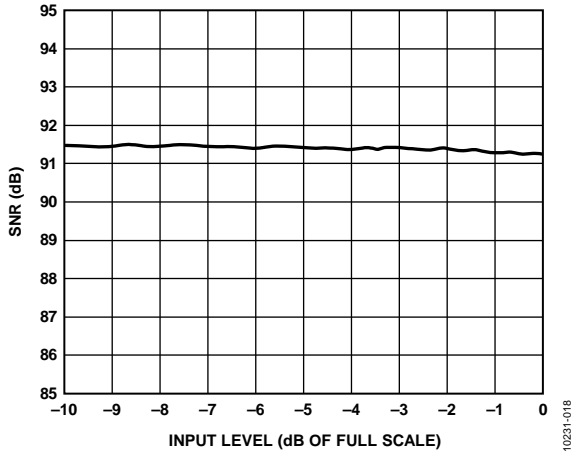


Figure 18. SNR vs. Input Level

10231-018

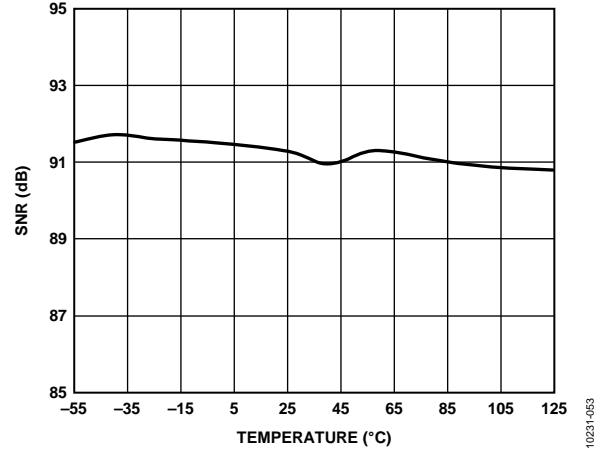


Figure 21. SNR vs. Temperature

10231-053

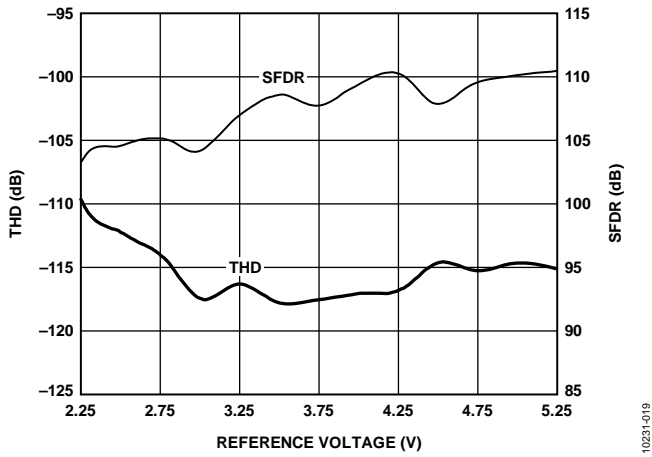


Figure 19. THD, SFDR vs. Reference Voltage

10231-019

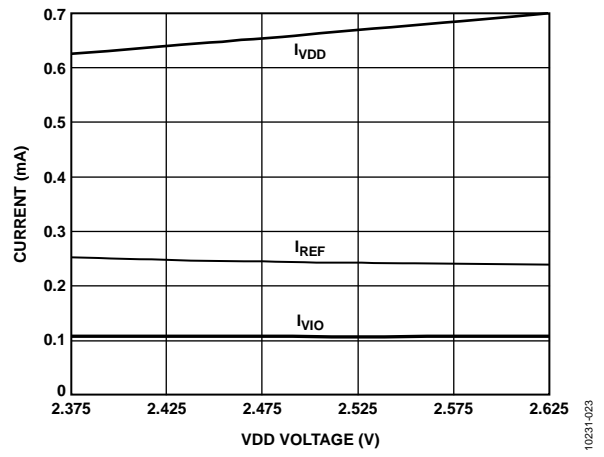


Figure 22. Operating Currents vs. Supply (AD7988-5)

10231-023

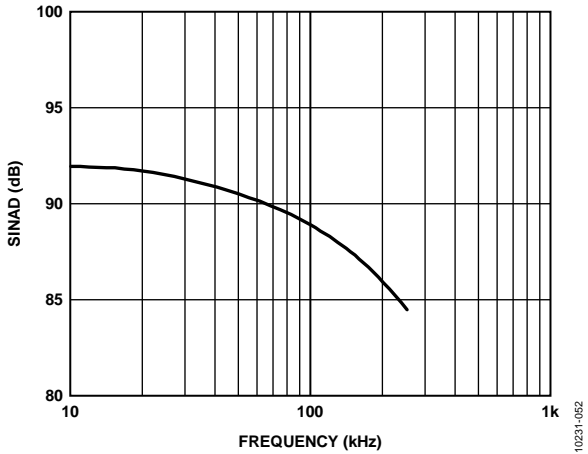


Figure 20. SINAD vs. Frequency

10231-052

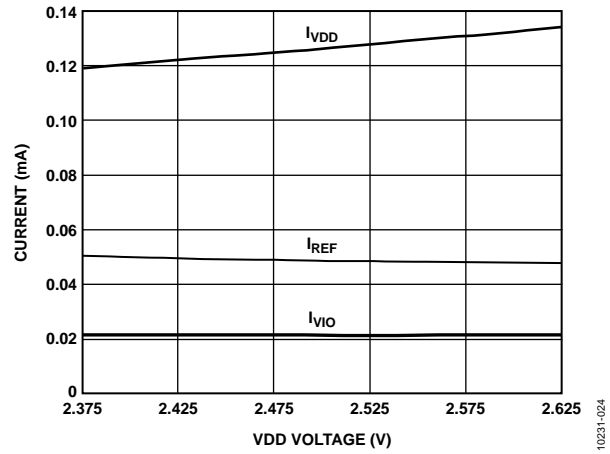


Figure 23. Operating Currents vs. Supply (AD7988-1)

10231-024

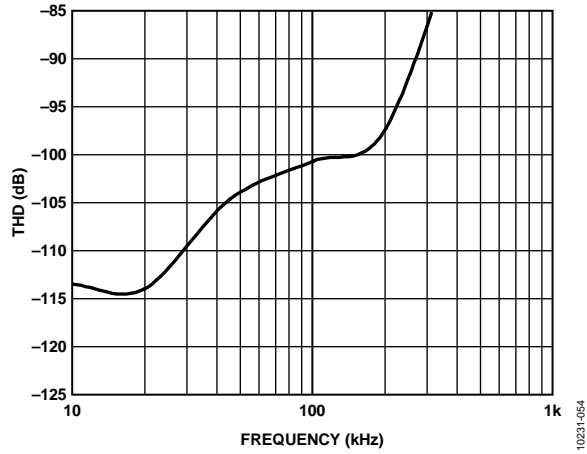


Figure 24. THD vs. Frequency

10231-054

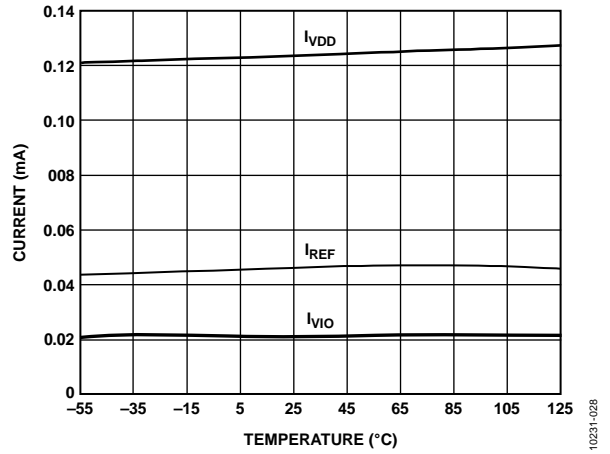


Figure 27. Operating Currents vs. Temperature (AD7988-1)

10231-028

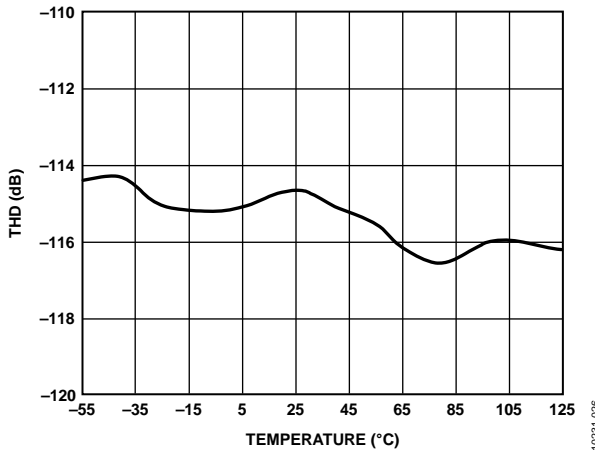


Figure 25. THD vs. Temperature

10231-026

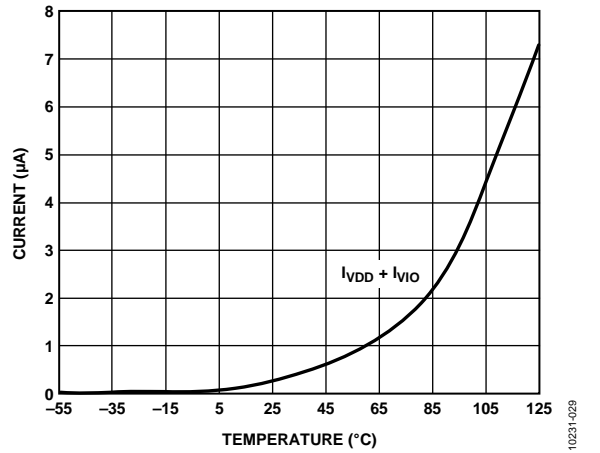


Figure 28. Power-Down Currents vs. Temperature

10231-029

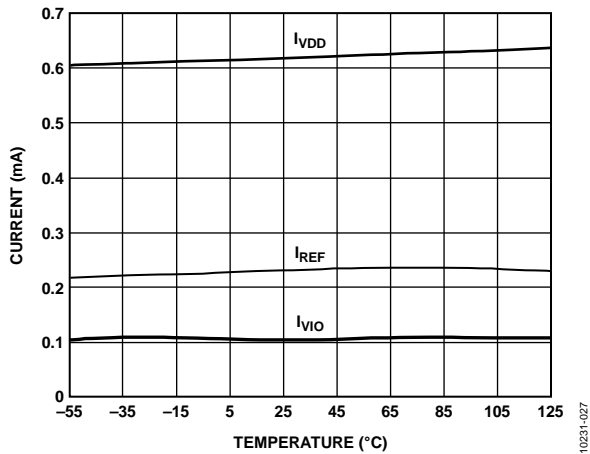


Figure 26. Operating Currents vs. Temperature (AD7988-5)

10231-027

## THEORY OF OPERATION

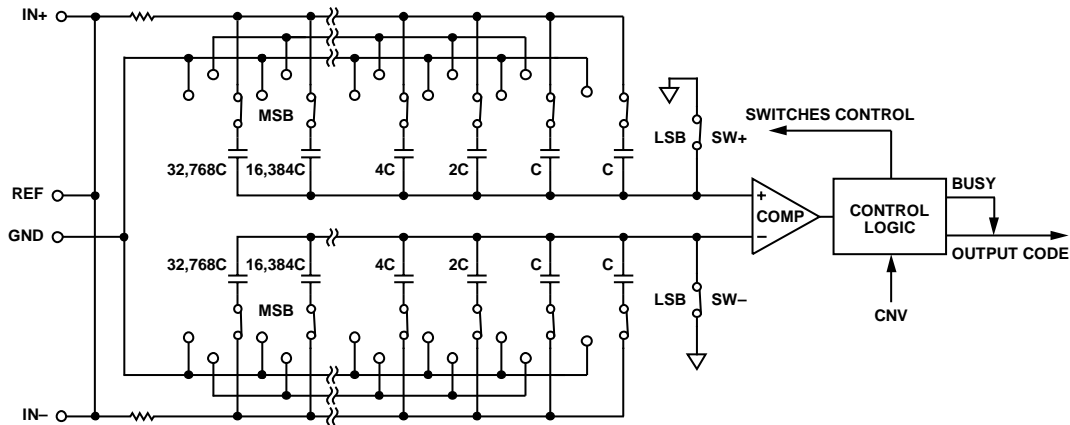


Figure 29. ADC Simplified Schematic

### CIRCUIT INFORMATION

The AD7988-1/AD7988-5 devices are fast, low power, single-supply, precise 16-bit ADCs that use a successive approximation architecture.

The AD7988-1 is capable of converting 100,000 samples per second (100 kSPS), whereas the AD7988-5 is capable of a throughput of 500 kSPS, and they power down between conversions. When operating at 10 kSPS, for example, the ADC consumes 70  $\mu$ W typically, ideal for battery-powered applications.

The AD7988-x provides the user with on-chip track-and-hold and does not exhibit any pipeline delay or latency, making it ideal for multiple multiplexed channel applications.

The AD7988-x can be interfaced to any 1.8 V to 5 V digital logic family. It is housed in a 10-lead MSOP or a tiny 10-lead LFCSP (QFN) that combines space savings and allows flexible configurations.

### CONVERTER OPERATION

The AD7988-x is a successive approximation ADC based on a charge redistribution DAC. Figure 29 shows the simplified schematic of the ADC. The capacitive DAC consists of two identical arrays of 16 binary weighted capacitors, which are connected to the two comparator inputs.

During the acquisition phase, terminals of the array tied to the comparator's input are connected to GND via SW+ and SW-. All independent switches are connected to the analog inputs. Therefore, the capacitor arrays are used as sampling capacitors and acquire the analog signal on the IN+ and IN- inputs. When the acquisition phase is completed and the CNV input goes high, a conversion phase is initiated. When the conversion phase begins, SW+ and SW- are opened first. The two capacitor arrays are then disconnected from the inputs and connected to the GND input. Therefore, the differential voltage between the IN+ and IN- inputs captured at the end of the acquisition phase are applied to the comparator inputs, causing the comparator to become unbalanced. By switching each element of the capacitor array between GND and REF, the comparator input varies by binary weighted voltage steps ( $V_{REF}/2, V_{REF}/4 \dots V_{REF}/65,536$ ). The control logic toggles these switches, starting with the MSB, to bring the comparator back into a balanced condition. After the completion of this process, the part returns to the acquisition phase and the control logic generates the ADC output code.

Because the AD7988-x has an on-board conversion clock, the serial clock, SCK, is not required for the conversion process.

**Transfer Functions**

The ideal transfer characteristic for the AD7988-x is shown in Figure 30 and Table 7.

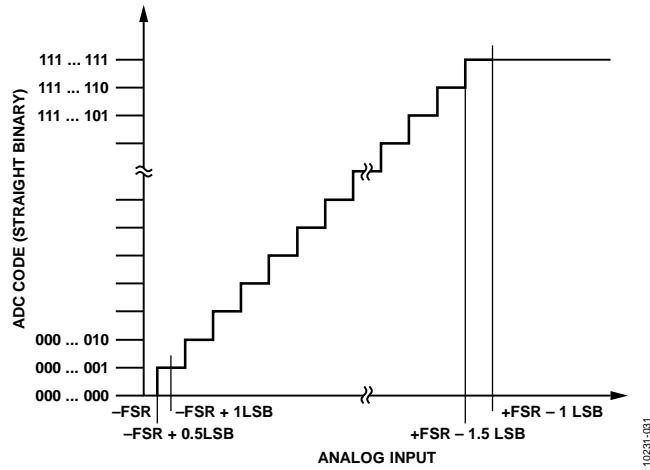


Figure 30. ADC Ideal Transfer Function

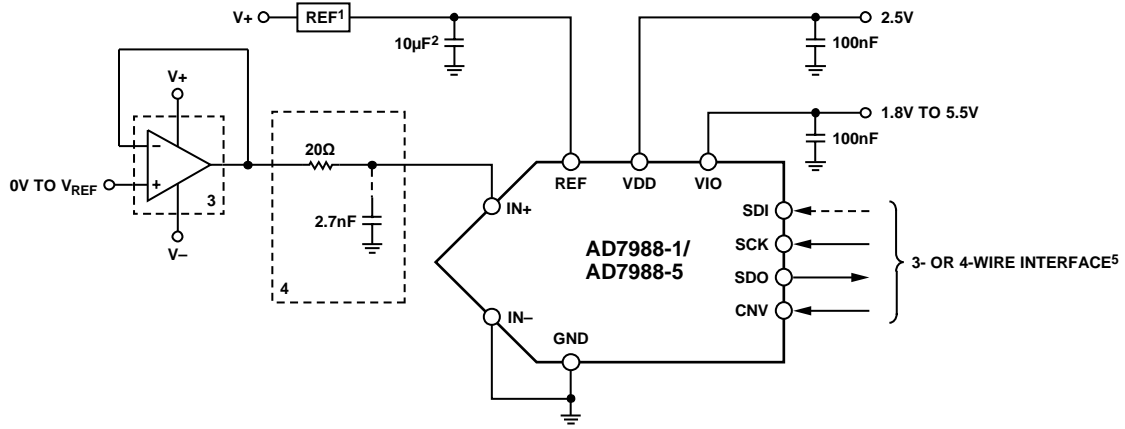
Table 7. Output Codes and Ideal Input Voltages

| Description      | Analog Input           |                           |
|------------------|------------------------|---------------------------|
|                  | V <sub>REF</sub> = 5 V | Digital Output Code (Hex) |
| FSR - 1 LSB      | 4.999924 V             | FFFF <sup>1</sup>         |
| Midscale + 1 LSB | 2.500076 V             | 8001                      |
| Midscale         | 2.5 V                  | 8000                      |
| Midscale - 1 LSB | 2.499924 V             | 7FFF                      |
| -FSR + 1 LSB     | 76.3 μV                | 0001                      |
| -FSR             | 0 V                    | 0000 <sup>2</sup>         |

<sup>1</sup> This is also the code for an overranged analog input (V<sub>IN+</sub> - V<sub>IN-</sub> above V<sub>REF</sub> - V<sub>GND</sub>).  
<sup>2</sup> This is also the code for an underranged analog input (V<sub>IN+</sub> - V<sub>IN-</sub> below V<sub>GND</sub>).

**TYPICAL CONNECTION DIAGRAM**

Figure 31 shows an example of the recommended connection diagram for the AD7988-x when multiple supplies are available.



- <sup>1</sup>SEE THE VOLTAGE REFERENCE INPUT SECTION FOR REFERENCE SELECTION.
- <sup>2</sup>C<sub>REF</sub> IS USUALLY A 10μF CERAMIC CAPACITOR (X5R).
- <sup>3</sup>SEE THE DRIVER AMPLIFIER CHOICE SECTION.
- <sup>4</sup>OPTIONAL FILTER. SEE THE ANALOG INPUTS SECTION.
- <sup>5</sup>SEE THE DIGITAL INTERFACE SECTION FOR THE MOST CONVENIENT INTERFACE MODE.

Figure 31. Typical Application Diagram with Multiple Supplies

## ANALOG INPUTS

Figure 32 shows an equivalent circuit of the input structure of the AD7988-x.

The two diodes, D1 and D2, provide ESD protection for the analog inputs, IN+ and IN-. Care must be taken to ensure that the analog input signal never exceeds the supply rails by more than 0.3 V, because this causes these diodes to become forward-biased and start conducting current. These diodes can handle a forward-biased current of 130 mA maximum. For instance, these conditions may eventually occur when the input buffer's supplies are different from VDD. In such a case (for example, an input buffer with a short circuit), the current limitation can be used to protect the part.

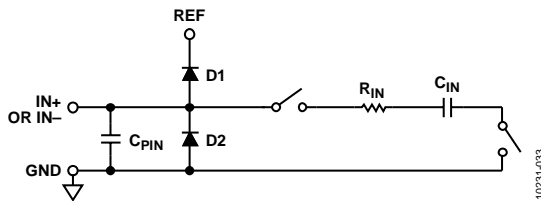


Figure 32. Equivalent Analog Input Circuit

The analog input structure allows the sampling of the true differential signal between IN+ and IN-. By using these differential inputs, signals common to both inputs are rejected.

During the acquisition phase, the impedance of the analog inputs (IN+ and IN-) can be modeled as a parallel combination of Capacitor  $C_{PIN}$  and the network formed by the series connection of  $R_{IN}$  and  $C_{IN}$ .  $C_{PIN}$  is primarily the pin capacitance.  $R_{IN}$  is typically 400  $\Omega$  and is a lumped component made up of serial resistors and the on resistance of the switches.  $C_{IN}$  is typically 30 pF and is mainly the ADC sampling capacitor. During the conversion phase, when the switches are opened, the input impedance is limited to  $C_{PIN}$ .  $R_{IN}$  and  $C_{IN}$  make a one-pole, low-pass filter that reduces undesirable aliasing effects and limits the noise.

When the source impedance of the driving circuit is low, the AD7988-x can be driven directly. Large source impedances significantly affect the ac performance, especially THD. The dc performances are less sensitive to the input impedance. The maximum source impedance depends on the amount of THD that can be tolerated. The THD degrades as a function of the source impedance and the maximum input frequency.

## DRIVER AMPLIFIER CHOICE

Although the AD7988-x is easy to drive, the driver amplifier needs to meet the following requirements:

- The noise generated by the driver amplifier must be kept as low as possible to preserve the SNR and transition noise performance of the AD7988-x. The noise coming from the driver is filtered by the AD7988-x analog input circuit's one-pole, low-pass filter made by  $R_{IN}$  and  $C_{IN}$  or by the external filter, if one is used. Because the typical noise of the AD7988-x is 47.3  $\mu\text{V}$  rms, the SNR degradation due to the amplifier is

$$SNR_{LOSS} = 20 \log \left( \frac{47.3}{\sqrt{47.3^2 + \frac{\pi}{2} f_{-3dB} (Ne_N)^2}} \right)$$

where:

$f_{-3dB}$  is the input bandwidth in MHz of the AD7988-x (10 MHz) or the cutoff frequency of the input filter, if one is used.

$N$  is the noise gain of the amplifier (for example, 1 in buffer configuration).

$e_N$  is the equivalent input noise voltage of the op amp, in  $\text{nV}/\sqrt{\text{Hz}}$ .

- For ac applications, the driver should have a THD performance commensurate with the AD7988-x.
- For multichannel multiplexed applications, the driver amplifier and the AD7988-x analog input circuit must settle for a full-scale step onto the capacitor array at a 16-bit level (0.0015%, 15 ppm). In the amplifier data sheet, settling at 0.1% to 0.01% is more commonly specified. This may differ significantly from the settling time at a 16-bit level and should be verified prior to driver selection.

Table 8. Recommended Driver Amplifiers

| Amplifier      | Typical Application                       |
|----------------|---|
| ADA4841-1      | Very low noise, small size, and low power |
| AD8021         | Very low noise and high frequency         |
| AD8022         | Low noise and high frequency              |
| OP184          | Low power, low noise, and low frequency   |
| AD8655         | 5 V single-supply, low noise              |
| AD8605, AD8615 | 5 V single-supply, low power              |

## VOLTAGE REFERENCE INPUT

The AD7988-x voltage reference input, REF, has a dynamic input impedance and should therefore be driven by a low impedance source with efficient decoupling between the REF and GND pins, as explained in the Layout section.

When REF is driven by a very low impedance source, for example, a reference buffer using the AD8031 or the AD8605, a ceramic chip capacitor is appropriate for optimum performance.

If an unbuffered reference voltage is used, the decoupling value depends on the reference used. For example, a 22  $\mu\text{F}$  (X5R, 1206 size) ceramic chip capacitor is appropriate for optimum performance using a low temperature drift ADR43x reference.

If desired, a reference-decoupling capacitor value as small as 2.2  $\mu\text{F}$  can be used with a minimal impact on performance, especially DNL.

Regardless, there is no need for an additional lower value ceramic decoupling capacitor (for example, 100 nF) between the REF and GND pins.

## POWER SUPPLY

The AD7988-x uses two power supply pins: a core supply, VDD, and a digital input/output interface supply, VIO. VIO allows direct interface with any logic between 1.8 V and 5.0 V. To reduce the number of supplies needed, VIO and VDD can be tied together. The AD7988-x is independent of power supply sequencing between VIO and VDD. Additionally, it is very insensitive to power supply variations over a wide frequency range, as shown in Figure 33.

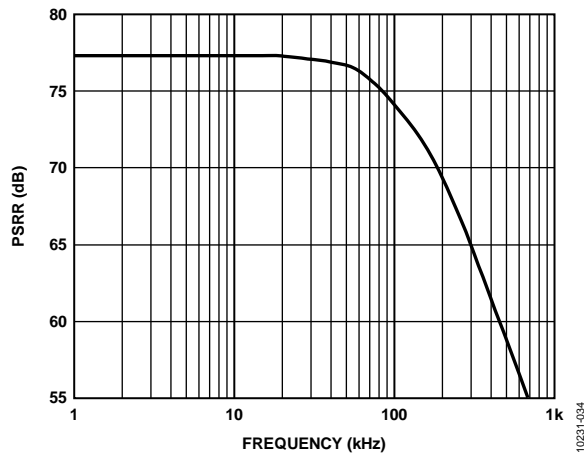


Figure 33. PSRR vs. Frequency

To ensure optimum performance, VDD should be roughly half of REF, the voltage reference input. For example, if REF is 5.0 V, VDD should be set to 2.5 V ( $\pm 5\%$ ). If REF = 2.5 V, and VDD = 2.5 V, performance is degraded as can be seen in Table 2.

The AD7988-x powers down automatically at the end of each conversion phase.

## DIGITAL INTERFACE

Although the AD7988-x has a reduced number of pins, it offers flexibility in its serial interface modes.

The AD7988-x, when in  $\overline{\text{CS}}$  mode, is compatible with SPI, QSPI™, and digital hosts. This interface can use either a 3-wire or 4-wire interface. A 3-wire interface using the CNV, SCK, and SDO signals minimizes wiring connections and is useful, for instance, in isolated applications. A 4-wire interface using the SDI, CNV, SCK, and SDO signals allows CNV, which initiates the conversions, to be independent of the readback timing (SDI). This is useful in low jitter sampling or simultaneous sampling applications.

The AD7988-x, when in chain mode, provides a daisy-chain feature using the SDI input for cascading multiple ADCs on a single data line, similar to a shift register.

The mode in which the part operates depends on the SDI level when the CNV rising edge occurs.  $\overline{\text{CS}}$  mode is selected if SDI is high, and chain mode is selected if SDI is low. The SDI hold time is such that when SDI and CNV are connected together, the chain mode is selected.

The user must time out the maximum conversion time prior to readback.

**$\overline{CS}$  MODE, 3-WIRE**

This mode is typically used when a single AD7988-x is connected to an SPI-compatible digital host. The connection diagram is shown in Figure 34, and the corresponding timing is given in Figure 35.

With SDI tied to  $\overline{VIO}$ , a rising edge on CNV initiates a conversion, selects the  $\overline{CS}$  mode, and forces SDO to high impedance. When the conversion is complete, the AD7988-x enters the acquisition phase and powers down.

When CNV goes low, the MSB is output onto SDO. The remaining data bits are then clocked by subsequent SCK falling edges. The data is valid on both SCK edges. Although the rising edge can be used to capture the data, a digital host using the SCK falling edge allows a faster reading rate, provided that it has an acceptable hold time. After the 16th SCK falling edge or when CNV goes high, whichever is earlier, SDO returns to high impedance.

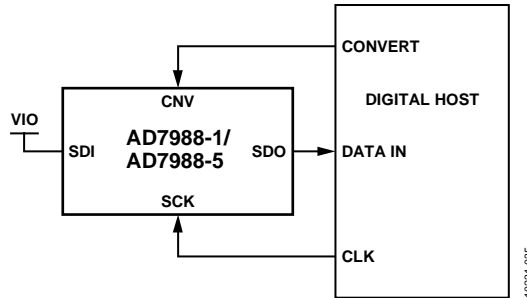


Figure 34. 3-Wire  $\overline{CS}$  Mode Connection Diagram

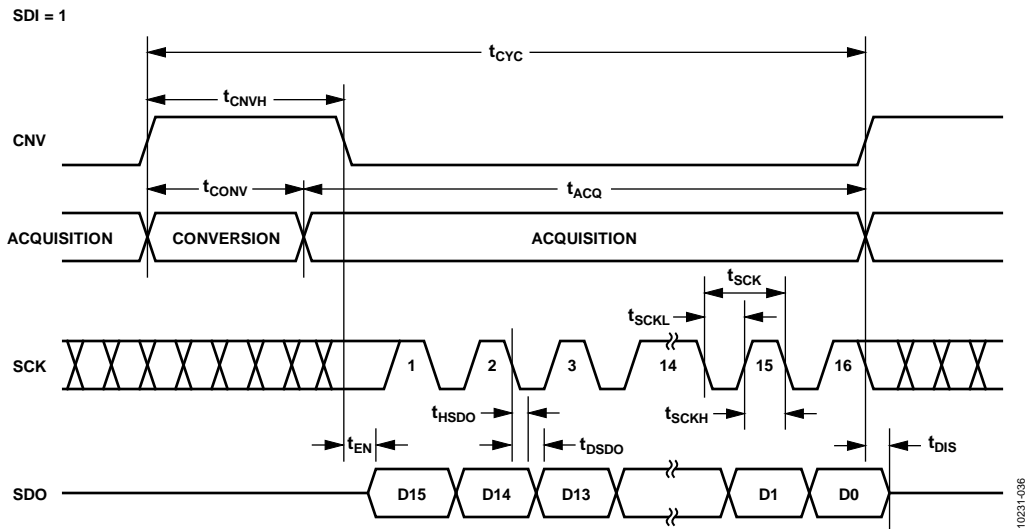


Figure 35. 3-Wire  $\overline{CS}$  Mode Serial Interface Timing (SDI High)

**CS MODE 4-WIRE**

This mode is typically used when multiple AD7988-x devices are connected to an SPI-compatible digital host.

A connection diagram example using two AD7988-x devices is shown in Figure 36, and the corresponding timing is given in Figure 37.

With SDI high, a rising edge on CNV initiates a conversion, selects the CS mode, and forces SDO to high impedance. In this mode, CNV must be held high during the conversion phase and the subsequent data readback (if SDI and CNV are low, SDO is driven low). Prior to the minimum conversion time, SDI can be used to select other SPI devices, such as analog multiplexers, but SDI must be returned high before the minimum conversion time elapses and then held high for the maximum conversion time.

When the conversion is complete, the AD7988-x enters the acquisition phase and powers down. Each ADC result can be read by bringing its SDI input low, which consequently outputs the MSB onto SDO. The remaining data bits are then clocked by subsequent SCK falling edges. The data is valid on both SCK edges. Although the rising edge can be used to capture the data, a digital host using the SCK falling edge allows a faster reading rate, provided that it has an acceptable hold time. After the 16th SCK falling edge or when SDI goes high, whichever is earlier, SDO returns to high impedance and another AD7988-x can be read.

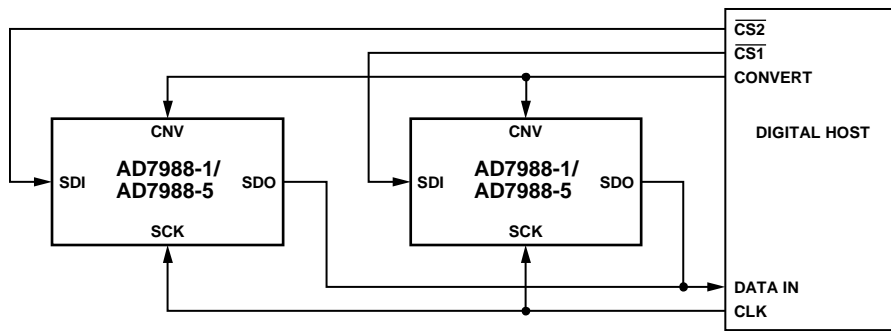


Figure 36. 4-Wire CS Mode Connection Diagram

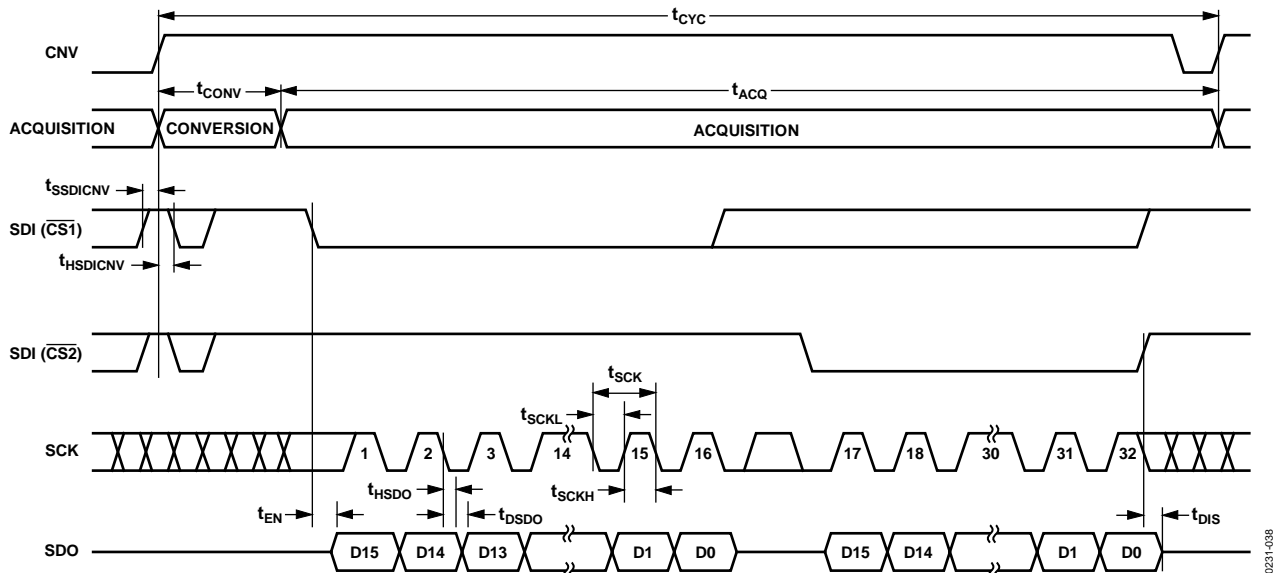


Figure 37. 4-Wire CS Mode Serial Interface Timing

**CHAIN MODE**

This mode can be used to daisy-chain multiple AD7988-x devices on a 3-wire serial interface. This feature is useful for reducing component count and wiring connections, for example, in isolated multiconverter applications or for systems with a limited interfacing capacity. Data readback is analogous to clocking a shift register.

A connection diagram example using two AD7988-x devices is shown in Figure 38, and the corresponding timing is given in Figure 39.

When SDI and CNV are low, SDO is driven low. With SCK low, a rising edge on CNV initiates a conversion and selects the chain mode. In this mode, CNV is held high during the conversion

phase and the subsequent data readback. When the conversion is complete, the MSB is output onto SDO and the AD7988-x enters the acquisition phase and powers down. The remaining data bits stored in the internal shift register are clocked by subsequent SCK falling edges. For each ADC, SDI feeds the input of the internal shift register and is clocked by the SCK falling edge. Each ADC in the chain outputs its data MSB first, and  $16 \times N$  clocks are required to read back the N ADCs. The data is valid on both SCK edges. Although the rising edge can be used to capture the data, a digital host using the SCK falling edge allows a faster reading rate and, consequently, more AD7988-x devices in the chain, provided that the digital host has an acceptable hold time. The maximum conversion rate may be reduced due to the total readback time.

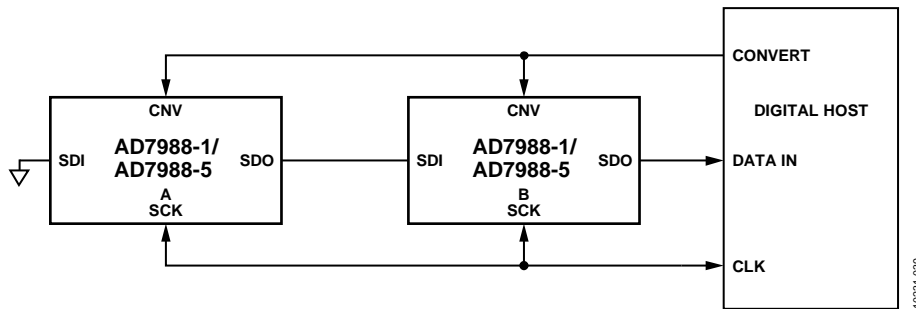


Figure 38. Chain Mode Connection Diagram

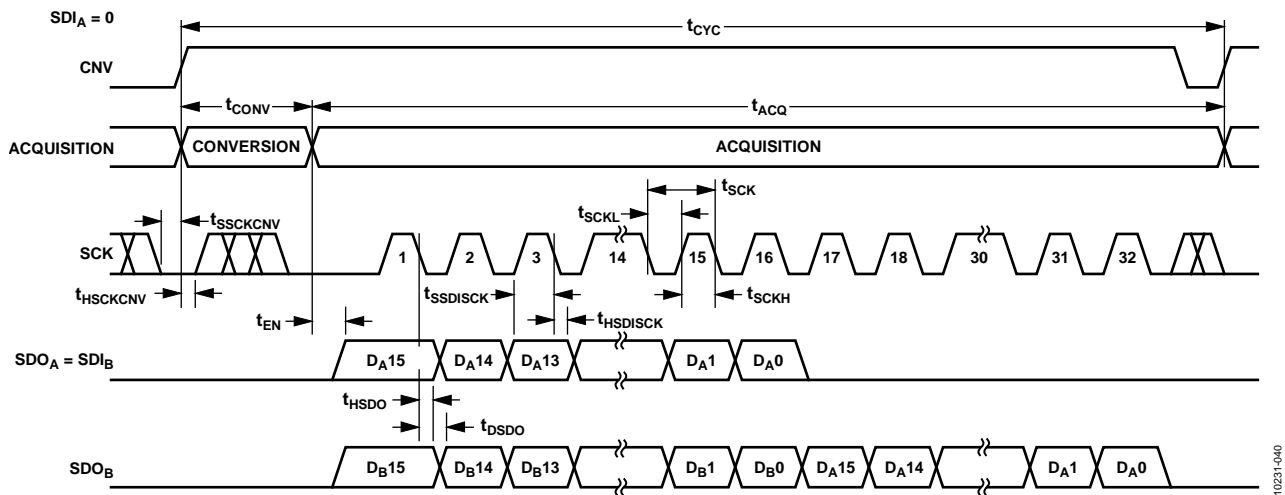


Figure 39. Chain Mode Serial Interface Timing

## APPLICATIONS INFORMATION

### INTERFACING TO BLACKFIN® DSP

The AD7988-x can easily connect to a DSP SPI or SPORT. The SPI configuration is straightforward, using the standard SPI interface as shown in Figure 40.

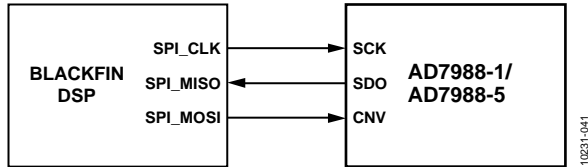


Figure 40. Typical Connection to Blackfin SPI Interface

Similarly, the SPORT interface can be used to interface to this ADC. The SPORT interface has some benefits in that it can use direct memory access (DMA) and provides a lower jitter CNV signal generated from a hardware counter.

Some glue logic may be required between SPORT and the AD7988-x interface. The evaluation board for the AD7988-x interfaces directly to the SPORT of the Blackfin-based (ADSP-BF-527) SDP board. The configuration used for the SPORT interface requires the addition of some glue logic as shown in Figure 41. The SCK input to the ADC was gated off when CNV was high to keep the SCK line static while converting the data, thereby ensuring the best integrity of the result. This approach uses an AND gate and a NOT gate for the SCK path. The other logic gates used on the RSCLK and RFS paths are for delay matching purposes and may not be necessary where path lengths are short.

This is one approach to using the SPORT interface for this ADC; there may be other solutions equal to this approach.

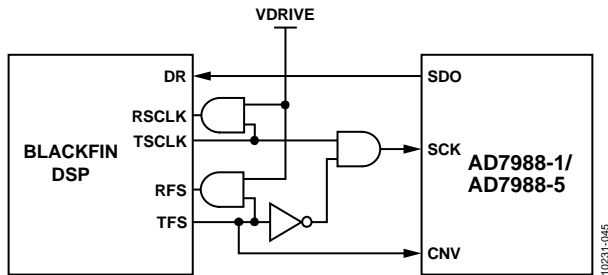


Figure 41. Evaluation Board Connection to Blackfin Sport Interface

### LAYOUT

Design the printed circuit board (PCB) that houses the AD7988-x so that the analog and digital sections are separated and confined to certain areas of the board. The pinout of the AD7988-x, with all the analog signals on the left side and all the digital signals on the right side, eases this task.

Avoid running digital lines under the device because these couple noise onto the die, unless a ground plane under the AD7988-x is used as a shield. Fast switching signals, such as CNV or clocks, should never run near analog signal paths. Avoid crossover of digital and analog signals.

Using at least one ground plane is recommended. It can be common or split between the digital and analog section. In the latter case, join the planes underneath the AD7988-x devices.

The AD7988-x voltage reference input, REF, has a dynamic input impedance. Decouple REF with minimal parasitic inductances by placing the reference decoupling ceramic capacitor close to, but ideally right up against, the REF and GND pins and connecting them with wide, low impedance traces.

Finally, decouple the power supplies of the AD7988-x, VDD and VIO, with ceramic capacitors, typically 100 nF, placed close to the AD7988-x and connected using short and wide traces to provide low impedance paths and to reduce the effect of glitches on the power supply lines.

An example of a layout following these rules is shown in Figure 42 and Figure 43.

### EVALUATING THE PERFORMANCE OF THE AD7988-x

The evaluation board package for the AD7988-x (EVAL-AD7988-5SDZ) includes a fully assembled and tested evaluation board, documentation, and software for controlling the board from a PC via the EVAL-SDP-CB1Z.

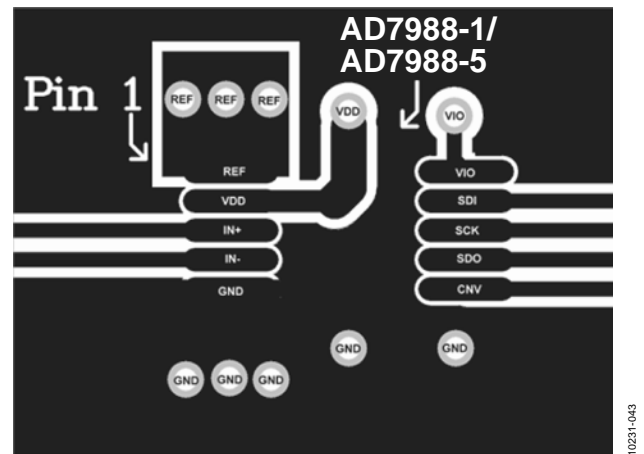


Figure 42. Example Layout of the AD7988-x (Top Layer)

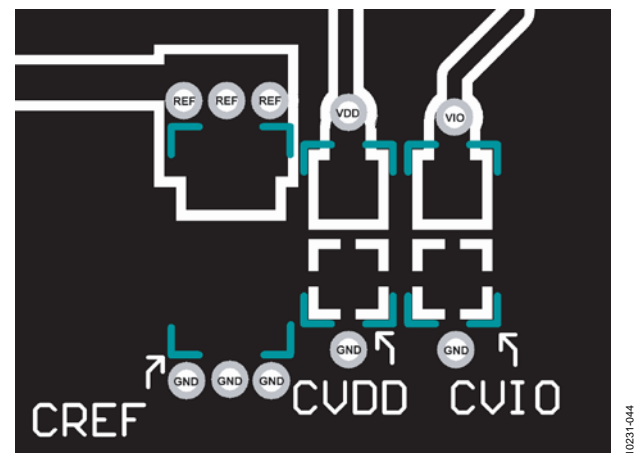
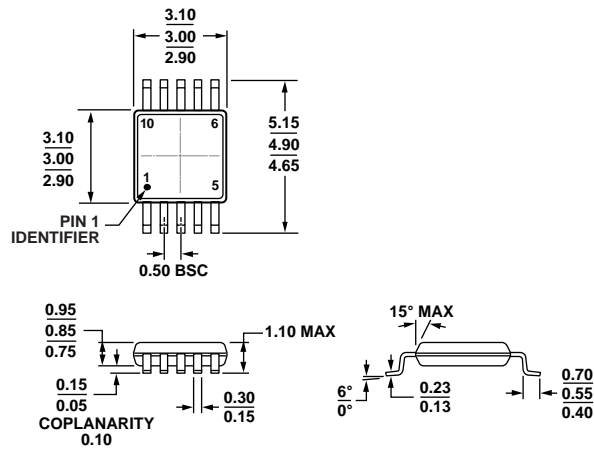


Figure 43. Example Layout of the AD7988-x (Bottom Layer)

OUTLINE DIMENSIONS



COMPLIANT TO JEDEC STANDARDS MO-187-BA  
 Figure 44. 10-Lead Mini Small Outline Package [MSOP]  
 (RM-10)  
 Dimensions shown in millimeters

091709-A

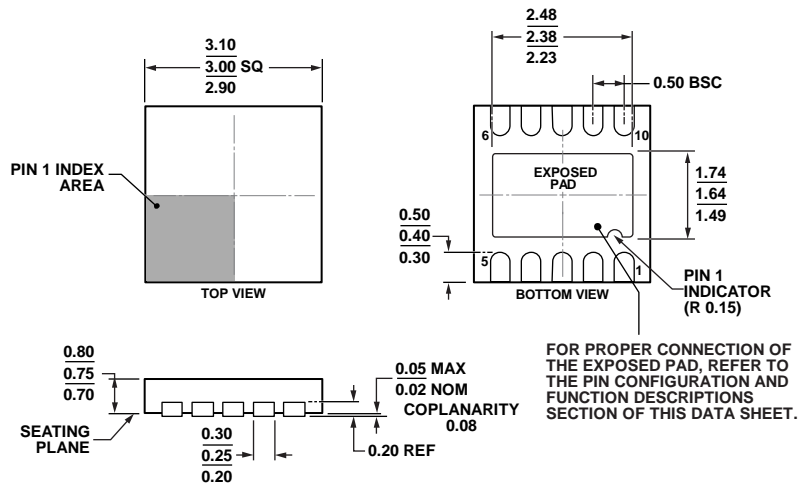


Figure 45. 10-Lead Lead Frame Chip Scale Package [QFN (LFCSP\_WD)]  
 3 mm x 3 mm Body, Very Very Thin, Dual Lead  
 (CP-10-9)  
 Dimensions shown in millimeters

02-27-2012-B

## ORDERING GUIDE

| Model <sup>1</sup> | Notes        | Integral Nonlinearity | Temperature Range | Ordering Quantity | Package Description   | Package Option | Branding |
|--------------------|--------------|-----------------------|-------------------|-------------------|---|----------------|----------|
| AD7988-1BRMZ       |              | ±1.25 LSB max         | −40°C to +125°C   | Tube, 50          | 10-Lead MSOP  | RM-10          | C7E      |
| AD7988-1BRMZ-RL7   |              | ±1.25 LSB max         | −40°C to +125°C   | Reel, 1,000       | 10-Lead MSOP  | RM-10          | C7E      |
| AD7988-1BCPZ-RL    |              | ±1.25 LSB max         | −40°C to +125°C   | Reel, 5,000       | 10-Lead QFN (LFCSP_WD)  | CP-10-9        | C7X      |
| AD7988-1BCPZ-RL7   |              | ±1.25 LSB max         | −40°C to +125°C   | Reel, 1,500       | 10-Lead QFN (LFCSP_WD)  | CP-10-9        | C7X      |
| AD7988-5BRMZ       |              | ±1.25 LSB max         | −40°C to +125°C   | Tube, 50          | 10-Lead MSOP  | RM-10          | C7Q      |
| AD7988-5BRMZ-RL7   |              | ±1.25 LSB max         | −40°C to +125°C   | Reel, 1,000       | 10-Lead MSOP  | RM-10          | C7Q      |
| AD7988-5BCPZ-RL    |              | ±1.25 LSB max         | −40°C to +125°C   | Reel, 5,000       | 10-Lead QFN (LFCSP_WD)  | CP-10-9        | C7Z      |
| AD7988-5BCPZ-RL7   |              | ±1.25 LSB max         | −40°C to +125°C   | Reel, 1,500       | 10-Lead QFN (LFCSP_WD)  | CP-10-9        | C7Z      |
| EVAL-AD7988-5SDZ   | <sup>2</sup> |                       |                   |                   | Evaluation Board with AD7988-5 Populated; Use for Evaluation of Both AD7988-1 and AD7988-5.       |                |          |
| EVAL-SDP-CB1Z      | <sup>3</sup> |                       |                   |                   | System Demonstration Board, Used as a Controller Board for Data Transfer via USB Interface to PC. |                |          |

<sup>1</sup> Z = RoHS Compliant Part.

<sup>2</sup> This board can be used as a standalone evaluation board or in conjunction with the [EVAL-SDZ-CB1Z](#) for evaluation/demonstration purposes.

<sup>3</sup> This board allows a PC to control and communicate with all Analog Devices evaluation boards ending in the SD designator.

**NOTES**