

PLEASE CHECK WWW.MOLEX.COM FOR LATEST PART INFORMATION

Part Number: [71430-0013](#)
Status: **Active**
Overview: Ultra+™ VHDCI Interconnects
Description: 0.80mm Pitch Ultra+™ VHDCI Receptacle, Right Angle, 68 Circuits, PC Tail Length 2.08mm, Shield with Enhanced Ground Tabs, No Screwlocks

Documents:

[3D Model](#) [Test Summary TS-71425-9999 \(PDF\)](#)
[Drawing \(PDF\)](#) [RoHS Certificate of Compliance \(PDF\)](#)
[Product Specification PS-71425-9999 \(PDF\)](#)

Agency Certification

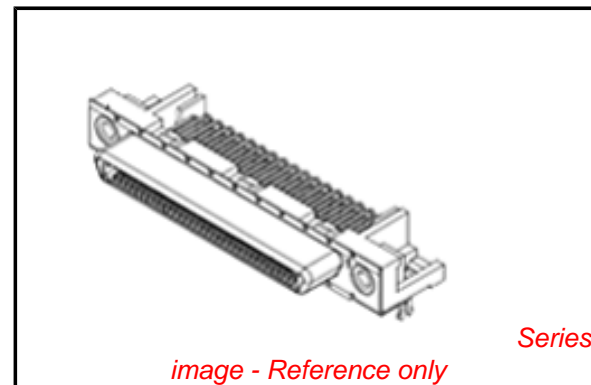
CSA LR19980
 UL E29179

General

Product Family I/O Connectors
 Series [71430](#)
 Application Wire-to-Board
 Comments Shield with Enhanced Ground Tabs, No Screwlocks
 Component Type Receptacle
 Overview [Ultra+™ VHDCI Interconnects](#)
 Product Name SCSI+, VHDCI
 Type N/A
 UPC 800756916514

Physical

Boot Color N/A
 Circuits (Loaded) 68
 Circuits (maximum) 68
 Color - Resin Black
 Durability (mating cycles max) 500
 Flammability 94V-0
 Gender Receptacle
 Lock to Mating Part Yes
 Material - Plating Mating Gold
 Material - Resin High Temperature Thermoplastic
 Net Weight 4.315/g
 Number of Rows 2
 Orientation Right Angle
 PC Tail Length 2.08mm
 PCB Locator Yes
 PCB Retention Yes
 PCB Thickness - Recommended 1.60mm
 Packaging Type Tube
 Panel Mount Yes
 Pitch - Mating Interface 0.80mm
 Pitch - Termination Interface 0.80mm
 Polarized to Mating Part Yes
 Polarized to PCB Yes
 Ports 1
 Surface Mount Compatible (SMC) Yes
 Temperature Range - Operating -55°C to +85°C
 Termination Interface: Style Through Hole
 Waterproof / Dustproof No
 Wire Size AWG N/A



EU RoHS

RoHS Compliant by Exemption
REACH SVHC
Contains SVHC: No
Low-Halogen Status
Low-Halogen

China RoHS



Need more information on product environmental compliance?

Email productcompliance@molex.com
 For a multiple part number RoHS Certificate of Compliance, [click here](#)

Please visit the [Contact Us](#) section for any non-product compliance questions.

Search Parts in this Series

[71430Series](#)

Mates With

[71425 Ultra+™ VHDCI Plug Kit](#)

Electrical

Current - Maximum per Contact	0.5A
Shield Type	Full Shield
Shielded	Yes
Voltage - Maximum	30V AC (RMS)/DC

Solder Process Data

Duration at Max. Process Temperature (seconds)	40
Lead-free Process Capability	Wave Capable (TH only)
Max. Cycles at Max. Process Temperature	3
Process Temperature max. C	245

Material Info**Reference - Drawing Numbers**

Product Specification	PS-71425-9999
Sales Drawing	SD-71430-015, SD-71430-3000
Test Summary	TS-71425-9999

This document was generated on 02/17/2015

PLEASE CHECK WWW.MOLEX.COM FOR LATEST PART INFORMATION