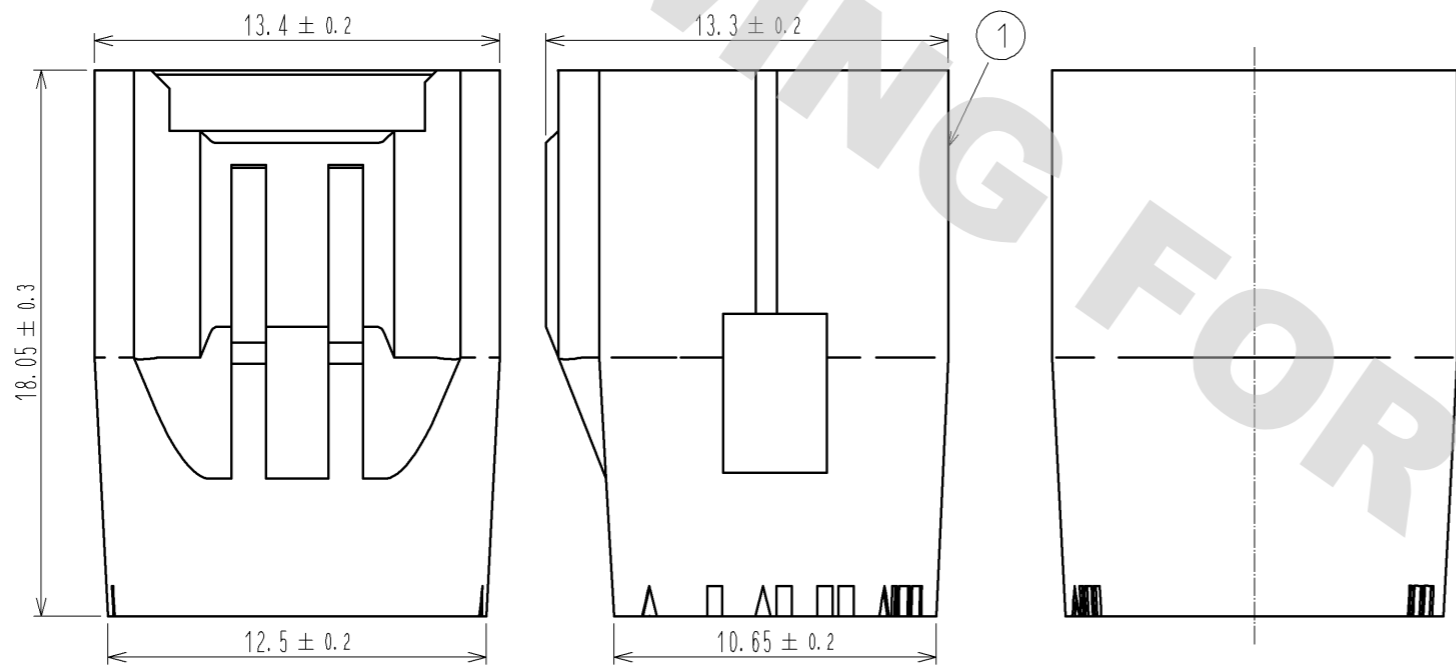
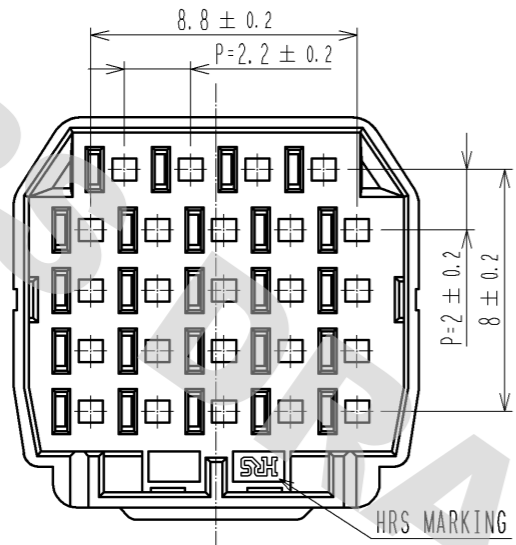
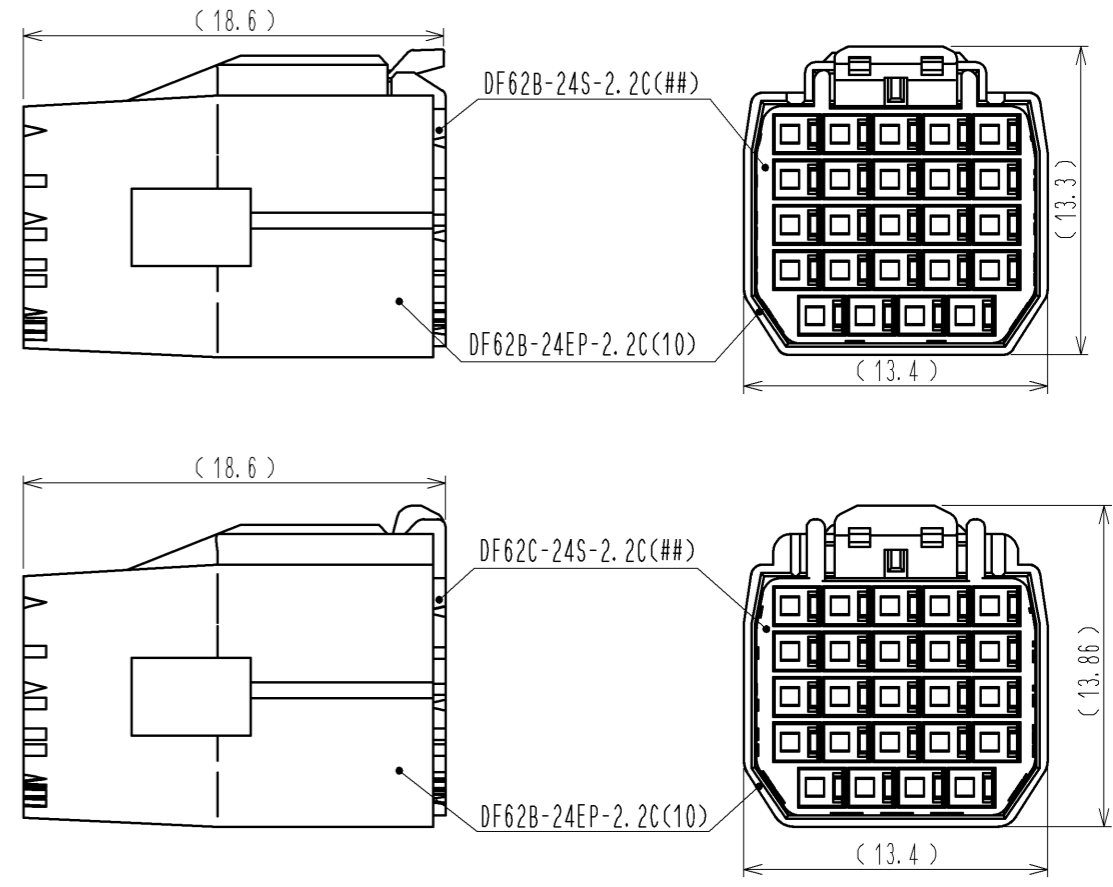


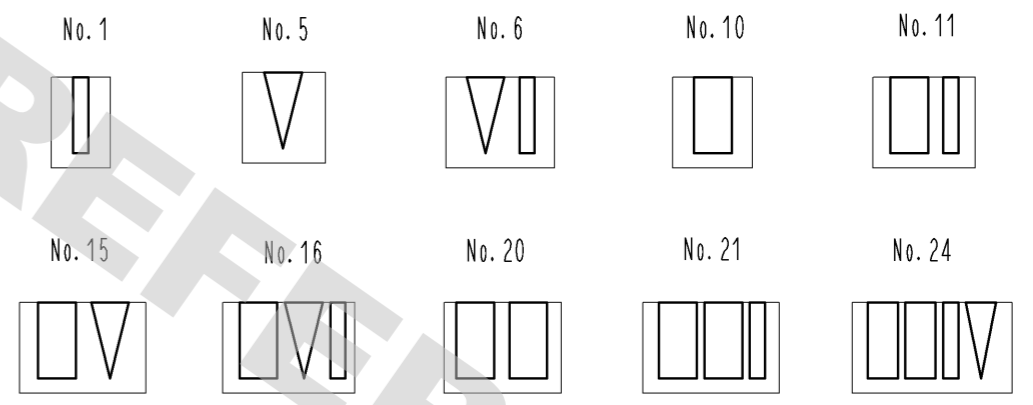
DRAWING FOR REFERENCE: This is subject to change without notice
12/05/2013



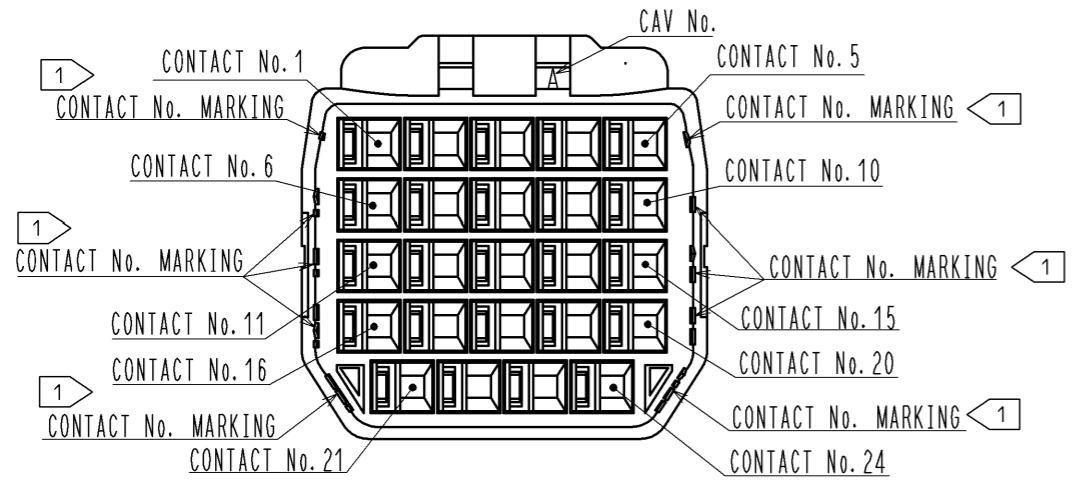
MATING FIGURE



1 FIGURE-1 CONTACT No. MARKING (10:1)



NOTE. 1. MARKINGS AT THE INDICATED POSITIONS ARE CONTACT NO. MARKING. AND SHAPES ARE SHOWN IN FIGURE-1.
2. PER PACK : 100 PIECES.
3. THE DIMENSIONS IN PARENTHESIS ARE FOR REFERENCE.



NO.	MATERIAL	FINISH . REMARKS	1	PBT	UL94V-0 (WHITE)		
UNITS mm		SCALE 4 : 1	COUNT	DESCRIPTION OF REVISIONS	DESIGNED	CHECKED	DATE
APPROVED : KI. AKIYAMA			13.09.10	DRAWING NO.			EDC3-348671-01
CHECED : OM. MIYAMOTO			13.09.10	PART NO.			DF62B-24EP-2.2C(10)
DESIGNED : TH. YOSHIZAWA			13.09.09	CODE NO.			CL544-0540-3-10
DRAWN : MI. SAKIMURA			13.09.09				