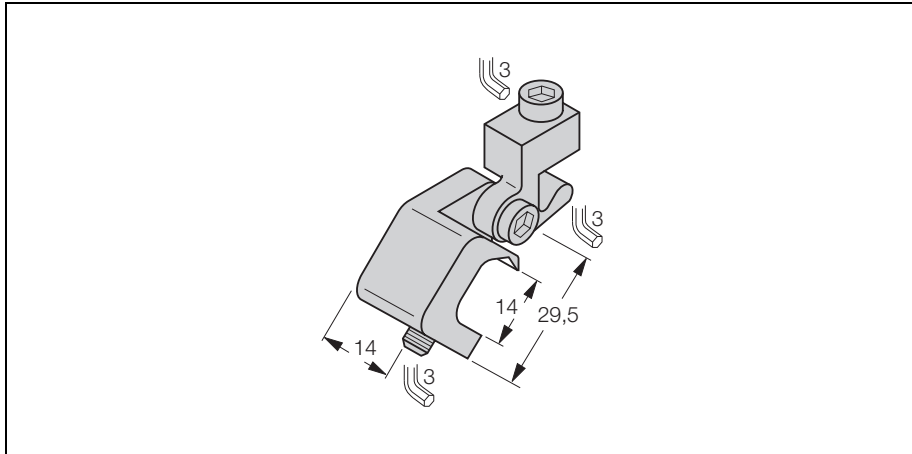


mounting accessories for tie-rod cylinders KLA2

TURCK

Industrial
Automation



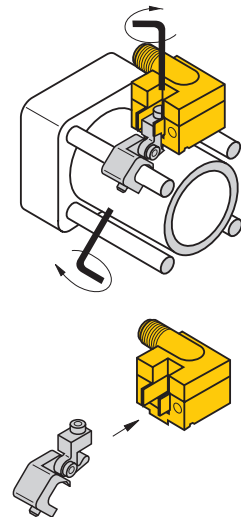
mounting accessories for magnetic-inductive sensors for mounting on tie-rod cylinders with diameters of 40...125 mm, stainless steel

general description

The sensor programme comprises inductive, magnetic-inductive, capacitive, photoelectric and ultrasonic sensors as well as pressure and flow controls.

A broad range of practice-oriented accessories ensure optimal adaption to your system.

Type	KLA2
Ident-No.	69701
Housing	accessories for rectangular types, AKT
Dimensions	29.5 x 14 mm
Housing material	metal, AL



**mounting accessories
for tie-rod cylinders
KLA2**

TURCK

Industrial
Automation

• Edition: • 26.07.2008