



2AC59



AC Series Door Switch, Single Pole Double Throw Circuitry, 10 A at 250 Vac, Rod Actuator, Silver Contacts, Screw Termination

Actual product appearance may vary.

Features

- Automatically cuts power when service door or drawer is opened
- Choice of momentary, maintained or pull-to-heat actuation
- Versatile mounting bracket for side or end mounting
- Current rating ranges from 5 A to 25 A
- Available with one or two SPDT switches
- UL recognized versions available
- Choice of termination

Potential Applications

- Appliances
- Vending machines
- Office equipment
- Computer/business equipment
- Test instruments
- Medical/dental equipment
- Communications equipment
- HVAC equipment

Description

MICRO SWITCH™ AC Series Door Switches are used for simple or precision on/off application needs. They enable circuit testing with POWER ON by manually pulling a rod actuator to the maintained-ON position. Closing the door resets the switch.

Product Specifications	
Switch Type	Door 38,1 mm H x 12,7 mm W x 38,1 mm L [1.5 in H x 0.5 in W x 1.5 in L]
Sealed	No
Ampere Rating	10 A
Circuitry	Single Pole Double Throw (SPDT)
Actuator	Rod
Termination	Screw
Operating Temperature Range	-18 °C to 82 °C [-65 °F to 180 °F]
Voltage	250 Vac
Contact Type	Silver
Operating Position (O.P.)	5,16 mm [0.203 in] min.

Free Position (F.P.)	9,53 mm [0.375 in] max.
Housing Material	Stainless Steel Bracket, Stainless Steel Rod
Military Part Number	M16106-1
Weight	34,02 g [.075 lb]
Package Height	39,9 mm [1.57 in]
Package Width	13,2 mm [.52 in]
Package Length	50,0 mm [1.97 in]
Availability	Global
UNSPSC Code	30211905
UNSPSC Commodity	30211905 Snap switches
Series Name	AC

MICRO SWITCH
a Honeywell Division

FED. MFG. CODE 91929

ASSEMBLY-SWITCH

CATALOG LISTING

2AC59

KC-B0590

MILITARY STDS PART NO
MS 16106-1

CATALOG LISTING
2AC59

PAGE 1 OF 1

ISSUE
5

REVISIONS
A CO-1
83621
K D R
7 SEP 96

DDM/CAD
DRAWN

REPLACES

RELEASE NO. PR-152

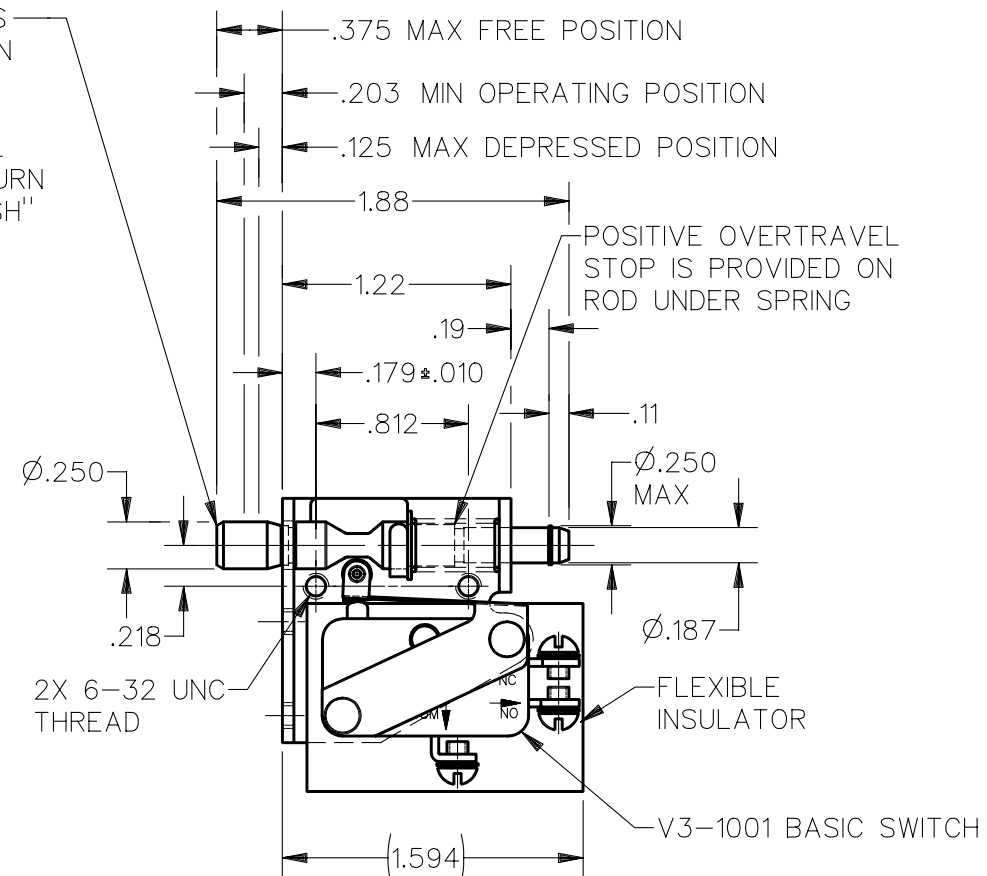
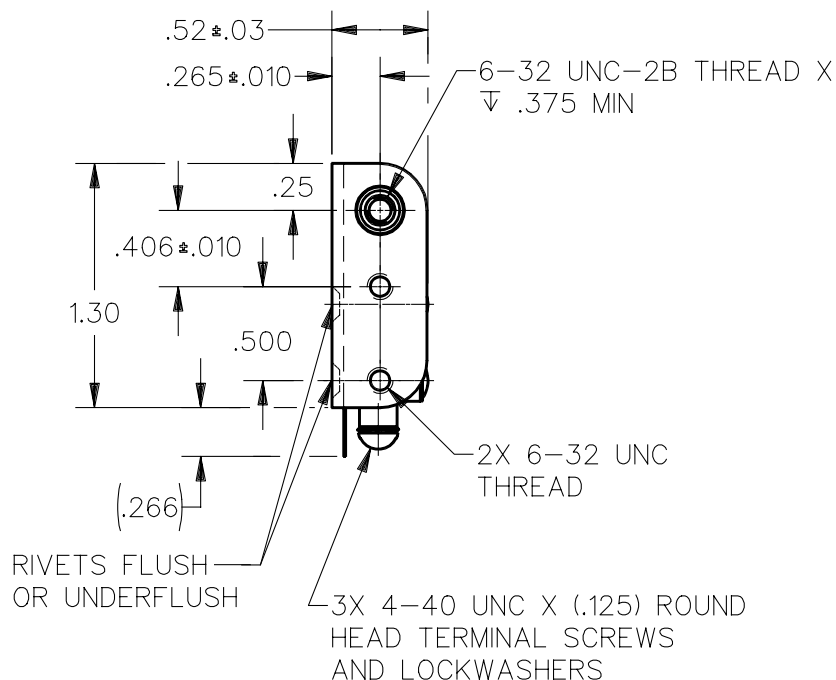
CHECK

CHECK

CHECK

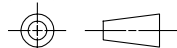
7 SEP 96

PUSH TO OPERATE—RETURNS
AUTOMATICALLY TO POSITION
SHOWN
PULL TO OPERATE—REMAINS
IN OPERATED POSITION UNTIL
RESET FOR AUTOMATIC RETURN
BY NEXT FULL STROKE "PUSH"
OPERATION



THIS DRAWING COVERS A PROPRIETARY ITEM AND IS THE PROPERTY OF MICRO SWITCH, A DIVISION OF HONEYWELL. THIS DRAWING IS NOT TO BE COPIED OR USED WITHOUT THE APPROVAL OF MICRO SWITCH

THIRD ANGLE PROJECTION



CHARACTERISTICS

ELECTRICAL DATA

TOTAL TRAVEL
 .250 APPROX PUSH DIRECTION
 .187 APPROX PULL DIRECTION
 FULLY DEPRESSED FORCE--4 LB MAX

CONTACT ARRANGEMENT
 S P D T

SCALE FULL

DO NOT SCALE PRINT

UNLESS OTHERWISE SPECIFIED
 TOLERANCES ARE

ONE PLACE (.0) ± .030
 TWO PLACE (.00) ± .015
 THREE PLACE (.000) ± .005
 ANGLES ±

WEIGHT

NOTES

- 1 - NOTCH IN ACTUATOR ROD WILL PERMIT .035 DISPLACEMENT BETWEEN END OF ROD AND HOLE IN BRACKET
- 2 - BASIC SWITCH PLASTIC PARTS ARE MADE OF DIALLYL PHTHALATE
- 3 - WITH ROD IN EITHER ACTUATED POSITION, BASIC SWITCH PLUNGER MUST HAVE .010 MIN OVERTRAVEL AND WITH ROD IN FREE POSITION BASIC SWITCH PLUNGER MUST HAVE .005 MIN RELEASE TRAVEL

ANSI Y14.5M-1982 APPLIES