

## DETAILS

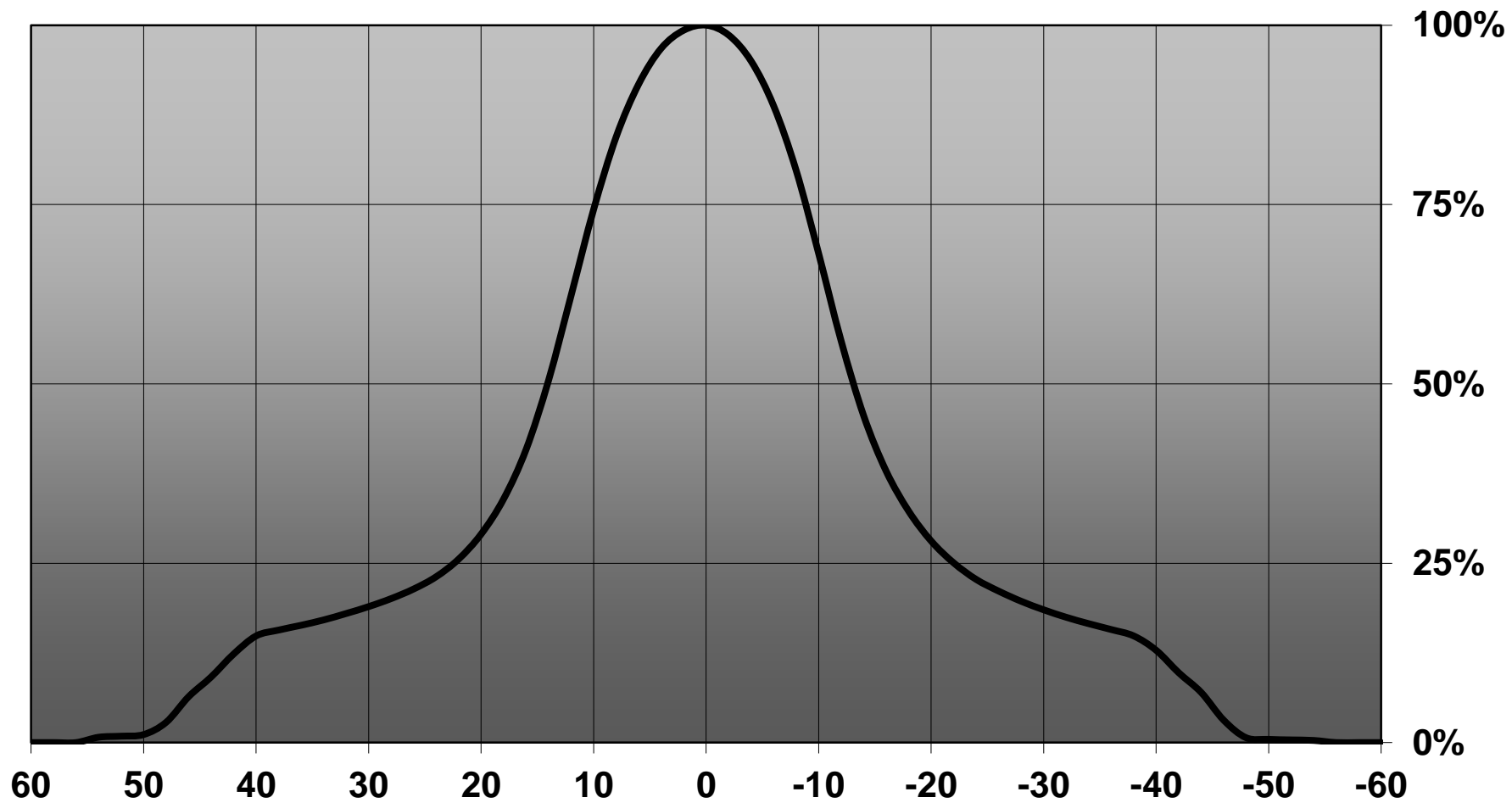
<b>Product Number</b>	CA14433_MINNIE-LT-W
<b>Family</b>	Minnie
<b>Type</b>	RefAssy
<b>Color</b>	metal
<b>Diameter</b>	35 mm
<b>Height</b>	15.6 mm
<b>Style</b>	round
<b>Optic Material</b>	PC
<b>Holder Material</b>	
<b>Fastening</b>	tape
<b>Status</b>	ready
<b>ROHS Compliant</b>	Yes
<b>Date Updated</b>	16/07/2015

## OPTICAL PROPERTIES

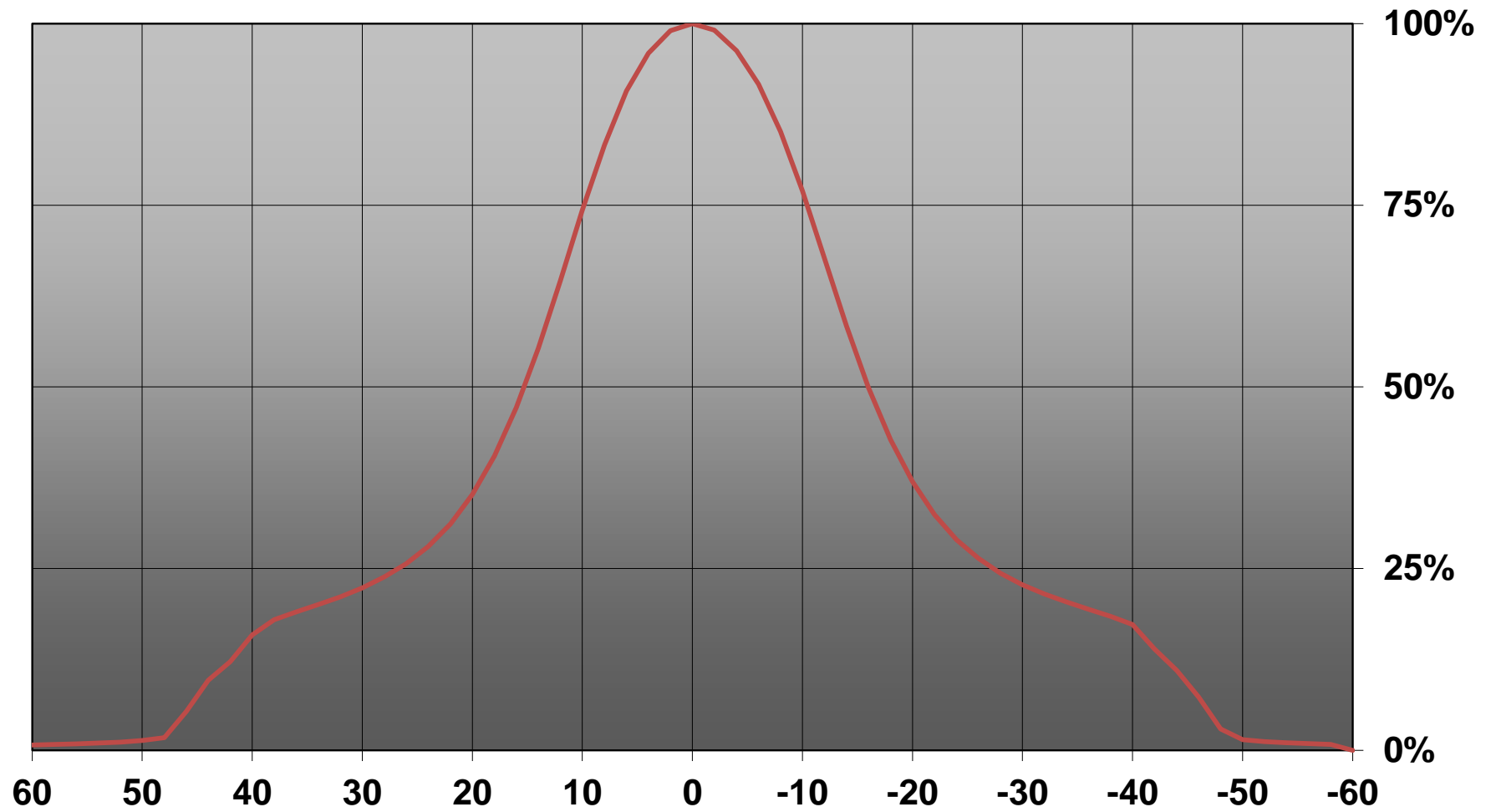
LED	Viewing	Light	Effi-		Connector
	Angle	Beam	ciency	cd/lm	
XHP50	27 deg	Wide	92 %	2.110	-
MK-R	30 deg	Wide	92 %	1.980	-
LUXEON M	30 deg	Wide	92 %	2.100	-
Duris S10	34 deg	Wide	91 %	1.900	-



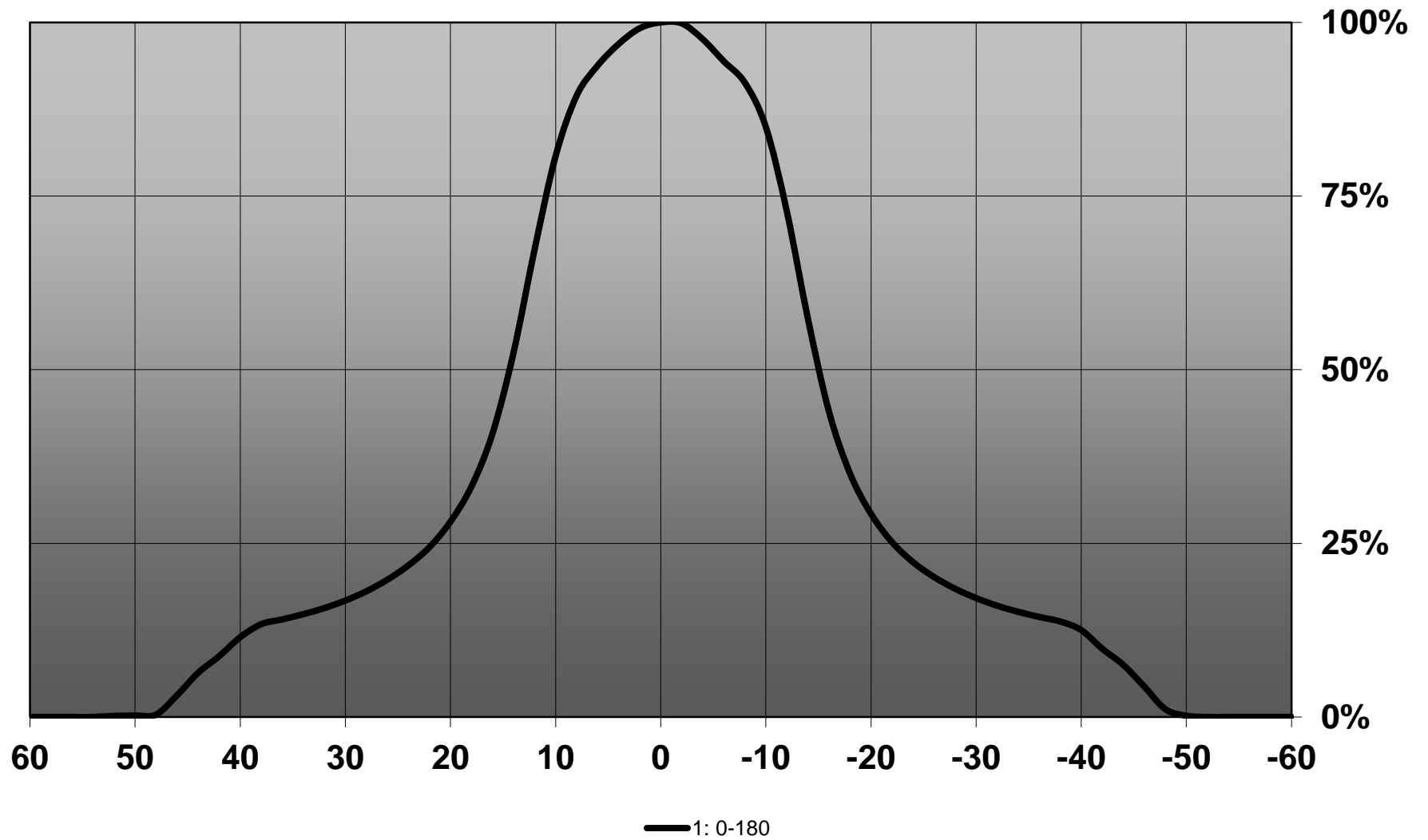
Relative intensity of CA14433\_MINNIE-LT-W\_(XHP50)



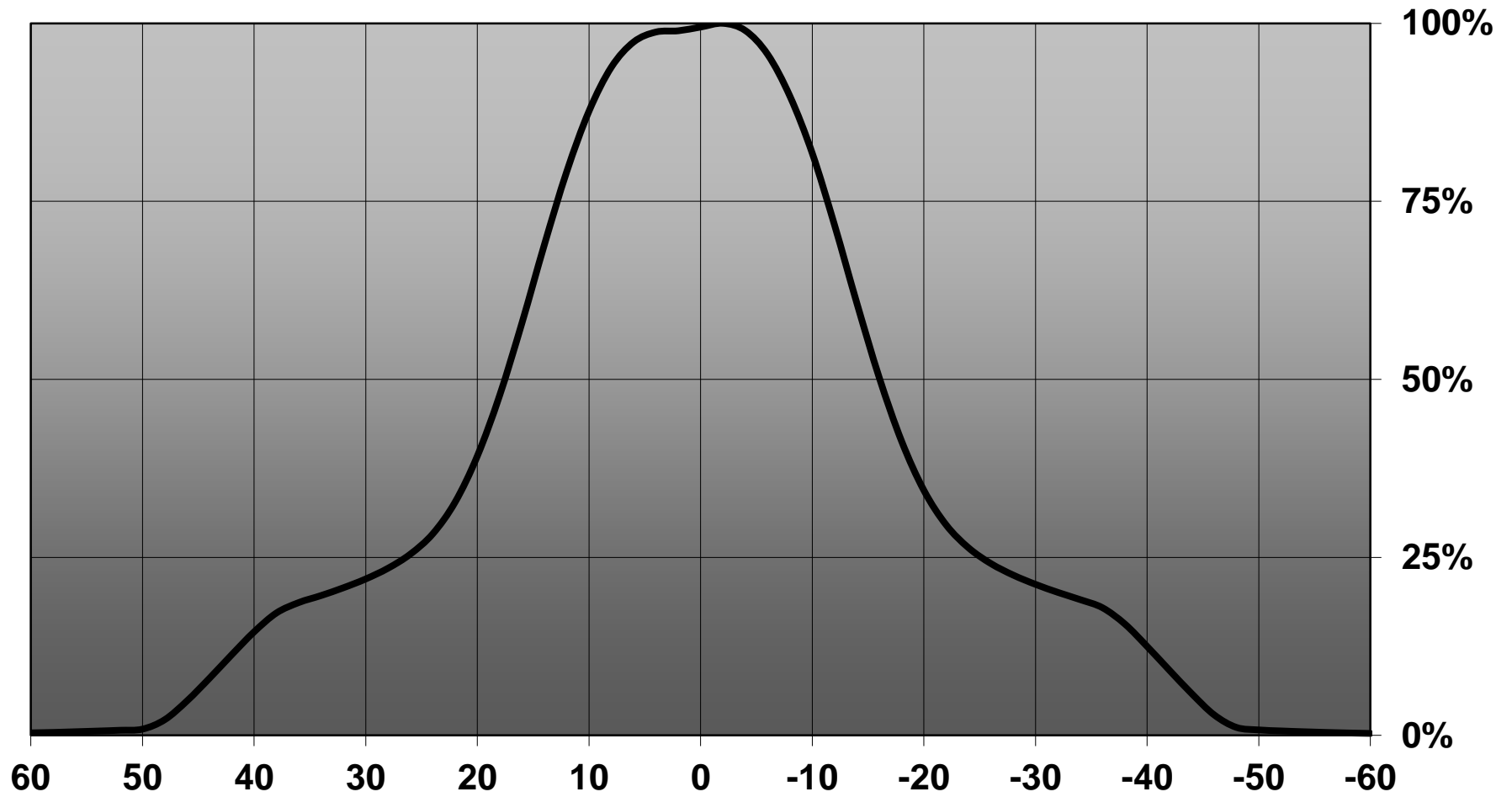
Relative intensity of CA14433\_MINNIE-LT-W\_(MK-R)



Relative intensity of CA14433\_MINNIE-LT-W\_(Luxeon\_M)



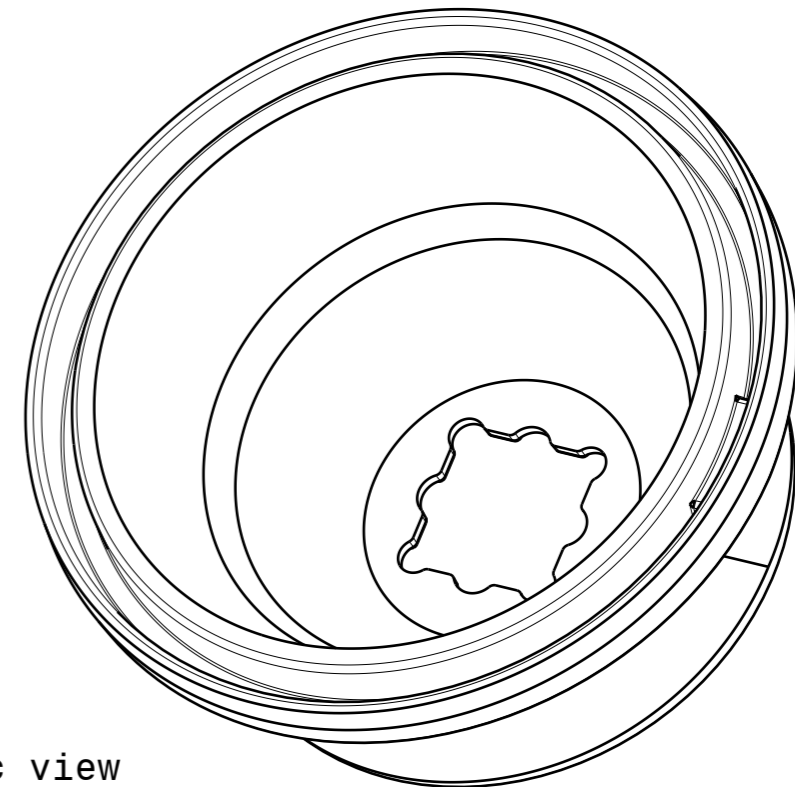
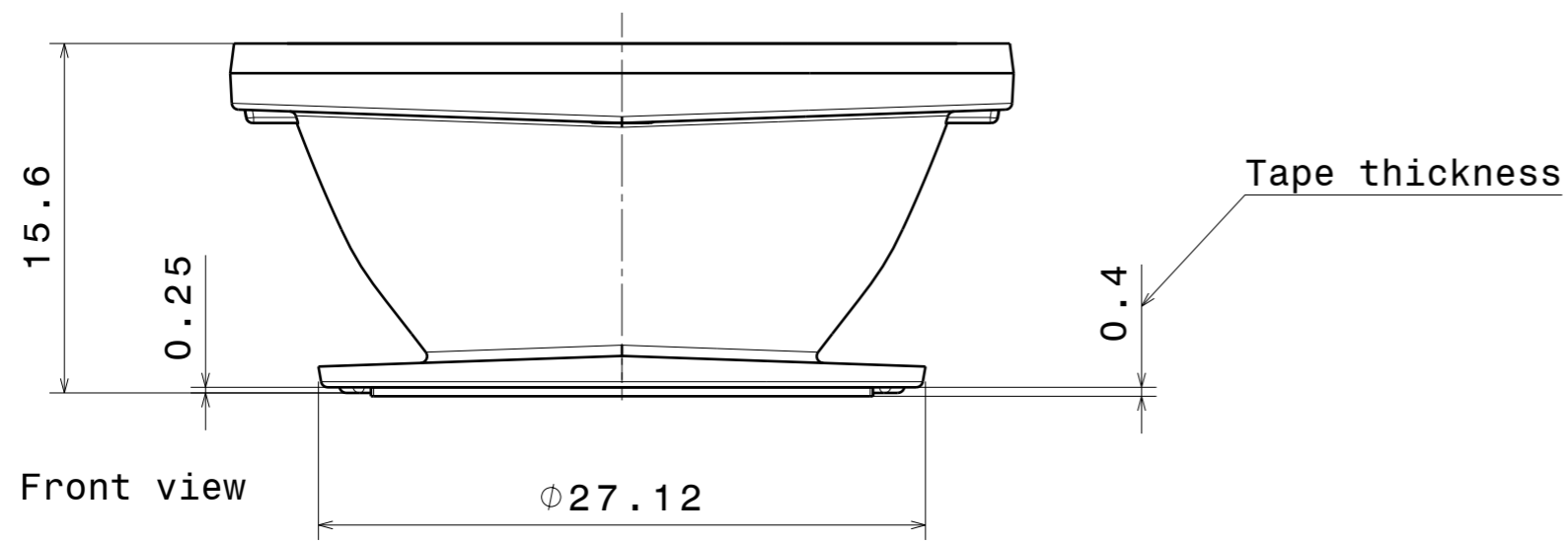
Relative intensity of CA14433\_MINNIE-LT-W\_(Duris\_S10)



H G F E D C B A

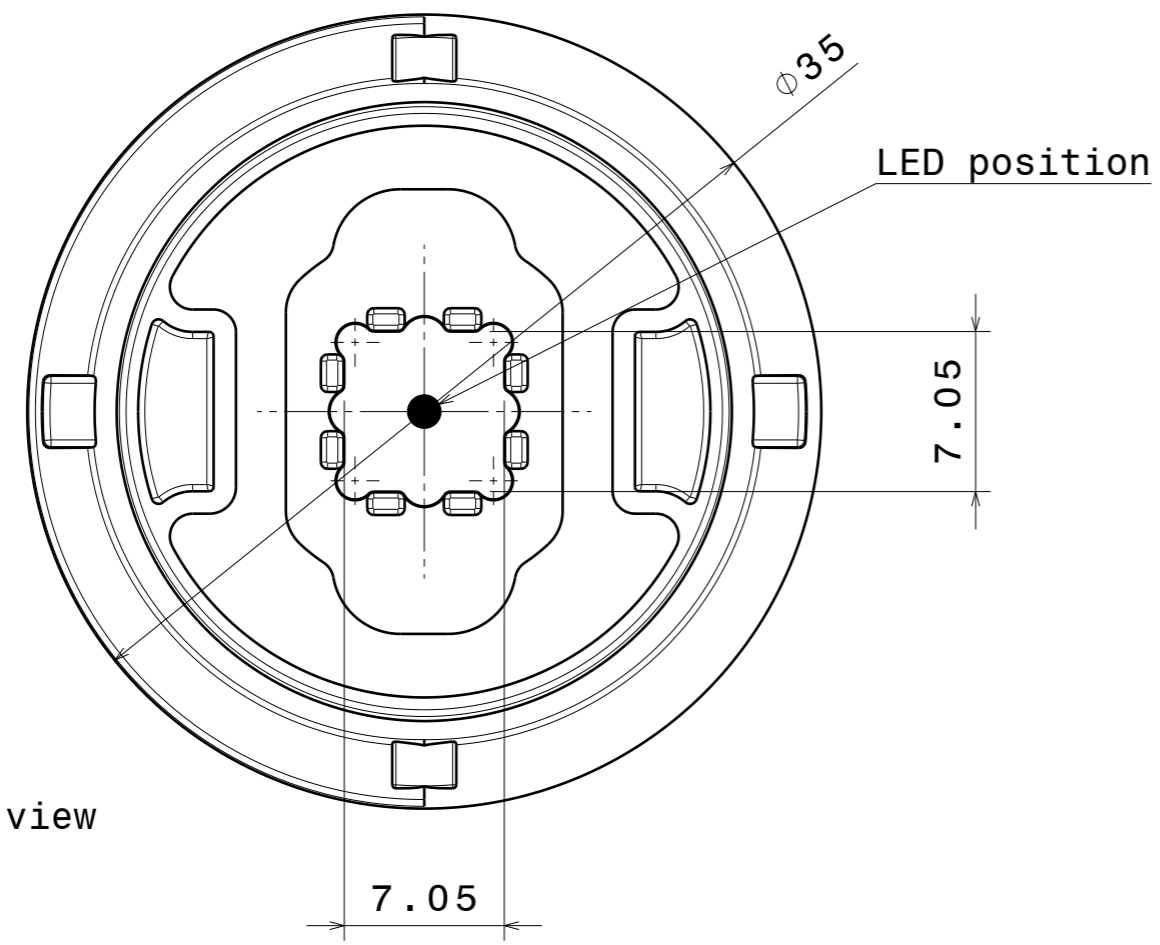
4

4



3

3



2

2

INDEX	PART NO	DESCRIPTION	MATERIAL	COLOUR
1	C14270	Reflector	PC	Metal
2	C10253	Tape	PU	Black

Tolerances if not otherwise shown  
 According to DIN ISO 2768-1  
 Linear measures: class C  
 According to DIN ISO 2768-2  
 Form and position: class L

**LEDiL** LediL Oy  
 Salorankatu 10  
 FIN 24240 SALO  
 Finland

THIRD ANGLE PROJECTION:

DRAWING TITLE  
**CA14433\_MINNIE-LT-W**

This drawing is the property of LEDiL Oy. It may not be reproduced, copied or communicated without a written agreement with LEDiL Oy.

SIZE PART NUMBER  
**A3 CA14433**

SCALE 3:1 WEIGHT - SHEET 1/1

H G B A

1

1

**NOTE: The typical divergence will be changed by different color, chip size and chip position tolerance. The typical total divergence is the full angle measured where the luminous intensity is half of the peak value.**

## **GENERAL INFORMATION**

- Product series especially designed & optimized for series of LEDs.
- Special care taken to make light distribution as uniform as possible.
- Reflector is made of aluminium coated PC (120 degrees of Celcius / 248 degrees of Fahrenheit) with protective lacquer (short term 100 degrees of Celcius / 212 degrees of Fahrenheit).
- Fastening to heat sink with a PU foam adhesive tape of automotive grade. Please find fastening details by clicking link: [http://www.ledil.com/datasheets/DataSheet\\_TAPE.pdf](http://www.ledil.com/datasheets/DataSheet_TAPE.pdf)

**NOTE 1: We advise customer to ensure the suitability and sufficiency of the bond in the end product. For example, mechanical stress, vibration and holes on the surface of the circuit board weaken the strength of the tape.**

**NOTE 2: Assembly to the surface must be made straight, so the tape bonds constant and balanced with fastening surface. Slanted assembly might cause unbalanced bond to the surface. All surfaces where tape is applied must be clean, dry and free from grease and dirt.**

**If cleaning of PCB surfaces is needed, please follow strictly the cleaning instructions of your LED manufacturer - this is important as cleaning shall under no circumstances damage LEDs or other electronics components on the PCB.**

**Further note that optical components shall not be cleaned with any chemicals - only micro fiber cloth may be used to remove fingerprints or other traces from handling.**