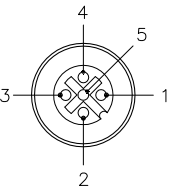
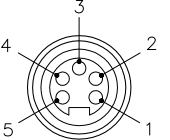
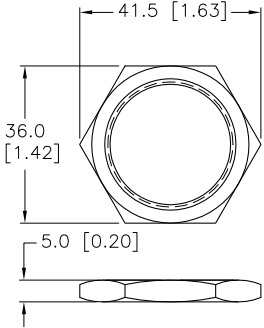
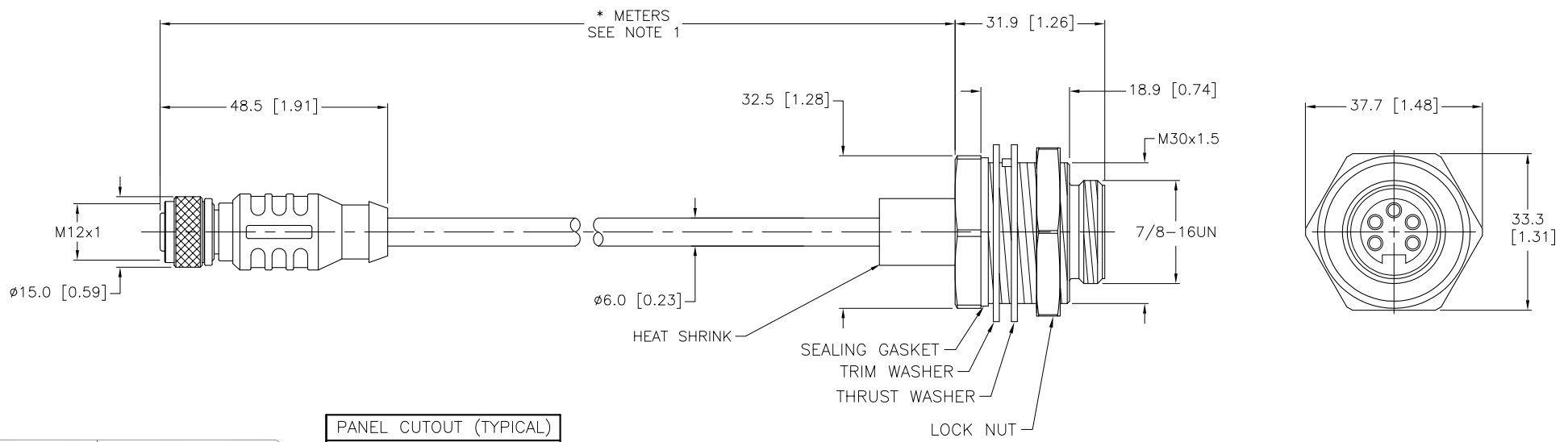
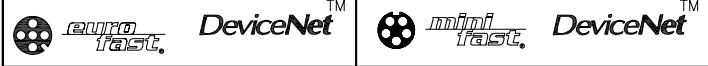
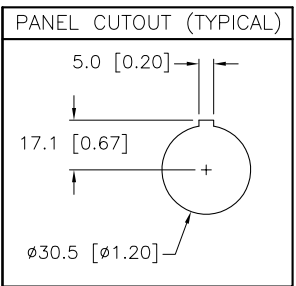


FEMALE END VIEW	MALE END VIEW	M30x1.5 LOCKNUT	SPECIFICATIONS	
 <p>1 = BARE (SHIELD) 2 = RED (+ VOLTAGE) 3 = BLACK (- VOLTAGE) 4 = WHITE (CAN_H) 5 = BLUE (CAN_L)</p>	 <p>1 = BARE (SHIELD) 2 = RED (+ VOLTAGE) 3 = BLACK (- VOLTAGE) 4 = WHITE (CAN_H) 5 = BLUE (CAN_L)</p>		CONTACT CARRIER MATERIAL/COLOR	TPU/BLUE-GRAY
			MOLDED HEAD MATERIAL/COLOR (RKC)	TPU/BLUE-GRAY
			CONTACT MATERIAL/PLATING	BRASS/GOLD
			COUPLING NUT MATERIAL/PLATING (RKC)	BRASS/NICKEL
			HOUSING MATERIAL/PLATING (RSFP)	BRASS/NICKEL
			RATED CURRENT [A]	4.0 A
			RATED VOLTAGE [V]	250 V
			OUTER JACKET MATERIAL/COLOR	PVC/GRAY
			CONDUCTOR INSULATION MATERIAL	PE (DATA), PVC (POWER)
			NUMBER OF CONDUCTORS [AWG]	4x22 AWG, 22 AWG DRAIN
			SHIELDING	ALUMINUM/POLYESTER FOIL (DATA)
			TEMPERATURE RATING	-40°C to +80°C (-40°F to +176°F)
			PROTECTION CLASS	MEETS NEMA 1,3,4,6P AND IEC IP67

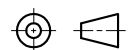


CABLE LENGTH	TOLERANCE
ALL LENGTHS	+ 4% (OR 50mm) OF LENGTH - 0% (OR 0mm) OF LENGTH WHICHEVER IS GREATER
STRIP LENGTH	TOLERANCE
0-7mm	±0.5mm
8-29mm	±1.0mm
30-49mm	±2.0mm
50-69mm	±3.0mm
70-100mm	±4.0mm
OVER 100mm	±5.0mm



SOURCE DRAWING - FOR REFERENCE ONLY

NOTES:
1. "*" INDICATES CABLE LENGTH IN METERS. CONTACT TURCK TO ORDER SPECIFIC LENGTHS.

RELATED DOCUMENTS	3RD ANGLE PROJECTION	THIS DRAWING IS PROPERTY OF TURCK INC. USE OF THIS DOCUMENT WITHOUT WRITTEN PERMISSION IS PROHIBITED.		TURCK INC High Technology Sensors and Automation Controls 3000 CAMPUS DRIVE MINNEAPOLIS, MN 55441 1-800-544-7769 (763) 553-7300 (763) 553-0708 fax turck.com	
1.		DRFT	RWC	DATE	05/30/08
2.		DSGN		SCALE	1=1.3
3.	ALL DIMENSIONS DISPLAYED ON THIS DRAWING ARE FOR REFERENCE ONLY	UNIT OF MEASUREMENT		DESCRIPTION	
4.		MILLIMETER [INCH]		RKC RSFP 5715-*M	
MATERIAL	CONTACT TURCK FOR MORE INFORMATION	IDENTIFICATION NO.		REV	
FINISH		DO NOT SCALE THIS DRAWING		E	
FILE: 777021884		SHEET 1 OF 1			

E	DRAWING PROCESSED AS PART OF ECO 33971	CBM	04/07/11	33971
REV	DESCRIPTION	BY	DATE	ECO NO.