

IEC Appliance Inlet C14 with High Frequency Filter, X2Y Technology, ECO design, Front- or Rear Side Mounting

Standard- or Medical-Filter



V-Lock



Screw-on or rivet mounting
from front or rear side

Screw-on mounting from rear side
(integrated thread)



Description

- Panel Mount:
Screw-on version from front or rear side
- 2 Functions:
Appliance Inlet, High frequency line filter as standard, industrial and medical version, Protection class I
- Quick connect terminals 6.3 x 0.8 mm

Approvals

- VDE Certificate Number: 40023426
- UL File Number: E72928

Characteristics

- Very compact filter for frequencies up to 1 GHz
Patented X2Y Technologie for broadband high frequency filtering
- Double shielding for best filter performance
One single filter design for the given current range
- Designed for standard, industrial and medical applications
Suitable for assembly in metal plated plastic housings
- Suitable for use in equipment according to IEC 60950/60601
Suitable for use in medical equipment according to IEC/UL 60601-1

Other versions on request

- Solder terminals

Weblinks

[pdf-datasheet](#), [html-datasheet](#), [General Product Information](#), [RoHS](#), [CHINA-RoHS](#), [REACH](#), [Mating Connectors](#), [e-Shop](#), [SCHURTER-Stock-Check](#), [Distributor-Stock-Check](#), [Accessories](#)

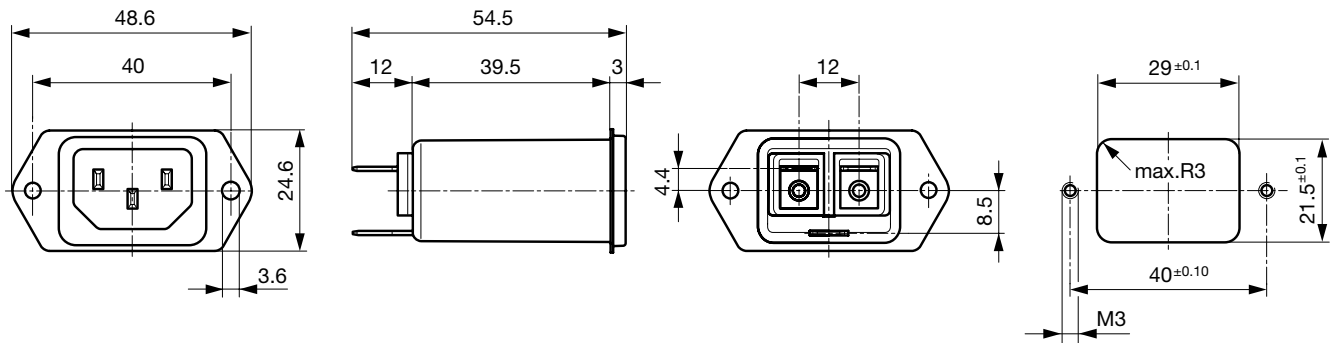
Newly available variants corresponding to V-Lock mating cordset. The connector is equipped with a notch intended for use with the latching cordset. The cord latching system prevents against accidental removal of the cordset.

Technical Data

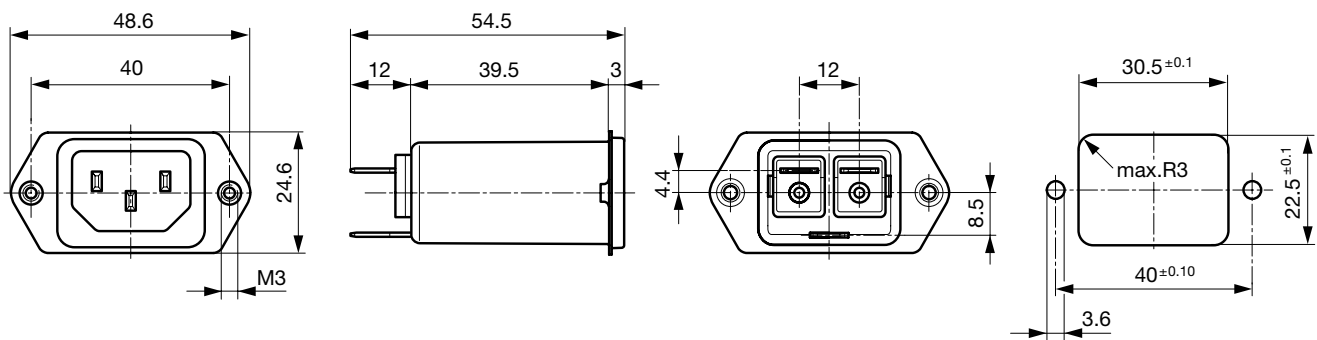
| | | | |
|---------------------------|---|-------------------------|---|
| Ratings IEC | 10A @ Ta 40 °C / 250 VAC; 50Hz | Appliance-Inlet/-Outlet | C14 acc. to IEC 60320, UL 498, CSA C22.2 no. 42 (for cold conditions) pin-temperature 70 °C, 10A, Protection Class I |
| Ratings UL/CSA | 15A @ Ta 40 °C / 250 VAC; 60Hz | Line Filter | Standard, medical and industrial version, IEC 60939, UL 1283, CSA C22.2 no. 8 Technical Details |
| Leakage Current | standard < 0.5 mA (250 V / 60 Hz) medical < 43/80 µA (250 V / 60 Hz) | MTBF | > 3'300'000 h acc. to MIL-HB-217 F |
| Dielectric Strength | > 1.7 kVDC between L-N > 2.7 kVDC between L/N-PE Test voltage (2 sec) | | |
| Allowable Operation Temp. | -25 °C to 85 °C | | |
| Climatic Category | 25/085/21 acc. to IEC 60068-1 | | |
| Degree of Protection | from front side IP 40 acc. to IEC 60529 | | |
| Protection Class | Suitable for appliances with protection class I acc. to IEC 61140 | | |
| Terminal | Quick connect terminals 6.3 x 0.8 mm | | |
| Panel Thickness s | Screw: max 8 mm Mounting screw torque max 0.5 Nm | | |
| Material: Housing | Thermoplast / steel tin-plated, black / metallic, UL 94V-0 | | |

Dimension

Front or rear side mounting for screws with nuts or blind rivets (panel cutout for frontside mounting)



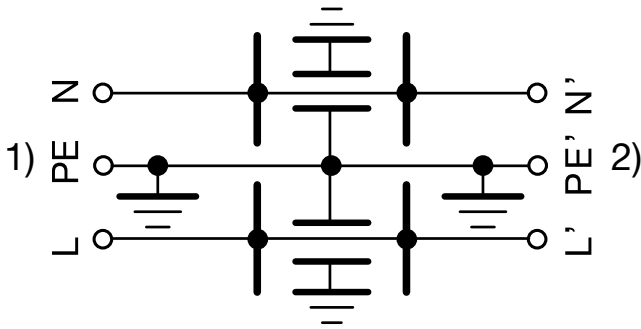
Rear side mounting with pre-formed, threaded holes for M3 screws (panel cutout for rear side mounting)

**Technical Data of Filter-Components**

| Rated Current [A] | Filter-Type | Capacitance CX [nF] | Capacitance CY [nF] | R [MΩ] |
|----------------------|--------------------------------------|------------------------|------------------------|--------|
| 10 | Standard Version | 1.25 | 2.5 | - |
| 10 | Standard Version with Bleed Resistor | 1.25 | 2.5 | 1 |
| 10 | Industrial Version | 2.35 | 4.7 | - |
| 10 | Medical Version (M80) | 0.225 | 0.45 | 1 |

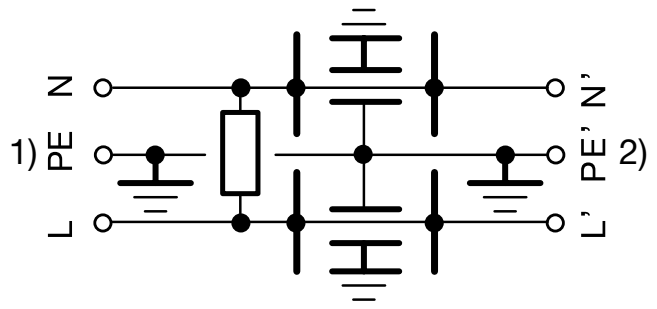
Diagrams

Standard and industrial version



1) Line
2) Load

Medical M80 and standard version with bleed resistor



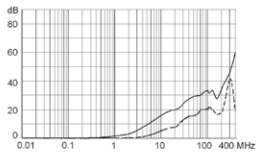
1) Line
2) Load

Attenuation Loss

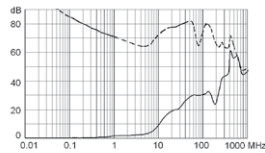
---- differential mode ____ common mode

Standard version

CISPR 17 Test Method



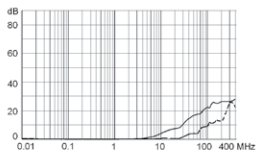
Alternate Test Method



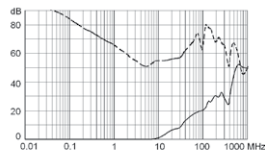
same attenuation loss with bleed resistor

Medical version (M80)

CISPR 17 Test Method

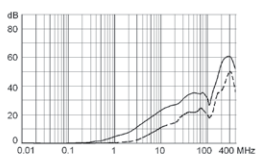


Alternate Test Method

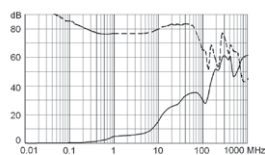


Industrial version

CISPR 17 Test Method



Alternate Test Method



Comment about alternate test method
see table of variants

All Variants

| Rated Current IEC [A] | Rated Current UL [A] | Filter-Type | Panel mounting | Mounting side | Order Number |
|-----------------------|----------------------|--------------------------------------|----------------|------------------|--------------|
| 10 | 15 | Standard Version | Screw-on/Rivet | Front-/Rear-Side | 5150.0011.0 |
| 10 | 15 | Standard Version | Screw | Rear Side | 5150.0011.1 |
| 10 | 15 | Standard Version with Bleed Resistor | Screw-on/Rivet | Front-/Rear-Side | 5150.0021.0 |
| 10 | 15 | Standard Version with Bleed Resistor | Screw | Rear Side | 5150.0021.1 |
| 10 | 15 | Industrial Version | Screw-on/Rivet | Front-/Rear-Side | 5150.0041.0 |
| 10 | 15 | Industrial Version | Screw | Rear Side | 5150.0041.1 |
| 10 | 15 | Medical Version (M80) | Screw-on/Rivet | Front-/Rear-Side | 5150.0031.0 |
| 10 | 15 | Medical Version (M80) | Screw | Rear Side | 5150.0031.1 |

Availability for all products can be searched real-time: <http://www.schurter.com/en/Stock-Check/Stock-Check-SCHURTER>

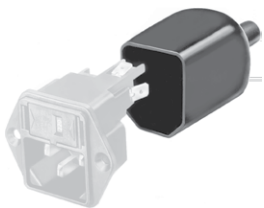
The Alternate Test Method allows the measurement in the GHz frequency range whereas the CISPR 17 method does not cover frequencies above 30MHz. The insertion loss is measured in a throughput method (common mode) and a cross coupled method (differential mode). The differential mode measurement of the alternate test method is not directly comparable to the conventional measurement acc. CISPR 17.

Further information on the X2Y filter technology and on the alternate insertion loss measurement method can be found under www.schurter.com/info_emc

Packaging unit 10 Pcs

Accessories

Description



Assorted Covers
Rear Cover



Cord retaining kits
Cord retaining strain relief

Mating Outlets/Connectors

Category / Description



[Appliance Outlet Overview complete](#)

| | |
|---|------|
| IEC Appliance Outlet F, Screw-on Mounting, Front Side, Solder Terminal | 4787 |
| IEC Appliance Outlet F, Snap-in Mounting, Front Side, Solder or Quick-connect Terminal | 4788 |
| IEC Appliance Outlet F or H, Screw-on Mounting, Front Side, Solder, PCB or Quick-connect Terminal | 5091 |

[Appliance Outlet further types to 5150](#)



[Connector Overview complete](#)

| | |
|---|---------|
| IEC Connector C13, Rewireable, Straight | 4782 |
| IEC Connector C13, Rewireable, Straight | 4022 |
| IEC Connector C13, Rewireable, Angled | 4785 |
| IEC Connector C13, Rewireable, Angled | 4300-06 |
| IEC Connector C13, Rewireable, Angled | 4012 |
| Connector further types to 5150 | ... |

Mating Outlets/Connectors shuttered



[Power Cord Overview complete](#)

| | |
|---|---------|
| Overview Power Supply Cord with IEC Connector C13, V-Lock, straight | VAC13KS |
| Power Cord further types to 5150 | |