

GBH 2-26 E
GBH 2-26 RE
GBH 2-26 DE
GBH 2-26 DRE
GBH 2-26 DFR
Professional



BOSCH

Operating Instructions

操作指南

操作指南

사용 설명서

หนังสือคู่มือการใช้งาน

**Petunjuk-Petunjuk
untuk Penggunaan**

Hướng dẫn sử dụng

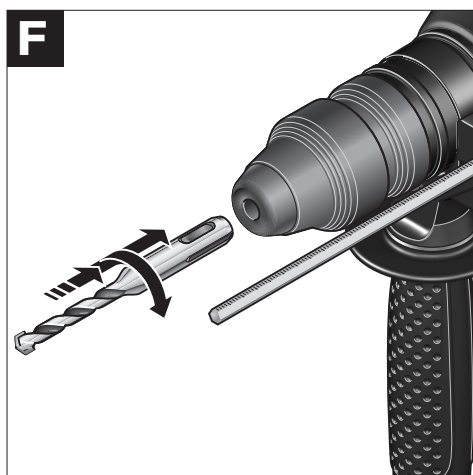
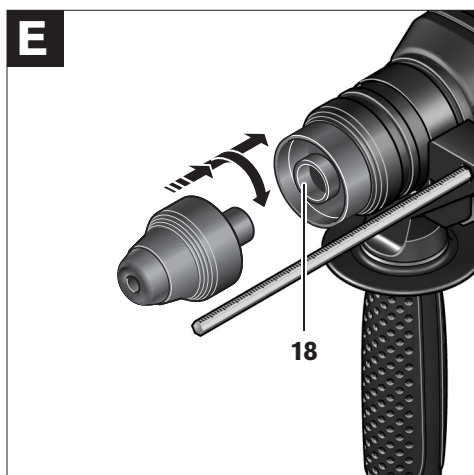
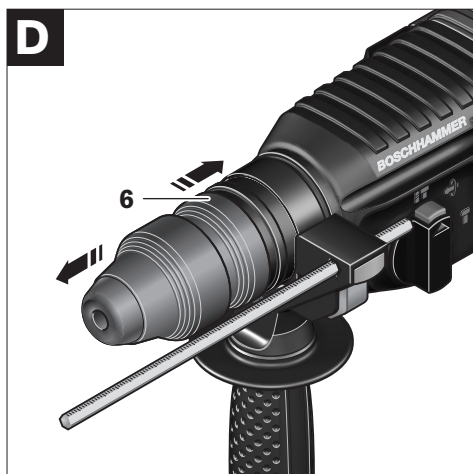
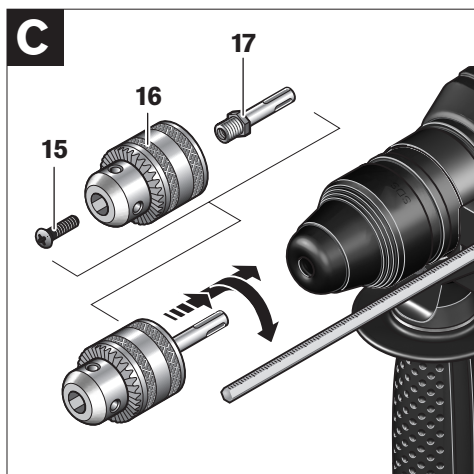
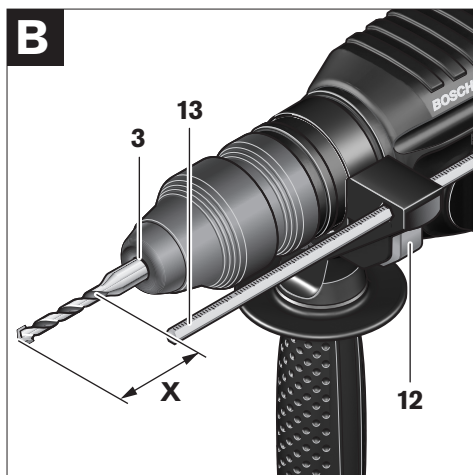
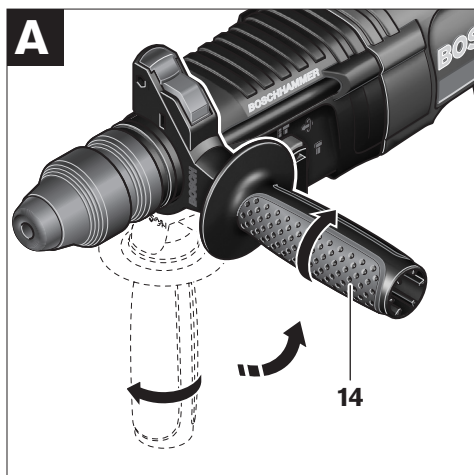
Instructions d'emploi

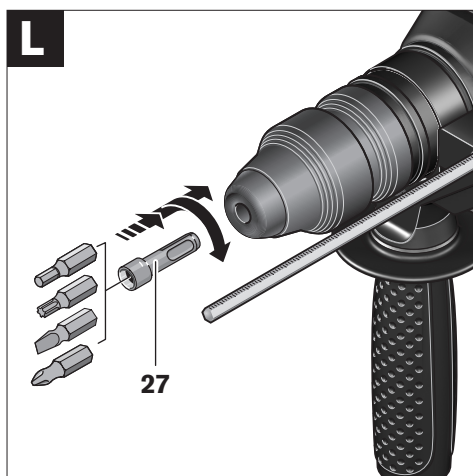
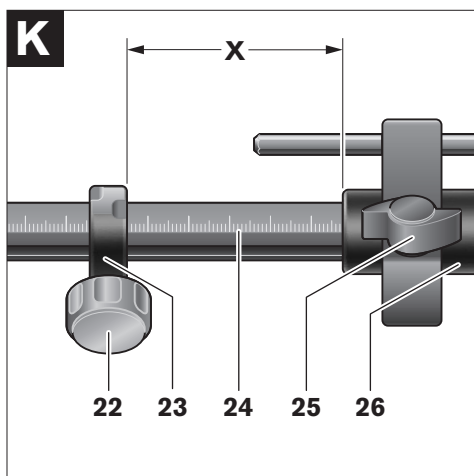
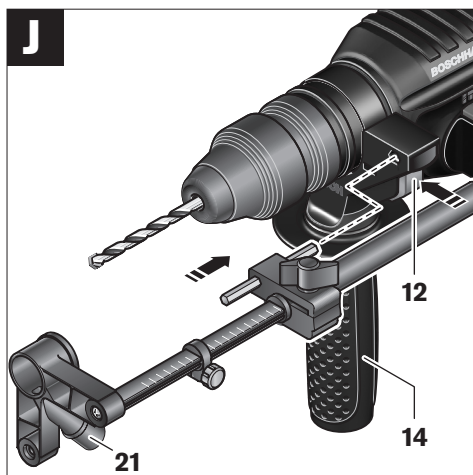
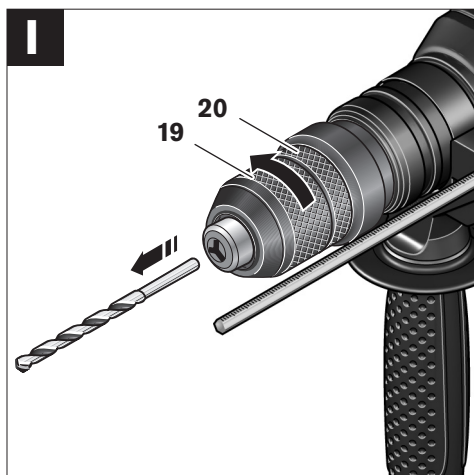
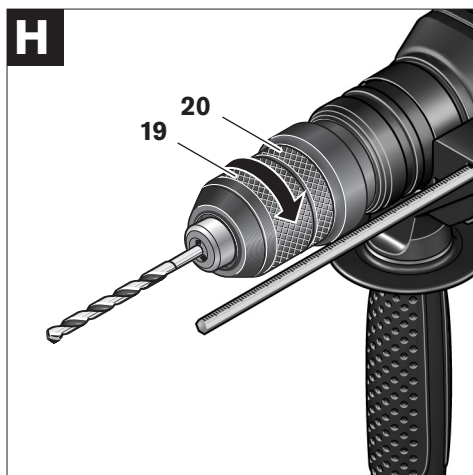
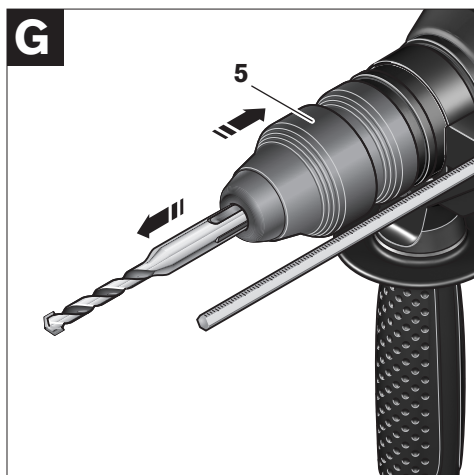
كراسة الاستخدام

راهنمای دستگاه



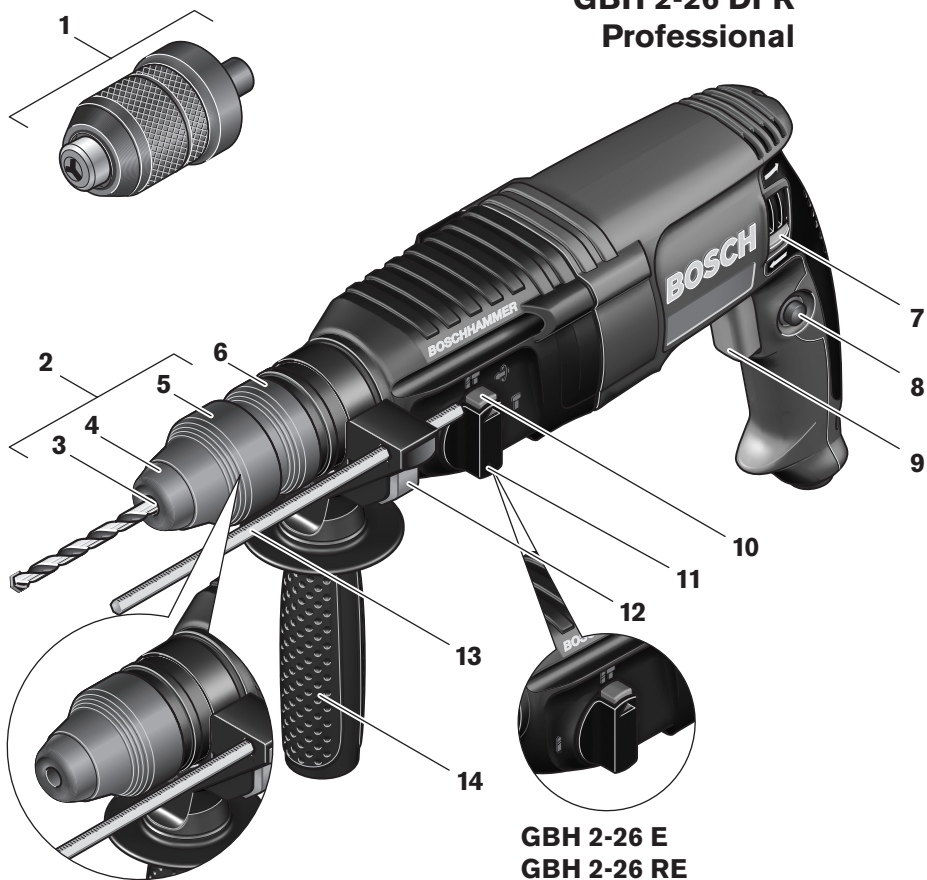
English	Page	6
中文	页	14
中文	頁	21
한국어	면	27
ภาษาไทย	หน้า	34
Bahasa Indonesia	Halaman	41
Tiếng Việt	Trang	50
Français	Page	57
عربي	صفحة	65
فارسی	صفحه	72







GBH 2-26 DFR Professional



**GBH 2-26 E
GBH 2-26 RE
GBH 2-26 DE
GBH 2-26 DRE
Professional**

**GBH 2-26 E
GBH 2-26 RE
Professional**

General Power Tool Safety Warnings

⚠ WARNING Read all safety warnings and all instructions. Failure to follow the warnings and instructions may result in electric shock, fire and/or serious injury.

Save all warnings and instructions for future reference.

The term "power tool" in the warnings refers to your mains-operated (corded) power tool or battery-operated (cordless) power tool.

1) Work area safety

- a) **Keep work area clean and well lit.** Cluttered or dark areas invite accidents.
- b) **Do not operate power tools in explosive atmospheres, such as in the presence of flammable liquids, gases, or dust.** Power tools create sparks which may ignite the dust or fumes.
- c) **Keep children and bystanders away while operating a power tool.** Distractions can cause you to lose control.

2) Electrical safety

- a) **Power tool plugs must match the outlet. Never modify the plug in any way. Do not use any adapter plugs with earthed (grounded) power tools.** Unmodified plugs and matching outlets will reduce the risk of electric shock.
- b) **Avoid body contact with earthed or grounded surfaces, such as pipes, radiators, ranges and refrigerators.** There is an increased risk of electric shock if your body is earthed or grounded.
- c) **Do not expose power tools to rain or wet conditions.** Water entering a power tool will increase the risk of electric shock.
- d) **Do not abuse the cord. Never use the cord for carrying, pulling or unplugging the power tool. Keep cord away from heat, oil, sharp edges or moving parts.** Damaged or entangled cords increase the risk of electric shock.
- e) **When operating a power tool outdoors, use an extension cord suitable for outdoor use.** Use of a cord suitable for outdoor use reduces the risk of electric shock.
- f) **If operating a power tool in a damp location is unavoidable, use a ground fault circuit interrupter (GFCI) or an earth leakage circuit breaker (ELCB).** Use of a GFCI or an ELCB reduces the risk of electric shock.

3) Personal safety

- a) **Stay alert, watch what you are doing and use common sense when operating a power tool. Do not use a power tool while you are tired or under the influence of drugs, alcohol, or medication.** A moment of inattention while operating power tools may result in serious personal injury.
- b) **Use personal protective equipment. Always wear eye protection.** Protective equipment such as dusk mask, non-skid safety shoes, hard hat or hearing protection used for appropriate conditions will reduce personal injuries.
- c) **Prevent unintentional starting. Ensure the switch is in the off position before connecting to power source and/or battery pack, picking up or carrying the tool.** Carrying power tools with your finger on the switch or energizing power tools that have the switch on invites accidents.
- d) **Remove any adjusting key or wrench before turning the power tool on.** A wrench or a key that is left attached to a rotating part of the power tool may result in personal injury.
- e) **Do not overreach. Keep proper footing and balance at all times.** This enables better control of the power tool in unexpected situations.
- f) **Dress properly. Do not wear loose clothing or jewelry. Keep your hair, clothing, and gloves away from moving parts.** Loose clothes, jewelry, or long hair can be caught in moving parts.
- g) **If devices are provided for the connection of dust extraction and collection facilities, ensure these are connected and properly used.** Use of dust collection can reduce dust-related hazards.

4) Power tool use and care

- a) **Do not force the power tool. Use the correct power tool for your application.** The correct power tool will do the job better and safer at the rate for which it is designed.
- b) **Do not use the power tool if the switch does not turn it on or off.** Any power tool that cannot be controlled with the switch is dangerous and must be repaired.
- c) **Disconnect the plug from the power source and/or the battery pack from the power tool before making any adjustments, changing accessories, or storing power tools.** Such preventive safety measures reduce the risk of starting the power tool accidentally.

- d) **Store idle power tools out of the reach of children and do not allow persons unfamiliar with the power tool or these instructions to operate the power tool.** Power tools are dangerous in the hands of untrained users.
- e) **Maintain power tools. Check for misalignment or binding of moving parts, breakage of parts and any other condition that may affect the power tool's operation. If damaged, have the power tool repaired before use.** Many accidents are caused by poorly maintained power tools.
- f) **Keep cutting tools sharp and clean.** Properly maintained cutting tools with sharp cutting edges are less likely to bind and are easier to control.
- g) **Use the power tool, accessories, tool bits etc. in accordance with these instructions, taking into account the working conditions and the work to be performed.** Use of the power tool for operations different from those intended could result in a hazardous situation.

5) Service

- a) **Have your power tool serviced by a qualified repair person using only identical replacement parts.** This will ensure that the safety of the power tool is maintained.

Power Tool-specific Safety Warnings

- ▶ **Wear hearing protection.** Exposure to noise can cause hearing loss.
- ▶ **Use the auxiliary handle supplied with the power tool.** Loss of control over the power tool can cause personal injury.
- ▶ **Use suitable detectors to determine if utility lines are hidden in the work area or call the local utility company for assistance.** Contact with electric lines can lead to fire and electric shock. Damaging a gas line can lead to explosion. Penetrating a water line causes property damage or may cause an electric shock.
- ▶ **When working with the power tool, always hold it firmly with both hands and provide for a secure stance.** The power tool is guided more secure with both hands.
- ▶ **Secure the workpiece.** A workpiece clamped with clamping devices or in a vice is held more secure than by hand.

- ▶ **Do not work materials containing asbestos.** Asbestos is considered carcinogenic.
- ▶ **Take protective measures when dust can develop during working that is harmful to one's health, combustible or explosive.** Example: Some dusts are regarded as carcinogenic. Wear a dust mask and work with dust/chip extraction when connectable.
- ▶ **Keep your workplace clean.** Blends of materials are particularly dangerous. Dust from light alloys can burn or explode.
- ▶ **Always wait until the power tool has come to a complete stop before placing it down.** The tool insert can jam and lead to loss of control over the power tool.
- ▶ **Do not use the power tool with a damaged cord. Do not touch the damaged cord and pull the plug from the outlet when the cord is damaged while working.** Damaged cords increase the risk of an electric shock.

Functional Description



Read all safety warnings and all instructions. Failure to follow the warnings and instructions may result in electric shock, fire and/or serious injury.

While reading the operating instructions, unfold the graphics page for the tool and leave it open.

Intended Use

GBH 2-26 E/RE

The machine is intended for hammer drilling in concrete, brick and stone. It is also suitable for drilling without impact in wood, metal, ceramic and plastic. Machines with electronic control and right/left rotation are also suitable for screwdriving and thread cutting.

GBH 2-26 DE/DRE/DFR

The machine is intended for hammer drilling in concrete, brick and stone, as well as for light chiseling work. It is also suitable for drilling without impact in wood, metal, ceramic and plastic. Machines with electronic control and right/left rotation are also suitable for screwdriving and thread cutting.

Technical Data

Rotary Hammer GBH ... Professional		2-26 E	2-26 RE	2-26 DE	2-26 DRE	2-26 DFR
Article number		0 611 251 6..	0 611 251 7..	0 611 253 6..	0 611 253 7..	0 611 254 7..
Speed control		●	●	●	●	●
Stop rotation		–	–	●	●	●
Right/left rotation		–	●	–	●	●
Quick change chuck		–	–	–	–	●
Rated power input	W	800	800	800	800	800
Impact frequency at rated speed	bpm	0–4000	0–4000	0–4000	0–4000	0–4000
Impact energy per stroke	J	0–3.0	0–3.0	0–3.0	0–3.0	0–3.0
Rated speed	rpm	0–900	0–900	0–900	0–900	0–900
Tool holder		SDS-plus	SDS-plus	SDS-plus	SDS-plus	SDS-plus
Spindle collar diameter	mm	50	50	50	50	50
Drilling diameter, max.:						
– Concrete	mm	26	26	26	26	26
– Brickwork (with core bit)	mm	68	68	68	68	68
– Steel	mm	13	13	13	13	13
– Wood	mm	30	30	30	30	30
Weight according to EPTA-Procedure 01/2003	kg	2.7	2.7	2.7	2.7	2.9
Protection class		□ / II	□ / II	□ / II	□ / II	□ / II

The values given are valid for nominal voltages [U] of 230/240 V. For lower voltages and models for specific countries, these values can vary.

Please observe the article number on the type plate of your power tool. The trade names of individual tools may vary.

Product Features

The numbering of the product features refers to the illustration of the power tool on the graphics page.

- 1 Quick change keyless chuck (GBH 2-26 DFR)
- 2 SDS-plus quick change chuck (GBH 2-26 DFR)
- 3 SDS-plus tool holder
- 4 Dust protection cap
- 5 Locking sleeve
- 6 Lock ring for rapid-change chuck (GBH 2-26 DFR)
- 7 Rotational direction switch (GBH 2-26 RE/DRE/DFR)
- 8 Lock-on button for On/Off switch
- 9 On/Off switch
- 10 Release button for mode selector switch
- 11 Mode selector switch
- 12 Button for depth stop adjustment

- 13 Depth stop
- 14 Auxiliary handle
- 15 Securing screw for key type drill chuck*
- 16 Key-type drill chuck*
- 17 SDS-plus adapter shank for drill chuck*
- 18 Drill chuck mounting (GBH 2-26 DFR)
- 19 Front sleeve of the quick change keyless chuck (GBH 2-26 DFR)
- 20 Retaining ring of the quick change keyless chuck (GBH 2-26 DFR)
- 21 Extraction sleeve of the dust extraction attachment*
- 22 Clamping screw for the dust extraction attachment*
- 23 Depth stop of the dust extraction attachment*
- 24 Telescopic pipe of the dust extraction attachment*
- 25 Wing bolt of the dust extraction attachment*
- 26 Guide pipe of the dust extraction attachment*
- 27 Universal bit holder with SDS-plus shank*

*The accessories illustrated or described are not included as standard delivery.

Assembly

- ▶ Before any work on the power tool itself, pull the mains plug.

Auxiliary Handle

- ▶ Operate your power tool only with the auxiliary handle 14.

Rotating the Auxiliary Handle (see figure A)

The auxiliary handle 14 can be set to any position for a secure and low-fatigue working posture.

Turn the bottom part of the auxiliary handle 14 in counterclockwise direction and swivel the auxiliary handle 14 to the desired position. Then retighten the bottom part of the auxiliary handle 14 by turning in clockwise direction.

Pay attention that the clamping band of the auxiliary handle is positioned in the groove on the housing as intended for.

Adjusting the Drilling Depth (see figure B)

The required drilling depth X can be set with the depth stop 13.

Press the button for the depth stop adjustment 12 and insert the depth stop into the auxiliary handle 14.

The knurled surface of the depth stop 13 must face downward.

Insert the SDS-plus drilling tool to the stop into the SDS-plus tool holder 3. Otherwise, the movability of the SDS-plus drilling tool can lead to incorrect adjustment of the drilling depth.

Pull out the depth stop until the distance between the tip of the drill bit and the tip of the depth stop correspond with the desired drilling depth X.

Selecting Drill Chucks and Tools

For hammer drilling and chiseling, SDS-plus tools are required that are inserted in the SDS-plus drill chuck.

For drilling without impact in wood, metal, ceramic and plastic as well as for screwdriving and thread cutting, tools without SDS-plus are used (e.g., drills with cylindrical shank). For these tools, a keyless chuck or a key type drill chuck are required.

Note: Do not use tools without SDS-plus for hammer drilling or chiseling! Tools without SDS-plus and their drill chucks are damaged by hammer drilling or chiseling.
GBH 2-26 DFR: The SDS-plus quick change chuck 2 can easily be replaced against the quick change keyless chuck 1 provided.

Changing the Key Type Drill Chuck (GBH 2-26 E/RE/DE/DRE)

To work with tools without SDS-plus (e.g., drills with cylindrical shank), a suitable drill chuck must be mounted (key type drill chuck or keyless chuck, accessories).

Mounting the Key Type Drill Chuck (see figure C)

Screw the SDS-plus adapter shank 17 into a key type drill chuck 16. Secure the key type drill chuck 16 with the securing screw 15. **Please observe that the securing screw has a left-hand thread.**

Inserting the Key Type Drill Chuck (see figure C)

Clean the shank end of the adapter shank and apply a light coat of grease.

Insert the key type drill chuck with the adapter shank into the tool holder with a turning motion until it automatically locks.

Check the locking effect by pulling the key type drill chuck.

Removing the Key Type Drill Chuck

Push the locking sleeve 5 toward the rear and pull out the key type drill chuck 16.

Removing/Inserting the Quick Change Chuck (GBH 2-26 DFR)

Removing the Quick Change Chuck (see figure D)

Pull the lock ring for the quick change chuck 6 toward the rear, hold it in this position and pull off the SDS-plus quick change chuck 2 or the quick change keyless chuck 1 toward the front.

After removing, protect the replacement chuck against contamination.

Inserting the Quick Change Chuck (see figure E)

Before inserting, clean the quick change chuck and apply a light coat of grease to the shank end.

Grasp the SDS-plus quick change chuck 2 or the quick change keyless chuck 1 completely with your hand. Slide the quick change chuck with a turning motion onto the drill chuck mounting 18 until a distinct latching noise is heard.

The quick change chuck is automatically locked. Check the locking effect by pulling the quick change chuck.

Changing the Tool

The dust protection cap **4** largely prevents the entry of drilling dust into the tool holder during operation. When inserting the tool, take care that the dust protection cap **4** is not damaged.

▶ **A damaged dust protection cap should be changed immediately. We recommend having this carried out by an after-sales service.**

Inserting SDS-plus Drilling Tools (see figure F)

The SDS-plus drill chuck allows for simple and convenient changing of drilling tools without the use of additional tools.

GBH 2-26 DFR: Insert the SDS-plus quick change chuck **2**.

Clean and lightly grease the shank end of the tool.

Insert the tool in a twisting manner into the tool holder until it latches itself.

Check the latching by pulling the tool.

As a requirement of the system, the SDS-plus drilling tool can move freely. This causes a certain radial run-out at no-load, which has no effect on the accuracy of the drill hole, as the drill bit centers itself upon drilling.

Removing SDS-plus Drilling Tools (see figure G)

Push back the locking sleeve **5** and remove the tool.

Inserting Drilling Tools without SDS-plus (GBH 2-26 E/RE/DE/DRE)

Note: Do not use tools without SDS-plus for hammer drilling or chiseling! Tools without SDS-plus and their drill chucks are damaged by hammer drilling or chiseling.

Insert a key type drill chuck **16** (see "Changing the Key Type Drill Chuck", page 9).

Open the key-type drill chuck **16** by turning until the tool can be inserted. Insert the tool.

Insert the chuck key into the corresponding holes of the key type drill chuck **16** and clamp the tool uniformly.

Turn the mode selector switch **11** to the "Drilling" position.

Removing Drilling Tools without SDS-plus (GBH 2-26 E/RE/DE/DRE)

Turn the sleeve of the key type drill chuck **16** with the drill chuck key in anticlockwise direction until the drilling tool can be removed.

Inserting Drilling Tools without SDS-plus (GBH 2-26 DFR) (see figure H)

Note: Do not use tools without SDS-plus for hammer drilling or chiseling! Tools without SDS-plus and their drill chucks are damaged by hammer drilling or chiseling.

Insert the quick change keyless chuck **1**.

Firmly hold the retaining ring **20** of the quick change chuck. Open the tool holder by turning the front sleeve **19** until the tool can be inserted. Tightly hold the retaining ring **20** and firmly turn the front sleeve **19** in the direction of the arrow until a distinct latching noise can be heard.

Check the tight seating by pulling the tool.

Note: If the tool holder was opened to the stop, then the latching noise possibly may be heard while closing the tool holder and the tool holder will not close.

In this case, turn the front sleeve **19** once in the opposite direction of the arrow. Afterwards, the tool holder can be closed (tightened) again.

Turn the mode selector switch **11** to the "Drilling" position.

Removing Drilling Tools without SDS-plus (GBH 2-26 DFR) (see figure I)

Firmly hold the retaining ring **20** of the quick change chuck. Open the tool holder by turning the front sleeve **19** in the direction of the arrow until the tool can be removed.

Dust Extraction with the Dust Extraction Attachment (Accessory)

Mounting the Dust Extraction Attachment (see figure J)

For dust extraction, the dust extraction attachment (accessory) is required. When drilling, the dust extraction attachment retracts so that the attachment head is always close to the surface at the drill hole.

Press the button for depth stop adjustment **12** and remove the depth stop **13**. Press button **12** again and insert the dust extraction attachment into the auxiliary handle **14** from the front.

Connect an extraction hose (diameter 19 mm, accessory) to the extraction sleeve **21** of the dust extraction attachment.

The vacuum cleaner must be suitable for the material being worked.

When vacuuming dry dust that is especially detrimental to health or carcinogenic, use a special vacuum cleaner.

Adjusting the Drilling Depth on the Dust Extraction Attachment (see figure K)

The required drilling depth **X** can also be adjusted when the dust extraction attachment is mounted.

Insert the SDS-plus drilling tool to the stop into the SDS-plus tool holder **3**. Otherwise, the movability of the SDS-plus drilling tool can lead to incorrect adjustment of the drilling depth.

Loosen the wing bolt **25** on the dust extraction attachment.

Without switching the power tool on, apply it firmly to the drilling location. The SDS-plus drilling tool must face against the surface.

Position the the guide pipe **26** of the dust extraction attachment in its holding fixture in such a manner that the head of the dust extraction attachment faces against the surface to be drilled. Do not slide the guide pipe **26** further over the telescopic pipe **24** of the dust extraction attachment than required, so that as much as possible of the scale **24** on the telescopic pipe remains visible.

Retighten the wing bolt **25** again. Loosen the clamping screw **22** on the depth stop of the dust extraction attachment.

Move the depth stop **23** on the telescopic pipe **24** in such a manner that the clearance **X** shown in the figure corresponds with the required drilling depth.

Tighten the clamping screw **22** in this position.

Operation

Starting Operation

► **Observe correct mains voltage! The voltage of the power source must agree with the voltage specified on the type plate of the power tool.**

Setting the Operating Mode

The operating mode of the power tool is selected with the mode selector switch **11**.

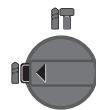
Note: Change the operating mode only when the machine is switched off! Otherwise, the machine can be damaged.

To change the operating mode, push the release button **10** and turn the mode selector switch **11** to the requested position until it can be heard to latch.

GBH 2-26 E/RE



Position for **hammer drilling** in concrete or stone



Position for **drilling** without impact in wood, metal, ceramic and plastic as well as for screwdriving and thread cutting

Vario-Lock position for adjustment of the chiseling position

The mode selector switch **11** does not latch in this position.

Position for **chiseling**

GBH 2-26 DE/DRE/DFR



Reversing the Rotational Direction (GBH 2-26 RE/DRE/DFR)

The rotational direction switch **7** is used to reverse the rotational direction of the machine. However, this is not possible with the On/Off switch **9** actuated.

↻ **Right rotation:** Turn the selector switch for drilling/hammer drilling **7** on both sides to the stop in the position ◀.

↻ **Left rotation:** Turn the selector switch for drilling/hammer drilling **7** on both sides to the stop in the position ▶.

Set the direction of rotation for hammer drilling, drilling and chiseling always to right rotation.

Switching On and Off

To **start** the machine, press the On/Off switch **9**.

To **lock** the On/Off switch, keep it pressed and additionally push the lock-on button **8**.

To **switch off** the machine, release the On/Off switch **9**. When the On/Off switch **9** is locked, press it first and then release it.

Setting the Speed/Impact Rate

The speed/impact rate of the switched on power tool can be variably adjusted, depending on how far the On/Off switch **9** is pressed.

Light pressure on the On/Off switch **9** results in low speed/impact rate. Further pressure on the switch increases the speed/impact rate.

Overload Clutch

- ▶ **If the tool insert becomes caught or jammed, the drive to the drill spindle is interrupted. Because of the forces that occur, always hold the power tool firmly with both hands and provide for a secure stance.**
- ▶ **If the power tool jams, switch the machine off and loosen the tool insert. When switching the power tool on with the drilling tool jammed, high reaction torques can occur.**

Working Instructions

Changing the Chiselling Position (Vario-Lock) (GBH 2-26 DE/DRE/DFR)

The chisel can be locked in 36 positions. In this manner, the optimum working position can be set for each application.

Insert the chisel into the tool holder.

Turn the mode selector switch **11** to the "Vario-Lock" position (see "Setting the Operating Mode", page 11).

Turn the tool holder to the desired chiselling position.

Turn the mode selector switch **11** to the chiseling position. The tool holder is now locked.

For chiseling, set the rotation direction to right rotation.

Inserting Screwdriver Bits (see figure L)

- ▶ **Apply the power tool to the screw/nut only when it is switched off.** Rotating tool inserts can slip off.

To work with screwdriver bits, a universal bit holder **27** with SDS-plus shank (accessory) is required.

Clean the shank end of the adapter shank and apply a light coat of grease.

Insert the universal bit holder with a turning motion into the tool holder until it automatically locks.

Check the locking effect by pulling the universal bit holder.

Insert a screwdriver bit into the universal bit holder. Use only screwdriver bits that match the screw head.

To remove the universal bit holder, pull the locking sleeve **5** toward the rear and remove the universal bit holder **27** out of the tool holder.

Maintenance and Service

Maintenance and Cleaning

- ▶ **Before any work on the power tool itself, pull the mains plug.**
- ▶ **For safe and proper working, always keep the power tool and the ventilation slots clean.**
- ▶ **A damaged dust protection cap should be changed immediately. We recommend having this carried out by an after-sales service.**

Clean the tool holder **3** each time after using.

If the power tool should fail despite the care taken in manufacturing and testing procedures, repair should be carried out by an after-sales service center for Bosch power tools.

In all correspondence and spare parts orders, please always include the 10-digit article number given on the type plate of the power tool.

Service and Customer Assistance

Exploded views and information on spare parts can be found under:

www.bosch-pt.com

In case of a claim, repair or purchase of replacement parts or in case of queries or other problems, please contact your local dealer or Bosch representative.

People's Republic of China

Website: www.bosch-pt.com.cn

China Mainland

Bosch Power Tools (China) Co., Ltd.

567, Bin Kang Road

Bin Jiang District 310052

Hangzhou, P.R.China

Service Hotline: 800 8 20 84 84

☎+86 571 87 77 43 38

Fax:+86 571 87 77 45 02

HK and Macau Special Administrative Regions

Melchers (H.K.) Ltd, Room 1210

Shun Tak Centre, West-Tower

168 – 200 Connaught Road, Central Hong Kong

Customer Service Hotline:+852 25 89 15 61

Fax:+852 25 48 79 14

E-Mail: bosch@melchers.com.hk

Indonesia

P. T. Multi Tehaka
Karang Anyar Permai Block B-24
Jl. Karang Anyar No. 55
Jakarta Pusat 10740
Indonesia
☎ +62 21 6 59 52 22 (5 lines)
Fax +62 21 6 59 52 52 - 3
sales@bosch.co.id
www.bosch.co.id

Philippines

Robert Bosch, Inc.
Zuellig Building
Sen. Gil Puyat Avenue
Makati City 1200, Metro Manila
Philippines
☎ +63 2 8 17 32 31
www.bosch.com.ph

Malaysia

Robert Bosch (SEA.) Pte. Ltd.
No. 8a, Jalan 13/6
Selangor Darul Ehsan
Petaling Jaya 46200
Malaysia
☎ +60 3 79 58 30 00
Fax (EW Dept.) +60 3 79 58 38 38
www.bosch.com.sg

Thailand

Robert Bosch Ltd.
Liberty Square Building
No. 287, 11 Floor
Silom Road, Bangrak
Bangkok 10500
☎ +66 2 6 31 18 79 - 18 88 (10 lines)
Fax +66 2 2 38 47 83
Robert Bosch Ltd., P. O. Box 2054
Bangkok 10501, Thailand
Bosch Service - Training Centre
2869-2869/1 Soi Ban Kluay
Rama IV Road (near old Paknam Railway)
Prakanong District
10110 Bangkok
Thailand
☎ +66 26 71 78 00 - 4
Fax +66 2 2 49 42 96
Fax +66 2 2 49 52 99

Singapore

Robert Bosch (SEA.) Pte. Ltd.
38 C Jalan Pemimpin
Singapore 915701
Republic of Singapore
☎ +65 3 50 54 94
Fax +65 3 50 53 27
www.bosch.com.sg

Vietnam

Saigon Trade Center
37 Ton Duc Thang St
Ben Nghe Ward
Dist 1
HCMC
Vietnam
☎ +84 8 9 11 13 74 - 9 11 13 75
Fax +84 8 9 11 13 76

Australia and New Zealand

Robert Bosch Australia Pty. Ltd.
RBAU/SPT
1555 Centre Road
P.O. Box 66
3168 Clayton/Victoria
☎ +61 (0)1 / 3 00 30 70 44
Fax +61 (0)1 / 3 00 30 70 45
www.bosch.com.au

Disposal

Power tools, accessories and packaging should be sorted for environmental-friendly recycling.

Subject to change without notice.

针对电动工具的一般性警告提示

警告 阅读所有的警告提示和指示。如未确实遵循警告提示和指示，可能导致电击、火灾并且/或其他的严重伤害。

妥善保存所有的警告提示和指示，以便日后查阅。

在警告提示和指示中使用的“电动工具”是指必须连接电源的电动工具（配备电线）和使用蓄电池的电动工具（无电线）。

1) 工作场所的安全规章

- a) 工作场所必须保持乾淨并且照明要充足。杂乱或昏暗的工作场所容易导致意外。
- b) 不可在有爆炸危险的环境下操作本电动工具。有爆炸危险的环境是指充斥了易燃液体、瓦斯或尘埃的工作场所。操作机器时会产生火花，火花容易引燃尘埃或易燃蒸汽。
- c) 操作机器时不可让儿童或旁观者靠近工作场所。工作时如果因为第三者的干扰而分散注意力可能导致操作失控。

2) 使用电器用品的安全指示

- a) 使用的插座必须能够配合电动工具的插头。切勿擅自更改插头。转接插头不可以和接了地线的电动工具一起使用。使用机器出厂时的原装插头和合适的插座可以降低遭受电击的危险。
- b) 避免让身体碰触接地的物体，例如水管、散热器、电炉和冰箱等。如果您的身体接地了，非常容易遭受电击。
- c) 机器必须远离雨水或湿气。如果让水渗入电动工具中，会提高操作者遭受电击的危险。
- d) 正确地处理电线。不可以使用电线提携电动工具、悬挂电动工具或者以抽拉电线的方式拔出插头。电线必须远离高温、油垢、锋利的边缘或转动中的机件。电线如果受损或缠绕在一起，会提高操作者遭受电击的危险。
- e) 如果在户外使用电动工具，只能使用合适的户外专用延长线。使用合格的户外专用延长线，可降低操作者遭受电击的危险。
- f) 如果无法避免的，必须在潮湿的环境中使用本电动工具，得使用剩馀电流保护开关。使用剩馀电流保护开关可以预防遭受电击。

3) 针对操作者的安全指示

- a) 工作时务必要全神贯注，不但要保持头脑清醒更要理性地操作电动工具。疲惫、喝酒或服用毒品、兴奋剂、药物之后，切勿操作电动工具。使用电动工具时只要稍微分心便可能发生后果严重的意外。

b) 穿好您个人的防护装备并戴上护目镜。根据所使用的电动工具穿戴合适的防护装备，例如防尘面罩、止滑工作鞋、安全帽或耳罩，可降低工作伤害的发生机率。

c) 避免意外启动机器。插上插头并且/或安装蓄电池之前，提起或搬运机器之前，务必先检查电动工具是否处在关闭状况。如果您在提携电动工具时，手指接触了开关，或著在连接电源时，起停开关仍然设定在开动位置，都可能造成极严重的意外。

d) 开动电动工具之前必须拆除仍然插在机器上的调整工具/或螺丝扳手。如果机器已经开始转动，而机器上仍然插著调整工具，很容易伤害使用者。

e) 避免错误的持机姿势。操作机器时要确保立足稳固，並要随时保持平衡。正确的操作姿势能够帮助您在突发状况下及时控制住电动工具。

f) 穿著合适的工作服。工作时不可以穿太宽鬆的衣服，也不可以戴首饰。不可以让头髮、衣服和手套接触机器上的转动机件。宽鬆的衣物、长髮或首饰容易被捲入转动的机件中。

g) 如果能够在机器上安装吸尘装置、集尘装备，务必按照指示安装此类辅助工具，並且正确地操作该装置。使用吸尘装备可以防止工作尘危害人体。

4) 小心地使用和处理电动工具

- a) 勿让机器承载过重的负荷。根据工作性质选择适合的电动工具。正确地选用电动工具可以在规定的功率范围中，更有效率更安全的操作机器。
- b) 勿使用开关故障的电动工具。如果无法正常操控起停开关，极容易在操作机器时产生意外。尽快将故障的机器送修。
- c) 在调整机器设定、更换零件或不使用机器时，都必须先从插座上拔出插头并且/或取出蓄电池。这个预防措施可以避免不小心开动电动工具。
- d) 不使用电动工具时，必须把机器存放在儿童无法取得之处。勿让不熟悉机器操作方法及未阅读本说明书的人使用本机器。让经验不足的人操作电动工具容易发生意外。
- e) 细心地保养、维护电动工具。检查机器上的转动零件是否运作正常，並确定是否有零件断裂或损坏。故障的机件会影响电动工具的运作功能。使用机器之前务必先更换或修理故障的机件。若未彻底执行机器的维护工作容易导致工作意外。
- f) 切割工具必须保持锋利、清洁。经过细心保养而且刀刃锋利的切割工具不易被夹住，而且较容易操作。

g) 遵照这些指示使用电动工具、配件及安装在机器上的工具。另外也必须注意有关机器操作方式及机器适用范围的解说。如果使用电动工具执行不符合该机器性能的工作，极容易发生意外。

5) 检修服务

a) 只能将电动工具交给合格的专业人员检修。检修时只能换装原厂零、配件。唯有如此才能确保机器的安全性能。

针对机器的安全指示

- ▶ **佩戴耳罩。**工作噪音会损坏听力。
- ▶ **请使用电动工具附带的辅助手柄。**如果无法控制好电动工具容易造成伤害。
- ▶ **使用合适的侦测装置侦察隐藏的电线，或者向当地的相关单位寻求支援。**接触电线可能引起火灾并且让操作者触电。损坏了瓦斯管会引起爆炸。凿穿水管不仅会造成严重的财物损失，也可能导致触电。
- ▶ **工作时必须用双手握紧电动工具，并且要确保立足稳固。**使用双手比较能够握稳电动工具。
- ▶ **固定好工件。**使用固定装置或老虎钳固定工件，会比用手持握工件更牢固。
- ▶ **勿加工含石棉的物料。**石棉可能致癌。
- ▶ **如果操作机器时会产生有害健康、易燃或可能引爆的废尘，务必采取适当的防护措施。**例如针对某些可能导致癌症的尘埃，务必戴上防尘面具，如果能够在机器上安装吸尘器，也要加装此机件。
- ▶ **工作场所必须保持清洁。**不同的工作尘经过混合后容易产生化学反应，十分危险。轻金属尘容易着火或引起爆炸。
- ▶ **等待电动工具完全静止后才能够放下机器。**机器上的工具可能在工作中被夹住，而令您无法控制电动工具。
- ▶ **勿使用电线已经损坏的电动工具。如果电源电线在工作中受损，千万不可触摸损坏的电线，并马上拔出插头。**损坏的电线会提高使用者触电的危险。

功能解说



阅读所有的警告提示和指示。如未确实遵循警告提示和指示，可能导致电击、火灾并且 / 或其他的严重伤害。

翻开标示了机器详解图的折叠页。阅读操作指南时必须翻开折叠页参考。

按照规定使用机器

GBH 2-26 E/RE

本电动工具可以在混凝土、砖墙、和石材上进行震动钻。另外也可以使用本电动工具在木材、金属、陶材和塑料上进行无震动功能的正常钻。配备电子调节装置和正 / 逆转开关的机器也可以拧入 / 拧出螺丝或攻丝。

GBH 2-26 DE/DRE/DFR

本电动工具可以在混凝土、砖墙、和石材上进行震动钻，而且也具备了简单的凿削功能。另外也可以使用本电动工具在木材、金属、陶材和塑料上进行无震动功能的正常钻。配备电子调节装置和正 / 逆转开关的机器也可以拧入 / 拧出螺丝或攻丝。

技术数据

电锤 GBH ... Professional	2-26 E	2-26 RE	2-26 DE	2-26 DRE	2-26 DFR
物品代码	0 611 251 6..	0 611 251 7..	0 611 253 6..	0 611 253 7..	0 611 254 7..
转速控制装置	●	●	●	●	●
制动功能	—	—	●	●	●
正 / 逆转功能	—	●	—	●	●
活动式夹头	—	—	—	—	●
标称输入功率	瓦 800	800	800	800	800
额定转速下的冲击次数	次 / 分 0-4000	0-4000	0-4000	0-4000	0-4000
单一冲击强度	焦耳 0-3,0	0-3,0	0-3,0	0-3,0	0-3,0
标称转速	次 / 分 0-900	0-900	0-900	0-900	0-900
工具夹头	SDS-plus	SDS-plus	SDS-plus	SDS-plus	SDS-plus
主轴颈直径	毫米 50	50	50	50	50
最大钻孔直径:					
- 混凝土	毫米 26	26	26	26	26
- 土墙 (使用空心钻头)	毫米 68	68	68	68	68
- 钢板	毫米 13	13	13	13	13
- 木材	毫米 30	30	30	30	30
重量符合					
EPTA-Procedure 01/2003	公斤 2,7	2,7	2,7	2,7	2,9
绝缘等级	□ / II	□ / II	□ / II	□ / II	□ / II

本说明书提供的参数是以 230/240 V 为依据，於低电压地区，此数据有可能不同。

请认清电动工具铭牌上的物品代码。电动工具在销售市场上没有统一的商品名称。

插图上的机件

机件的编号和电动工具详解图上的编号一致。

- 1 快速夹头 (GBH 2-26 DFR)
- 2 SDS-plus- 夹头 (GBH 2-26 DFR)
- 3 SDS-plus 工具接头
- 4 防尘盖
- 5 锁定套筒
- 6 夹头固定环 (GBH 2-26 DFR)
- 7 正逆转开关 (GBH 2-26 RE/DRE/DFR)
- 8 起停开关的锁紧键
- 9 起停开关
- 10 针对冲击 / 转动停止开关的解锁按键
- 11 冲击 / 转动停止开关
- 12 调整深度尺的按键
- 13 深度尺

- 14 辅助手柄
- 15 齿环夹头上的固定螺丝*
- 16 齿环夹头*
- 17 夹头的 SDS-plus 接头柄*
- 18 夹头的接头 (GBH 2-26 DFR)
- 19 快速夹头的头前套筒 (GBH 2-26 DFR)
- 20 快速夹头的固定环 (GBH 2-26 DFR)
- 21 吸尘装备 (Saugfix) 的吸孔*
- 22 吸尘装备 (Saugfix) 的拧紧螺丝*
- 23 吸尘装备 (Saugfix) 的深度挡块*
- 24 吸尘装备 (Saugfix) 的伸缩尺*
- 25 吸尘装备 (Saugfix) 的蝶翼螺丝*
- 26 吸尘装备 (Saugfix) 的导管*
- 27 有 SDS-plus 接头柄的通用连杆*

*图表或说明上提到的附件，并非全部包含在供货范围中。

安装

- ▶ **维修电动工具或换装零、配件之前，务必从插座上拔出插头。**

辅助手柄

- ▶ **操作电动工具时务必使用辅助手柄 14。**

转动辅助手柄（参考插图 A）

您可以根据需要改变辅助手柄 14 的位置，以提高工作安全和增加工作的舒适性。

朝著逆时针方向转动辅助手柄 14。把辅助手柄 14 摆动到需要的位置。接著再朝顺时针方向拧紧辅助手柄 14。

注意，辅助手柄的固定套圈必须位在机壳上的固定套圈专属凹槽中。

调整钻深（参考插图 B）

使用深度尺 13 可以设定需要的钻深 X。

按下调整深度尺的按键 12，再把深度尺装入辅助手柄 14 中。

深度尺 13 上的肋纹必须朝下。

把 SDS-plus 工具插入 SDS-plus 接头 3 中，并把工具推到底。如果未安装好工具，会影响设定深度的准确性。

适当调整深度尺，从钻咀尖端到深度尺尖端的距离必须和需要的钻深 X 一致。

选择夹头和工具

进行锤钻和凿削时，必须使用能够安装在 SDS-plus- 夹头上的 SDS-plus- 工具。

在木材、金属、陶材和塑料上进行无震动功能的正常钻，以及拧转螺丝和攻丝时必须使用无 SDS-plus 系统的工具（例如有圆柱柄的钻头）。使用此类钻头时必须先在机器上安装快速夹头或齿环夹头。

指示：不可以使用无 SDS-plus 系统的工具进行锤钻和凿削！没有 SDS-plus 系统的工具和夹头会在进行锤钻和凿削时受损。

GBH 2-26 DFR: 可使用快速夹头 1（包含在供货范围中）替代 SDS-plus 夹头 2，更换过程快速简便。

更换齿环夹头 (GBH 2-26 E/RE/DE/DRE)

必须在机器上安装合适的夹头（齿环夹头，快速夹头或附件）后，才能使用无 SDS-plus 的工具（例如有圆柱柄的钻头）。

组合齿环夹头（参考插图 C）

把有 SDS-plus 接头柄的通用连杆 17 转入齿环夹头 16 中。以螺丝 15 固定齿环夹头 16。注意，固定螺丝有左螺纹。

安装齿环夹头（参考插图 C）

清洁接头柄的末端并在接头柄末端涂抹少许油脂。

把齿环夹头的接头柄拧入机器的工具接头中，至接头柄自动锁定为止。

抽拉齿环夹头，以确定夹头是否已经锁定了。

拆卸齿环夹头

向后抽拉锁定套筒 5，接著便可以拔出齿环夹头 16。

拆卸 / 安装夹头 (GBH 2-26 DFR)

拆卸夹头（参考插图 D）

向后抽拉夹头固定环 6 並握住固定环，接著便可以朝前拔出 SDS-plus 夹头 2 或快速夹头 1。

保护被拆下的夹头免受污垢沾染。

安装夹头（参考插图 E）

先清洁夹头然后再安装，必须在接头柄的末端涂抹少许油脂。

握住 SDS-plus 夹头 2 或快速夹头 1，把夹头拧入接头 18 中直至能够清楚地听到卡牢声响为止。

此时夹头已经自动锁定。但是仍要抽拉夹头检查其是否已经正确套紧。

更换工具

防尘盖 **4** 可以防止工作时凿削废尘侵入夹头中。安装工具时必须小心，勿损坏防尘盖 **4**。

▶ **如果防尘盖损坏了必须马上更换。最好委托本公司的客户服务处换装。**

安装 SDS-plus 工具（参考插图 F）

有了 SDS-plus 夹头，不必使用工具也可以快速便利地安装钻头。

GBH 2-26 DFR: 安装 SDS-plus 夹头 **2**。

清洁工具柄并在柄上涂少许润滑油。

把工具转入工具夹头中，至工具自动锁牢为止。

抽拉工具以确定它是否正确锁紧了。

SDS-plus 系统的工具是活动的，因此在无负载状态下此类工具会偏心旋转。开始钻孔时工具便会自动定心，所以上述现象并不会影响钻孔的准确度。

拆卸 SDS-plus 工具（参考插图 G）

向后推移锁定套筒 **5** 并取出工具。

安装无 SDS-plus 的工具 (GBH 2-26 E/RE/DE/DRE)

指示: 不可以使用无 SDS-plus 系统的工具进行锤钻和凿削！没有 SDS-plus 系统的工具和夹头会在进行锤钻和凿削时受损。

装上齿环夹头 **16**（参考“更换齿环夹头”，第 17 页）。转动齿环夹头 **16** 至能够装入工具为止，安装好工具。

把夹头扳手插入齿环夹头 **16** 上的扳手孔中，均匀地拧紧扳手来固定好工具。

把冲击 / 转动停止开关 **11** 拧转到“正常钻”的位置。

拆卸无 SDS-plus 的工具 (GBH 2-26 E/RE/DE/DRE)

使用夹头扳手，朝著逆时针方向转动齿环夹头 **16** 上的套筒，至能够拿出工具为止。

安装无 SDS-plus 的工具 (GBH 2-26 DFR)

（参考插图 H）

指示: 不可以使用无 SDS-plus 系统的工具进行锤钻和凿削！没有 SDS-plus 系统的工具和夹头会在进行锤钻和凿削时受损。

装上快速夹头 **1**。

握紧快速夹头的固定环 **20**，拧转前套筒 **19** 来打开工具夹头，必须把夹头张开到能够装入钻头为止。握紧固定环 **20** 并朝著箭头的方向用力地转动前套筒 **19**，至能够清楚地听到棘轮的摩擦声为止。

以抽拉的方式，检查工具是否已经装牢了。

指示: 当工具夹头被完全打开之后如果想再度关闭夹头，可能发生只听到棘轮的摩擦声却无法关闭夹头的情况。此时必须朝著箭头的相反方向转动前套筒 **19**，接著便能够再度关闭夹头。

把冲击 / 转动停止开关 **11** 拧转到“正常钻”的位置。

拆卸无 SDS-plus 的工具 (GBH 2-26 DFR)

（参考插图 I）

握紧快速夹头的固定环 **20** 朝著箭头的指示方向转动前套筒 **19** 至能够拿出工具为止。

使用吸尘装备（Saugfix）吸尘（附件）

安装吸尘装备（Saugfix）（参考插图 J）

吸尘装备 Saugfix（附件）是用来吸取钻孔时产生的废尘。当钻头吃入工件中时吸尘装备会向后回缩，这样可以确保吸尘装备能够紧贴着工件表面。

按住辅助手柄上的按键 **12**，拔出深度尺 **13**。再度按下按键 **12**，把吸尘装备从机器前端插入辅助把手 **14** 中。

在吸尘装备的吸孔 **21** 上安装吸尘软管（管径 **19** 毫米，附件）。

根据工件的物料选择合适的吸尘装置。

吸集可能危害健康，可能导致癌症或干燥的废尘时，务必使用特殊的吸尘装置。

在吸尘装备上设定钻孔深度（参考插图 K）

安装了吸尘装备后也能够设定钻孔深度 **X**。

把 SDS-plus 工具插入 SDS-plus 接头 **3** 中，并把工具推到底。如果未安装好工具，会影响设定深度的准确性。

松开吸尘装备上的蝶翼螺丝 **25**。

把尚未开动的电动工具紧紧地顶在工件上。SDS-plus-工具也必须紧贴着工件。

推移吸尘装备的导管 **26**，让装备的顶端能够靠在钻孔表面上。不可以过度推出导管 **26**，这样可能遮盖了伸缩尺 **24** 上的刻度。尽可能充分利用伸缩尺 **24** 上的刻度。

收紧蝶翼螺丝 **25**。放松吸尘装备上深度挡块的拧紧螺丝 **22**。

调整伸缩尺 **24** 上的深度挡块 **23** 的位置以设定钻深。插图中的线段长度 **X** 便是实际需要的钻孔深度

拧紧螺丝 **22** 把挡块固定在这个位置。

操作

操作机器

- ▶ **注意电源的电压！电源的电压必须和电动工具铭牌上标示的电压一致。**

设定操作模式

使用冲击 / 转动停止开关 **11** 设定电动工具的操作功能。

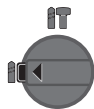
指示：务必先关闭电动工具，然后才可以改变操作功能！否则会损坏电动工具。

变换操作功能时必须先按下解锁按键 **10**，接著再把冲击 / 转动停止开关 **11** 拧转到需要的功能上，转换功能时必须能够听见开关 吻合的声响。

GBH 2-26 E/RE



在混凝土或石材上进行**震动钻**时的设定方式



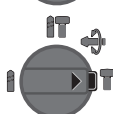
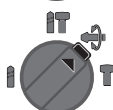
在木材、金属、陶材和塑料上进行**正常钻**，以及拧转螺丝和攻丝时的开关位置

Vario-Lock，改变凿头的开关位置

在这个位置冲击 / 转动停止开关 **11** 不会齿合。

进行**凿削**时的开关位置

GBH 2-26 DE/ DRE/DFR



改变转向 (GBH 2-26 RE/DRE/DFR)

使用正逆转开关 **7** 可以改变机器的转向。如果按住了起停开关 **9**，则无法改变转向。

☞ **正转：**把机器两侧的正逆转开关 **7** 推到底，让开关停留在此符号上 ←。

☞ **逆转：**把机器两侧的正逆转开关 **7** 推到底，让开关停留在此符号上 →。

进行震动钻、正常钻和凿削时，都必须把转向设定为正转。

开动 / 关闭

按下起停开关 **9**，可以**开动** 电动工具。

锁定 起停开关，按住起停开关并同时按下锁紧键 **8**。

关闭 电动工具，放开起停开关 **9**。如果起停开关 **9** 被锁定了，先按下起停开关接著再放开开关。

调整转速 / 冲击次数

随著在起停开关 **9** 上施压大小，可以无级式地提高或降低转速 / 冲击次数。

轻按起停开关 **9**，机器以低转速 / 冲击次数运作。增强施加在起停开关上的压力，可以提高机器的转速 / 冲击次数。

过载离合器

▶ **如果工具卡住了，传往主轴的动力会中断。此时会产生非常大的震动力。因此操作机器时务必要用双手握紧机器，并且要确保立足稳固。**

▶ **如果电动工具卡住了，先关闭电动工具，再取出工具。开动工具被卡住的电动工具，会产生很高的反应力矩。**

有关操作方式的指点

改变凿头位置 (Vario-Lock) (GBH 2-26 DE/DRE/DFR)

凿头有 **36** 个不同的锁定位置。如此可确保最佳的工作姿势。

把凿头装入工具夹头中。

把冲击 / 转动停止开关 **11** 拧转到 "Vario-Lock" 的设定位置上 (参考 "设定操作模式"，第 **19** 页)。

把工具夹头旋转到需要的凿击位置。

把冲击 / 转动停止开关 **11** 拧转到 "凿削" 功能的位置上。此时工具会自动被锁定。

进行凿削时必须把转向设定为正转。

安装螺丝批嘴 (参考插图 L)

▶ **先关闭电动工具，然后再把工具放置在螺母 / 螺丝上。** 安装在接头上的工具如果仍继续转动，容易从螺丝头上滑开。

使用螺丝批嘴时必须先在机器上安装有 SDS-plus 接头柄的通用连杆 **27**。

清洁接头柄的末端并在接头柄末端涂抹少许油脂。

把通用连杆拧入工具接头中，并让连杆自动锁定。

抽拉连杆，检查连杆是否已经正确锁牢。

把螺丝批嘴插入通用连杆中。必须使用与螺丝头大小相符的螺丝批嘴。

拆卸通用连杆时必须先向后抽拉锁定套筒 **5**，接著便可以从工具接头上取出通用连杆 **27**。

维修和服务

维修和清洁

- ▶ **维修电动工具或换装零、配件之前，务必从插座上拔出插头。**
- ▶ **电动工具和通风间隙都必须保持清洁，这样才能够提高工作品质和安全性。**
- ▶ **如果防尘盖损坏了必须马上更换。最好委托本公司的顾客服务处换装。**

每次操作完毕后，都得清洁工具接头 **3**。

本公司生产的电动工具都经过严密的品质检验，如果机器仍然发生故障，请将机器交给博世电动工具公司授权的顾客服务处修理。

询问和订购备件时，务必提供机器铭牌上标示的 10 位数字物品代码。

服务与顾客咨询

有关机器分解图和备用零件的资料请参阅：

www.bosch-pt.com

有关保证，维修或更换零件事宜，请向合格的经销商查询。

中华人民共和国

网址：www.bosch-pt.com.cn

中国大陆

博世电动工具（中国）有限公司

中国，浙江省，杭州市

滨江区，滨康路 567 号

邮编 310052

客户服务热线：.....800 8 20 84 84

电话：.....+86 571 87 77 43 38

传真：.....+86 571 87 77 45 02

香港和澳门特别行政区

美最时（香港）有限公司

香港上环干诺道中 168-200 号

信德中心西座 1210 室

客户服务热线：.....+852 25 89 15 61

传真：.....+852 25 48 79 14

电邮：bosch@melchers.com.hk

处理废弃物

必须以符合环保的方式，回收再利用损坏的机器、附件和废弃的包装材料。

保留修改权。

針對電動工具的一般性警告提示

警告 閱讀所有的警告提示和指示。如未確實遵循警告提示和指示，可能導致電擊、火災並且/或其他的嚴重傷害。

妥善保存所有的警告提示和指示，以便日後查閱。

在警告提示和指示中使用的 " 電動工具 " 是指必須連接電源的電動工具（配備電線）和使用蓄電池的電動工具（無電線）。

1) 工作場所的安全規章

- 工作場所必須保持乾淨並且照明要充足。雜亂或昏暗的工作場所容易導致意外。
- 不可在有爆炸危險的環境下操作本電動工具。有爆炸危險的環境是指充斥了易燃液體、瓦斯或塵埃的工作場所。操作機器時會產生火花，火花容易引燃塵埃或易燃蒸汽。
- 操作機器時不可讓兒童或旁觀者靠近工作場所。工作時如果因為第三者的干擾而分散注意力可能導致操作失控。

2) 使用電器用品的安全指示

- 使用的插座必須能夠配合電動工具的插頭。切勿擅自更改插頭。轉接插頭不可以和接了地線的電動工具一起使用。使用機器出廠時的原裝插頭和合適的插座可以降低遭受電擊的危險。
- 避免讓身體碰觸接地的物體，例如水管、散熱器、電爐和冰箱等。如果您的身體接地了，非常容易遭受電擊。
- 機器必須遠離雨水或濕氣。如果讓水滲入電動工具中，會提高操作者遭受電擊的危險。
- 正確地處理電線。不可以使用電線提攜電動工具、懸掛電動工具或者以抽拉電線的方式拔出插頭。電線必須遠離高溫、油垢、鋒利的邊緣或轉動中的機件。電線如果受損或纏繞在一起，會提高操作者遭受電擊的危險。
- 如果在戶外使用電動工具，只能使用合適的戶外專用延長線。使用合格的戶外專用延長線，可降低操作者遭受電擊的危險。
- 如果無法避免的，必須在潮濕的環境中使用本電動工具，得使用剩餘電流保護開關。使用剩餘電流保護開關可以預防遭受電擊。

3) 針對操作者的安全指示

- 工作時務必全神貫注，不但要保持頭腦清醒更要理性地操作電動工具。疲憊、喝酒或服用毒品、興奮劑、藥物之後，切勿操作電動工具。使用電動工具時只要稍微分心便可能發生後果嚴重的意外。
- 穿好您個人的防護裝備並戴上護目鏡。根據所使用的電動工具穿戴合適的防護裝備，例如防塵面罩、止滑工作鞋、安全帽或耳罩，可降低工作傷害的發生機率。
- 避免意外啓動機器。插上插頭並且/或安裝蓄電池之前，提起或搬運機器之前，務必先檢查電動工具是否處在關閉狀況。如果您在提攜電動工具時，手指碰觸了開關，或者在連接電源時，起停開關仍然設定在開動位置，都可能造成極嚴重的意外。
- 開動電動工具之前必須拆除仍然插在機器上的調整工具/或螺絲扳手。如果機器已經開始轉動，而機器上仍然插著調整工具，很容易傷害使用者。
- 避免錯誤的持機姿勢。操作機器時要確立足穩固，並要隨時保持平衡。正確的操作姿勢能夠幫助您在突發狀況下及時控制住電動工具。
- 穿著合適的工作服。工作時不可以穿太寬鬆的衣服，也不可以戴首飾。不可以讓頭髮、衣服和手套接觸機器上的轉動機件。寬鬆的衣物、長髮或首飾容易被捲入轉動的機件中。
- 如果能夠在機器上安裝吸塵裝置、集塵裝備，務必按照指示安裝此類輔助工具，並且正確地操作該裝置。使用吸塵裝備可以防止工作塵危害人體。

4) 小心地使用和處理電動工具

- 勿讓機器承載過重的負荷。根據工作性質選擇適合的電動工具。正確地選用電動工具可以在規定的功率範圍中，更有效率更安全的操作機器。
- 勿使用開關故障的電動工具。如果無法正常操控股起停開關，極容易在操作機器時產生意外。盡快將故障的機器送修。
- 在調整機器設定、更換零件或不使用機器時，都必須先從插座上拔出插頭並且/或取出蓄電池。這個預防措施可以避免不小心開動電動工具。

- d) 不使用電動工具時，必須把機器存放在兒童無法取得之處。勿讓不熟悉機器操作方法及未閱讀本說明書的人使用本機器。讓經驗不足的人操作電動工具容易發生意外。
- e) 細心地保養、維護電動工具。檢查機器上的轉動零件是否運作正常，並確定是否有零件斷裂或損壞。故障的機件會影響電動工具的運作功能。使用機器之前務必先更換或修理故障的機件。若未徹底執行機器的維護工作容易導致工作意外。
- f) 切割工具必須保持鋒利、清潔。經過細心保養而且刀刃鋒利的切割工具不易被夾住，而且較容易操作。
- g) 遵照這些指示使用電動工具、配件及安裝在機器上的工具。另外也必須注意有關機器操作方式及機器適用範圍的解說。如果使用電動工具執行不符合該機器性能的工作，極容易發生意外。

5) 檢修服務

- a) 只能將電動工具交給合格的專業人員檢修。檢修時只能換裝原廠零、配件。唯有如此才能確保機器的安全性能。

針對機器的安全指示

- ▶ **佩戴耳罩。**工作噪音會損壞聽力。
- ▶ **請使用電動工具附帶的輔助手柄。**如果無法控制好電動工具容易造成傷害。
- ▶ **使用合適的偵測裝置偵察隱藏的電線，或者向當地的相關單位尋求支援。**接觸電線可能引起火災並讓操作者觸電。損壞了瓦斯管會引起爆炸。擊穿水管不僅會造成嚴重的財物損失，也可能導致觸電。
- ▶ **工作時必須用雙手握緊電動工具，並且要確保立足穩固。**使用雙手比較能夠穩握電動工具。
- ▶ **固定好工件。**使用固定裝置或老虎鉗固定工件，會比用手持握工件更牢固。
- ▶ **勿加工含石棉的物料。**石棉可能致癌。

- ▶ **如果操作機器時會產生有害健康、易燃或可能引爆的廢塵，務必採取適當的防護措施。**例如針對某些可能導致癌症的塵埃，務必戴上防塵面具，如果能夠在機器上安裝吸塵器，也要加裝此機件。
- ▶ **工作場所必須保持清潔。**不同的工作塵經過混合後容易產生化學反應，十分危險。輕金屬塵容易著火或引起爆炸。
- ▶ **等待電動工具完全靜止後才能夠放下機器。**機器上的工具可能在工作中被夾住，而令您無法控制電動工具。
- ▶ **勿使用電線已經損壞的電動工具。**如果電源電線在工作中受損，千萬不可觸摸損壞的電線，並馬上拔出插頭。損壞的電線會提高使用者觸電的危險。

功能解說



閱讀所有的警告提示和指示。如未確實遵循警告提示和指示，可能導致電擊、火災並且 / 或其他的嚴重傷害。

翻開標示了機器詳解圖的折疊頁。閱讀操作指南時必須翻開折疊頁參考。

按照規定使用機器

GBH 2-26 E/RE

本電動工具可以在混凝土、磚牆、和石材上進行震動鑽。另外也可以使用本電動工具在木材、金屬、陶材和塑料上進行無震動功能的正常鑽。配備電子調節裝置和正 / 逆轉開關的機器也可以擰入 / 擰出螺絲或攻絲。

GBH 2-26 DE/DRE/DFR

本電動工具可以在混凝土、磚牆、和石材上進行震動鑽，而且也具備了簡單的鑿削功能。另外也可以使用本電動工具在木材、金屬、陶材和塑料上進行無震動功能的正常鑽。配備電子調節裝置和正 / 逆轉開關的機器也可以擰入 / 擰出螺絲或攻絲。

技術性數據

電錘 GBH ... Professional	2-26 E	2-26 RE	2-26 DE	2-26 DRE	2-26 DFR
物品代碼	0 611 251 6..	0 611 251 7..	0 611 253 6..	0 611 253 7..	0 611 254 7..
轉速控制裝置	●	●	●	●	●
制動功能	—	—	●	●	●
正 / 逆轉功能	—	●	—	●	●
活動式夾頭	—	—	—	—	●
標稱輸入功率	瓦 800	800	800	800	800
額定轉速下的沖擊次數	次 / 分 0–4000	0–4000	0–4000	0–4000	0–4000
單一沖擊強度	焦耳 0–3,0	0–3,0	0–3,0	0–3,0	0–3,0
標稱轉速	次 / 分 0–900	0–900	0–900	0–900	0–900
工具夾頭	SDS-plus	SDS-plus	SDS-plus	SDS-plus	SDS-plus
主軸頸直徑	毫米 50	50	50	50	50
最大鑽孔直徑：					
– 混凝土	毫米 26	26	26	26	26
– 土牆（使用空心鑽頭）	毫米 68	68	68	68	68
– 鋼板	毫米 13	13	13	13	13
– 木材	毫米 30	30	30	30	30
重量符合 EPTA-Procedure 01/2003	公斤 2,7	2,7	2,7	2,7	2,9
絕緣等級	□ / II	□ / II	□ / II	□ / II	□ / II

本說明書提供的參數是以 230/240 V 為依據，於低電壓地區，此數據有可能不同。

請認清電動工具銘牌上的物品代碼。電動工具在銷售市場上沒有統一的商品名稱。

插圖上的機件

機件的編號和電動工具詳解圖上的編號一致。

- 1 快速夾頭 (GBH 2-26 DFR)
- 2 SDS-plus- 夾頭 (GBH 2-26 DFR)
- 3 SDS-plus 工具接頭
- 4 防塵蓋
- 5 鎖定套筒
- 6 夾頭固定環 (GBH 2-26 DFR)
- 7 正逆轉開關 (GBH 2-26 RE/DRE/DFR)
- 8 起停開關的鎖緊鍵
- 9 起停開關
- 10 針對沖擊 / 轉動停止開關的解鎖按鍵
- 11 沖擊 / 轉動停止開關
- 12 調整深度尺的按鍵
- 13 深度尺

- 14 輔助手柄
- 15 齒環夾頭上的固定螺絲*
- 16 齒環夾頭*
- 17 夾頭的 SDS-plus 接頭柄*
- 18 夾頭的接頭 (GBH 2-26 DFR)
- 19 快速夾頭的頭前套筒 (GBH 2-26 DFR)
- 20 快速夾頭的固定環 (GBH 2-26 DFR)
- 21 吸塵裝備 (Saugfix) 的吸孔*
- 22 吸塵裝備 (Saugfix) 的擰緊螺絲*
- 23 吸塵裝備 (Saugfix) 的深度擋塊*
- 24 吸塵裝備 (Saugfix) 的伸縮尺*
- 25 吸塵裝備 (Saugfix) 的蝶翼螺絲*
- 26 吸塵裝備 (Saugfix) 的導管*
- 27 有 SDS-plus 接頭柄的通用連桿*

*插圖中或說明書中提到的附件，並不包含在正常的供貨範圍中。

安裝

- ▶ **維修電動工具或換裝零、配件之前，務必從插座上拔出插頭。**

輔助手柄

- ▶ **操作電動工具時務必使用輔助手柄 14。**

轉動輔助手柄（參考插圖 A）

您可以根據需要改變輔助手柄 14 的位置，以提高工作安全和增加工作的舒適性。

朝著逆時針方向轉動輔助手柄 14。把輔助手柄 14 擺動到需要的位置。接著再朝順時針方向轉緊輔助手柄 14。注意，輔助手柄的固定套圈必須位在機殼上的固定套圈專屬凹槽中。

調整鑽深（參考插圖 B）

使用深度尺 13 可以設定需要的鑽深 X。

按下調整深度尺的按鍵 12，再把深度尺裝入輔助手柄 14 中。

深度尺 13 上的肋紋必須朝下。

把 SDS-plus 工具插入 SDS-plus 接頭 3 中，並把工具推到底。如果未安裝好工具，會影響設定深度的準確性。適當調整深度尺，從鑽咀尖端到深度尺尖端的距離必須和需要的鑽深 X 一致。

選擇夾頭和工具

進行錘鑽和鑿削時，必須使用能夠安裝在 SDS-plus 夾頭上的 SDS-plus 工具。

在木材、金屬、陶材和塑料上進行無震動功能的正常鑽，以及擰轉螺絲和攻絲時必須使用無 SDS-plus 系統的工具（例如有圓柱柄的鑽頭）。使用此類鑽頭時必須在機器上安裝快速夾頭或齒環夾頭。

指示：不可以使用無 SDS-plus 系統的工具進行錘鑽和鑿削！沒有 SDS-plus 系統的工具和夾頭會在進行錘鑽和鑿削時受損。

GBH 2-26 DFR: 可使用快速夾頭 1（包含在供貨範圍中）替代 SDS-plus 夾頭 2，更換過程快速簡便。

更換齒環夾頭 (GBH 2-26 E/RE/DE/DRE)

必須在機器上安裝合適的夾頭（齒環夾頭，快速夾頭或附件）後，才能使用無 SDS-plus 的工具（例如有圓柱柄的鑽頭）。

組合齒環夾頭（參考插圖 C）

把有 SDS-plus 接頭柄的通用連桿 17 轉入齒環夾頭 16 中。以螺絲 15 固定齒環夾頭 16。注意，固定螺絲有左螺紋。

安裝齒環夾頭（參考插圖 C）

清潔接頭柄的末端並在接頭柄末端塗抹少許油脂。

把齒環夾頭的接頭柄擰入機器的工具接頭中，至接頭柄自動鎖定為止。

抽拉齒環夾頭，以確定夾頭是否已經鎖定了。

拆卸齒環夾頭

向後抽拉鎖定套筒 5，接著便可以拔出齒環夾頭 16。

拆卸 / 安裝夾頭 (GBH 2-26 DFR)

拆卸夾頭（參考插圖 D）

向後抽拉夾頭固定環 6 並握住固定環，接著便可以朝前拔出 SDS-plus 夾頭 2 或快速夾頭 1。

保護被拆下的夾頭免受污垢沾染。

安裝夾頭（參考插圖 E）

先清潔夾頭然後再安裝，必須在接頭柄的末端塗抹少許油脂。

握住 SDS-plus 夾頭 2 或快速夾頭 1，把夾頭擰入接頭 18 中直至能夠清楚地聽到卡牢聲響為止。

此時夾頭已經自動鎖定。但是仍要抽拉夾頭檢查其是否已經正確套緊。

更換工具

防塵蓋 4 可以防止工作時鑿削廢塵侵入夾頭中。安裝工具時必須小心，勿損壞防塵蓋 4。

- ▶ **如果防塵蓋壞損了必須馬上更換。最好委托本公司的顧客服務處換裝。**

安裝 SDS-plus 工具（參考插圖 F）

有了 SDS-plus 夾頭，不必使用工具也可以快速便利地安裝鑽頭。

GBH 2-26 DFR: 安裝 SDS-plus 夾頭 2。

清潔工具柄並在柄上塗少許潤滑脂。

把工具轉入工具夾頭中，至工具自動鎖牢為止。

抽拉工具以確定它是否正確鎖緊了。

SDS-plus 系統的工具是活動的，因此在無負載狀態下此類工具會偏心旋轉。開始鑽孔時工具便會自動定心，所以上述現象並不會影響鑽孔的準確度。

拆卸 SDS-plus 工具（參考插圖 G）

向後推移鎖定套筒 5 並取出工具。

安裝無 SDS-plus 的工具 (GBH 2-26 E/RE/DE/DRE)

指示: 不可以使用無 SDS-plus 系統的工具進行錘鑽和鑿削! 沒有 SDS-plus 系統的工具和夾頭會在進行錘鑽和鑿削時受損。

裝上齒環夾頭 **16** (參考 "更換齒環夾頭" 第 24 頁)。

轉動齒環夾頭 **16** 至能夠裝入工具為止, 安裝好工具。

把夾頭扳手插入齒環夾頭 **16** 上的扳手孔中, 均勻地擰緊扳手來固定好工具。

把沖擊 / 轉動停止開關 **11** 擰轉到 "正常鑽" 的位置。

拆卸無 SDS-plus 的工具 (GBH 2-26 E/RE/DE/DRE)

使用夾頭扳手, 朝著逆時針方向轉動齒環夾頭 **16** 上的套筒, 至能夠拿出工具為止。

安裝無 SDS-plus 的工具 (GBH 2-26 DFR)

(參考插圖 H)

指示: 不可以使用無 SDS-plus 系統的工具進行錘鑽和鑿削! 沒有 SDS-plus 系統的工具和夾頭會在進行錘鑽和鑿削時受損。

裝上快速夾頭 **1**。

握緊快速夾頭的固定環 **20**, 擰轉前套筒 **19** 來打開工具夾頭, 必須把夾頭張開到能夠裝入鑽頭為止。握緊固定環 **20** 並朝著箭頭的方向用力地轉動前套筒 **19**, 至能夠清楚地聽到棘輪的磨擦聲為止。

以抽拉的方式, 檢查工具是否已經裝牢了。

指示: 當工具夾頭被完全打開之后如果想再度關閉夾頭, 可能發生只聽到棘輪的磨擦聲卻無法關閉夾頭的情況。此時必須朝著箭頭的相反方向轉動前套筒 **19**, 接著便能夠再度關閉夾頭。

把沖擊 / 轉動停止開關 **11** 擰轉到 "正常鑽" 的位置。

拆卸無 SDS-plus 的工具 (GBH 2-26 DFR)

(參考插圖 I)

握緊快速夾頭的固定環 **20** 朝著箭頭的指示方向轉動前套筒 **19** 至能夠拿出工具為止。

使用吸塵裝備 (Saugfix) 吸塵 (附件)

安裝吸塵裝備 (Saugfix) (參考插圖 J)

吸塵裝備 Saugfix (附件) 是用來吸取鑽孔時產生的廢塵。當鑽頭吃入工件中時吸塵裝備會向後回縮, 這樣可以確保吸塵裝備能夠緊貼著工件表面。

按住輔助手柄上的按鍵 **12**, 拔出深度尺 **13**。再度按下按鍵 **12**, 把吸塵裝備從機器前端插入輔助把手 **14** 中。

在吸塵裝備的吸孔 **21** 上安裝吸塵軟管 (管直徑 19 毫米, 附件)。

根據工件的物料選擇合適的吸塵裝置。

吸集可能危害健康, 可能導致癌癥或乾燥的廢塵時, 務必使用特殊的吸塵裝置。

在吸塵裝備上設定鑽孔深度 (參考插圖 K)

安裝了吸塵裝備後也能夠設定鑽孔深度 **X**。

把 SDS-plus 工具插入 SDS-plus 接頭 **3** 中, 並把工具推到底。如果未安裝好工具, 會影響設定深度的準確性。

鬆開吸塵裝備上的蝶翼螺絲 **25**。

把尚未開動的電動工具緊緊地頂在工件上。SDS-plus 工具也必須緊貼著工件。

推移吸塵裝備的導管 **26**, 讓裝備的頂端能夠靠在鑽孔表面上。不可以過度推出導管 **26**, 這樣可能遮蓋了伸縮尺 **24** 上的刻度。盡可能充分利用伸縮尺 **24** 上的刻度。

收緊蝶翼螺絲 **25**。放鬆吸塵裝備上深度擋塊的擰緊螺絲 **22**。

調整伸縮尺 **24** 上的深度檔塊 **23** 的位置以設定鑽深。插圖中的線段長度 **X** 便是實際需要的鑽孔深度

擰緊螺絲 **22** 把擋塊固定在這個位置。

操作

操作機器

▶ **注意電源的電壓!** 電源的電壓必須和電動工具銘牌上標示的電壓一致。

設定操作模式

使用沖擊 / 轉動停止開關 **11** 設定電動工具的操作功能。

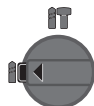
指示: 務必先關閉電動工具, 然後才可以改變操作功能! 否則會損壞電動工具。

變換操作功能時必須先按下解鎖按鍵 **10**, 接著再把沖擊 / 轉動停止開關 **11** 擰轉到需要的功能上, 轉換功能時必須能夠聽見開關 銜合的聲音。

GBH 2-26 E/RE



在混凝土或石材上進行**震動鑽**時的設定方式



在木材、金屬、陶材和塑料上進行**正常鑽**, 以及擰轉螺絲和攻絲時的開關位置

Vario-Lock, 改變鑿頭的開關位置

在這個位置沖擊 / 轉動停止開關 **11** 不會齒合。


進行**鑿削**時的開關位置


GBH 2-26 DE/DRE/DFR



改變轉向 (GBH 2-26 RE/DRE/DFR)

使用正逆轉開關 **7** 可以改變機器的轉向。如果按住了起停開關 **9**，則無法改變轉向。

☞ **正轉**：把機器兩側的正逆轉開關 **7** 推到底，讓開關停留在左符號上 。

☞ **逆轉**：把機器兩側的正逆轉開關 **7** 推到底，讓開關停留在此符號上 。

進行震動鑽、正常鑽和鑿削時，都必須把轉向設定為正轉。

開動 / 關閉

按下起停開關 **9**，可以 **開動** 電動工具。

鎖定 起停開關，按住起停開關並同時按下鎖緊鍵 **8**。

關閉 電動工具，放開起停開關 **9**。如果起停開關 **9** 被鎖定了，先按下起停開關緊接著再放開開關。

調整轉速 / 沖擊次數

隨著在起停開關 **9** 上施壓大小，可以無級式地提高或降低轉速 / 沖擊次數。

輕按起停開關 **9**，機器以低轉速 / 沖擊次數運作。增強施加在起停開關上的壓力，可以提高機器的轉速 / 沖擊次數。

過載離合器

▶ 如果工具卡住了，傳往主軸的動力會中斷。此時會產生非常大的震動力。因此操作機器時務必要用雙手握緊機器，並且要確立足穩固。

▶ 如果電動工具卡住了，先關閉電動工具，再取出工具。開動工具被卡住的電動工具，會產生很高的反應力矩。

有關操作方式的指點

改變鑿頭位置 (Vario-Lock) (GBH 2-26 DE/DRE/DFR)

鑿頭有 36 個不同的鎖定位置。如此可確保最佳的工作姿勢。

把鑿頭裝入工具夾頭中。

把沖擊 / 轉動停止開關 **11** 擰轉到 "Vario-Lock" 的設定位置上 (參考 "設定操作模式"，第 25 頁)。

把工具夾頭旋轉到需要的鑿擊位置。

把沖擊 / 轉動停止開關 **11** 擰轉到 "鑿削" 功能的位置上。此時工具會自動被鎖定。

進行鑿削時必須把轉向設定為正轉。

安裝螺絲批嘴 (參考插圖 L)

▶ 先關閉電動工具，然后再把工具放置在螺母 / 螺絲上。安裝在接頭上的工具如果仍繼續轉動，容易從螺絲頭上滑開。

使用螺絲批嘴時必須在機器上安裝有 SDS-plus 接頭柄的通用連桿 **27**。

清潔接頭柄的末端並在接頭柄末端塗抹少許油脂。

把通用連桿擰入工具接頭中，並讓連桿自動鎖定。

抽拉連桿，檢查連桿是否已經正確鎖牢。

把螺絲批嘴插入通用連桿中。必須使用與螺絲頭大小相符的螺絲批嘴。

拆卸通用連桿時必須先向後抽拉鎖定套筒 **5**，接著便可以从工具接頭上取出通用連桿 **27**。

維修和服務

維修和清潔

- ▶ **維修電動工具或換裝零、配件之前，務必從插座上拔出插頭。**
- ▶ **電動工具和通風間隙都必須保持清潔，這樣才能夠提高工作品質和安全性。**
- ▶ **如果防塵蓋壞損了必須馬上更換。最好委托本公司的顧客服務處換裝。**

每次操作完畢後，都得清潔工具接頭 **3**。

本公司生產的電動工具都經過嚴密的品質檢驗，如果機器仍然發生故障，請將機器交給博世電動工具公司授權的顧客服務處修理。

詢問和訂購備件時，務必提供機器銘牌上標示的 10 位數物品代碼。

服務與顧客諮詢

有關機器分解圖和備用零件的資料請參閱：
www.bosch-pt.com

有關保證，維修或更換零件事宜，請向合資格的分銷商查詢。

台灣

德商美時貿易股份有限公司

台灣分公司

台北市 10454 林森北路 380 號金石大樓 9 樓

電話：..... +88 62 / 25 51 32 64 - 9

傳真：..... +88 62 / 25 51 32 60

E-Mail: boschinfo@melchers.com.tw

處理廢棄物

必須以符合環保的方式，回收再利用損壞的機器、附件和廢棄的包裝材料。

保留修改權。

전동공구용 일반 안전수칙

경고 모든 안전수칙과 지시 사항을 상세히 읽고 지켜야 합니다. 다음의 안전수칙과 지시 사항을 준수하지 않으면 화재 위험이 있으며 감전 혹은 중상을 입을 수 있습니다.

앞으로의 참고를 위해 이 안전수칙과 사용 설명서를 잘 보관하십시오.

다음에서 사용되는 "전동공구"라는 개념은 전원에 연결하여 사용하는 전동 기기 (전선이 있는) 나 배터리를 사용하는 전동 기기 (전선이 없는) 를 의미합니다.

1) 작업장 안전

- a) 작업장을 항상 깨끗이 하고 조명을 밝게 하십시오. 작업장 환경이 어수선하거나 어두우면 사고를 초래할 수 있습니다.
- b) 가연성 유체, 가스 또는 분진이 있어 폭발 위험이 있는 환경에서 전동공구를 사용하지 마십시오. 전동공구는 분진이나 증기에 점화하는 불꽃을 일으킬 수 있습니다.
- c) 전동공구를 사용할 때 구경꾼이나 어린이 혹은 다른 사람이 작업장에 접근하지 못하게 하십시오. 다른 사람이 주의를 산만하게 하면 기기에 대한 통제를 잃기 쉽습니다.

2) 전기에 관한 안전

- a) 전동공구의 전원 플러그가 전원 콘센트에 잘 맞아야 합니다. 플러그를 조금이라도 변경시켜서는 안됩니다. 접지된 전동공구를 사용할 때 어댑터 플러그를 사용하지 마십시오. 변형되지 않은 플러그와 잘 맞는 콘센트를 사용하면 감전의 위험을 감소할 수 있습니다.
- b) 파이프, 라디에이터, 레인지, 냉장고와 같은 접지 표면에 몸이 닿지 않도록 하십시오. 몸에 닿을 경우 감전될 위험이 높습니다.
- c) 전동공구를 비에 맞지 않게 하고 습기 있는 곳에 두지 마십시오. 전동공구에 물이 들어가면 감전될 위험이 높습니다.
- d) 전원 코드를 잡고 전동공구를 운반하거나 걸어 놓아서는 안되며, 콘센트에서 전원 플러그를 뽑을 때 전원 코드를 잡아 당겨서는 절대로 안됩니다. 전원 코드가 열과 오일에 접촉하는 것을 피하고, 날카로운 모서리나 기기의 작동 부위에 닿지 않도록 주의하십시오. 손상되거나 영긴 전원 코드는 감전을 유발할 수 있습니다.
- e) 실외에서 전동공구로 작업할 때는 실외용으로 적합한 연장 전원 코드만을 사용하십시오. 실외용 연장 전원 코드를 사용하면 감전의 위험을 줄일 수 있습니다.
- f) 전동공구를 습기 찬 곳에서 사용해야 할 경우에는 누전 차단기를 사용하십시오. 누전 차단기를 사용하면 감전 위험을 줄일 수 있습니다.

3) 사용자 안전

- a) 신중하게 작업하십시오. 작업을 할 때 주의를 하며, 전동공구를 사용할 때 경솔하게 행동하지 마십시오. 피로한 상태이거나 약물 복용 및 음주한 후에는 전동공구를 사용하지 마십시오. 전동공구를 사용할 때 잠시라도 주의를 산만해지면 중상을 입을 수 있습니다.
- b) 작업자 안전을 위한 장치를 사용하십시오. 항상 보안경을 착용하십시오. 전동공구의 종류와 사용에 따라 먼지 보호 마스크, 미끄러지지 않는 안전한 신발, 안전모 또는 귀마개 등의 안전한 복장을 하면 상해의 위험을 줄일 수 있습니다.
- c) 실수로 기기가 작동되지 않도록 주의하십시오. 전동공구를 전원에 연결하거나 배터리를 끼우기 전에, 혹은 기기를 들거나 운반하기 전에, 전원 스위치가 꺼져 있는지 다시 확인하십시오. 전동공구를 운반할 때 전원 스위치에 손가락을 대거나 전원 스위치가 켜진 상태에서 전원을 연결하면 사고 위험이 높습니다.
- d) 전동공구를 사용하기 전에 조절하는 볼이나 나사키동울 때 놓으십시오. 회전하는 부위에 있는 볼이나 나사키로 인해 상처를 입을 수 있습니다.
- e) 자신을 과신하지 마십시오. 불안정한 자세를 피하고 항상 평형을 이룬 상태로 작업하십시오. 안정된 자세와 평형한 상태로 작업해야만이 의외의 상황에서도 전동공구를 안전하게 사용할 수 있습니다.
- f) 알맞은 작업복을 입으십시오. 헐렁한 복장을 하거나 장식품을 착용하지 마십시오. 머리카락 또는 장갑이 가동하는 기기 부위에 가까이 닿지 않도록 주의하십시오. 헐렁한 복장, 장식품 혹은 긴 머리는 가동 부위에 말려 사고를 초래할 수 있습니다.
- g) 용진 제거장치나 수거장치의 조립이 가능한 경우, 이 장치가 연결되어 있는지, 제대로 작동이 되는지 확인하십시오. 이러한 분진 제거 장치를 사용하면 분진으로 인한 사고 위험을 줄일 수 있습니다.

4) 전동공구의 올바른 사용과 취급

- a) 기기를 과부하 상태에서 사용하지 마십시오. 작업을 하는 때 이에 적당한 전동공구를 사용하십시오. 알맞은 전동공구를 사용하면 지정된 성능 한도 내에서 더 효율적으로 안전하게 작업할 수 있습니다.
- b) 전원 스위치가 고장 난 전동공구를 사용하지 마십시오. 전원 스위치가 작동되지 않는 전동공구는 위험하므로, 반드시 수리를 해야 합니다.
- c) 기기에 세뿔을 하거나 액세서리 부품을 교환하거나 혹은 기기를 보관할 때, 항상 전원 콘센트에서 플러그를 미리 빼어 놓으십시오. 이러한 조치는 실수로 전동공구가 작동하게 되는 것을 예방합니다.
- d) 사용하지 않는 전동공구는 어린이 손이 닿지 않는 곳에 보관하고, 전동공구 사용에 익숙지 않거나 이 사용 설명서를 읽지 않은 사람은 기기를 사용해서는 안됩니다. 경험이 없는 사람이 전동공구를 사용하면 위험합니다.

- e) 전동공구를 조심스럽게 관리하십시오. 가동 부위가 하자 없이 정상적인 기능을 하는지, 걸리는 부위가 있는지, 혹은 전동공구의 기능에 중요한 부품이 손상되지 않았는지 확인하십시오. 손상된 기기의 부품은 전동공구를 다시 사용하기 전에 반드시 수리를 맡기십시오. 제대로 관리하지 않은 전동공구의 경우 많은 사고를 유발합니다.
- f) 절단 공구를 날카롭고 깨끗하게 관리하십시오. 날카로운 절단면이 있고 잘 관리된 절단공구는 걸리는 경우가 드물고 조절하기도 쉽습니다.
- g) 전동공구, 액세서리, 장착하는 공구 등을 사용할 때, 이 지시 사항과 특별히 기종 별로 나와있는 사용 방법을 준수하십시오. 이에 작업 조건과 실시하려는 작업 내용을 고려하십시오. 원래 사용 분야가 아닌 다른 작업에 전동공구를 사용할 경우 위험한 상황을 초래할 수 있습니다.

5) 서비스

- a) 전동공구 수리는 반드시 전문 인력에게 맡기고, 수리 정비 시 보쉬 승점 부품만을 사용하십시오. 그렇게 함으로써 기기의 안전성을 오래 유지할 수 있습니다.

기기 특유의 안전수칙

- ▶ **귀마개를 착용하십시오.** 소음의 영향으로 인해 청각을 상실할 수 있습니다.
- ▶ **전동공구와 함께 공급된 보조 손잡이를 사용하십시오.** 전동공구에 대한 통제를 잃게 되면 상해를 입을 수 있습니다.
- ▶ **보이지 않는 배관 설비를 확인하려면 적당한 탐지기를 사용하거나 탐당 에너지 공회회사에 문의하십시오.** 전선에 접하게 되면 화재나 전기 충격을 야기할 수 있습니다. 가스관을 손상시키면 폭발 위험이 있습니다. 수도관을 파손하게 되면 재산 피해를 유발하거나 전기 충격을 야기할 수 있습니다.
- ▶ **전동공구를 두 손으로 꼭 잡고 안전한 자세로 작업하십시오.** 전동공구는 두 손으로 사용하면 더 안전합니다.
- ▶ **작업물을 잘 고정하십시오.** 고정장치나 기계 바이스에 끼워서 작업하면 손으로 잡는 것보다 더 안전합니다.
- ▶ **석면을 함유한 소재에는 작업하지 마십시오.** 석면은 발암성으로 간주됩니다.

- ▶ **작업 시 발생하는 분진이 건강에 유해하거나 가연성 혹은 폭발성이 있을 경우 적당한 안전 조치를 취하십시오.** 실례: 어떤 분진은 발암성으로 간주됩니다. 분진 마스크를 착용하고 연결이 가능하다면 분진 / 톱밥 분출 장치를 사용하십시오.
- ▶ **작업장용 합상깨끗이 유지하십시오.** 작업 소재의 혼합물은 특히 위험합니다. 경고속 분진은 화재나 폭발을 야기할 수 있습니다.
- ▶ **전동공구를 내려놓기 전에 기기가 완전히 멈추었는지를 확인하십시오.** 삽입공구가 걸리거나 전동공구에 대한 통제가 어려워질 수 있습니다.
- ▶ **절대로 전원 코드가 손상된 전동공구를 사용하지 마십시오.** 작업하다가 전원 코드가 손상된 경우 손상된 코드를 만지지 말고 바로 소켓을 빼십시오. 손상된 전원 코드는 감전을 일으킬 위험이 높습니다.

기능 설명



모든 안전수칙과 지시 사항을 상세히 읽고 지켜야 합니다. 다음의 안전수칙과 지시 사항을 준수하지 않으면 화재 위험이 있으며 감전 혹은 중상을 입을 수 있습니다.

사용 설명서를 읽는 동안 기기의 그림이 나와 있는 접힌 면을 펴 놓고 참고하십시오.

규정에 따른 사용

GBH 2-26 E/RE

본 전동공구는 콘크리트, 벽돌, 석재 등에 해머 드릴작업을 하는데 사용해야 합니다. 또한 목재, 금속, 세라믹 그리고 플라스틱에 타격이 필요없는 단순 드릴작업에도 적합합니다. 전자식 속도 조절 및 역회전 기능이 있는 전동공구는 또한 스크류작업과 나사산 절삭작업에도 사용할 수 있습니다.

GBH 2-26 DE/DRE/DFR

본 전동공구는 콘크리트, 벽돌, 석재 등에 해머 드릴작업과 간단한 치즐작업을 하는데 사용해야 합니다. 또한 목재, 금속, 세라믹 그리고 플라스틱에 타격이 필요없는 단순 드릴작업에도 적합합니다. 전자식 속도 조절 및 역회전 기능이 있는 전동공구는 또한 스크류작업과 나사산 절삭작업에도 사용할 수 있습니다.

제품 사양

해머 드릴 GBH ... Professional		2-26 E	2-26 RE	2-26 DE	2-26 DRE	2-26 DFR
제품 번호		0 611 251 6..	0 611 251 7..	0 611 253 6..	0 611 253 7..	0 611 254 7..
속도 제어		●	●	●	●	●
회전 정지		-	-	●	●	●
역회전 기능		-	●	-	●	●
키레스 척		-	-	-	-	●
소비 전력	W	800	800	800	800	800
정격 속도 시 타격률	min ⁻¹	0-4000	0-4000	0-4000	0-4000	0-4000
스트로크당 타격력	J	0-3.0	0-3.0	0-3.0	0-3.0	0-3.0
정격 속도	rpm	0-900	0-900	0-900	0-900	0-900
틀 홀더		SDS-plus	SDS-plus	SDS-plus	SDS-plus	SDS-plus
스핀들 베 직경	mm	50	50	50	50	50
드릴 직경, 최대:						
- 콘크리트	mm	26	26	26	26	26
- 벽돌 (드릴 코어 사용)	mm	68	68	68	68	68
- 철재	mm	13	13	13	13	13
- 목재	mm	30	30	30	30	30
EPTA 규정 01/2003 에 따른 중량	kg	2.7	2.7	2.7	2.7	2.9
안전 등급		□ / II	□ / II	□ / II	□ / II	□ / II

자료는 정격 전압 [U] 230/240 V 를 기준으로 한 것입니다. 전압이 낮거나 각국의 특수한 모델에 따라 달라질 수 있습니다.

전동공구의 명판에 표시된 제품 번호를 확인하십시오. 각 전동공구의 명칭이 시중에서 상이하게 사용될 수 있습니다.

제품의 주요 명칭

제품의 주요 명칭에 표기되어 있는 번호는 기기 그림이 나와 있는 면을 참고하십시오.

- 1 순간 교환 키레스 척 (GBH 2-26 DFR)
- 2 SDS-plus 키레스 척 (GBH 2-26 DFR)
- 3 SDS-plus 틀 홀더
- 4 먼지 막이 캡
- 5 잠금 슬라이브
- 6 키레스 척 잠금 링 (GBH 2-26 DFR)
- 7 회전방향 선택 스위치 (GBH 2-26 RE/DRE/DFR)
- 8 전원 스위치 잠금 버튼
- 9 전원 스위치
- 10 모드 선택 스위치 해제 버튼
- 11 모드 선택 스위치
- 12 깊이 조절자 조절용 버튼
- 13 깊이 조절자

- 14 보조 손잡이
- 15 키 타입 척 안전 나사*
- 16 키 타입 척*
- 17 드릴 척용 SDS-plus 어댑터 축 *
- 18 드릴 척 홀더 (GBH 2-26 DFR)
- 19 순간 교환 키레스 척 앞쪽 슬라이브 (GBH 2-26 DFR)
- 20 순간 교환 키레스 척 홀딩 링 (GBH 2-26 DFR)
- 21 먼지 추출 장치의 흡입 부위*
- 22 먼지 추출 장치의 고정 나사*
- 23 먼지 추출 장치의 깊이 조절자*
- 24 먼지 추출 장치의 텔레스코프 튜브*
- 25 먼지 추출 장치의 날개 나사*
- 26 먼지 추출 장치의 가이드 튜브*
- 27 SDS-plus 어댑터 축이 있는 유니버설 홀더*

*도면이나 설명서에 나와 있는 액세서리는 표준 공급부품에 속하지 않습니다.

조립

- ▶ 전동공구에 작업하기 전에 반드시 본센트에서 전원 플러그를 빼십시오.

보조 손잡이

- ▶ 반드시 보조 손잡이 14를 장착하여 전동공구를 사용하십시오.

보조 손잡이 조절하기 (그림 A 참조)

보조 손잡이 14는 안전하고 피로가 적은 자세로 작업할 수 있도록 모든 위치로 움직여 조절할 수 있습니다.

보조 손잡이 14의 아래 쪽을 시계 반대 방향으로 돌리고 보조 손잡이 14를 원하는 위치로 돌립니다. 그리고 나서 보조 손잡이 14의 아래 쪽을 시계 방향으로 다시 돌려 조입니다.

이때 보조 손잡이의 고정 밴드가 하우징에 있는 홈에 제대로 끼여 있는지 확인해야 합니다.

천공 깊이를 조절하기 (그림 B 참조)

원하는 천공 깊이 X는 깊이 조절자 13으로 조절할 수 있습니다.

깊이 조절자 조절용 버튼 12를 누르고 깊이 조절자를 보조 손잡이 14안으로 밀어 넣습니다.

깊이 조절자 13의 우물투불한 표면이 아래로 향하도록 해야 합니다.

SDS-plus 비트를 툴 홀더 SDS-plus 3의 끝까지 밀어 넣습니다. SDS-plus 비트가 움직이게 되면 천공 깊이를 정확하게 세팅할 수 없게 됩니다.

드릴 비트의 끝과 깊이 조절자의 끝 부위의 간격이 원하는 천공 깊이 X가 될 때까지 깊이 조절자를 잡아 당깁니다.

드릴 칩과 비트 선택하기

해머 드릴작업이나 치즐작업을 하려면 기기의 SDS-plus 드릴 칩에 삽입되는 SDS-plus 비트를 사용해야 합니다.

목재, 금속, 세라믹 그리고 플라스틱에 타격없이 드릴작업을 하거나 스크류작업 혹은 나사산 절삭작업을 하려면 SDS-plus가 아닌 비트를 사용합니다 (예를 들면 실린더 샤프트가 있는 드릴 비트). 이러한 비트를 사용할 경우 순간 교환 키레스 칩이나 키 타입 칩이 필요합니다.

참고: 해머 드릴작업이나 치즐작업을 할 때 SDS-plus가 아닌 비트를 사용하지 마십시오! SDS-plus가 아닌 비트와 그 드릴 칩이 해머 드릴작업과 치즐작업으로 인해 손상됩니다.

GBH 2-26 DFR: SDS-plus 키레스 칩 2는 함께 공급되는 순간 교환 키레스 칩 1로 쉽게 교환할 수 있습니다.

키 타입 칩 교환하기

(GBH 2-26 E/RE/DE/DRE)

SDS-plus가 아닌 비트 (예를 들면 실린더 샤프트가 있는 드릴 비트)로 작업하려면, 적당한 드릴 칩을 조립해서 사용해야 합니다 (키 타입 칩이나 순간 교환 키레스 칩, 별매 액세서리).

키 타입 칩 조립하기 (그림 C 참조)

SDS-plus 어댑터 축 17을 키 타입 칩 16안으로 돌려 끼웁니다. 키 타입 칩 16에 안전 나사 15를 끼워 안전하게 합니다. **이때 안전 나사가 원나사라는 것에 주의하십시오.**

키 타입 칩 장착하기 (그림 C 참조)

어댑터 축의 끼워지는 부분을 깨끗이 닦고 약간 그리스를 바릅니다.

어댑터 축이 있는 키 타입 칩이 자동으로 잠길 때까지 툴 홀더 안으로 돌려면서 끼웁니다.

키 타입 칩을 당겨보아 제대로 잠겼는지 확인해 보십시오.

키 타입 칩 탈착하기

잠금 슬리브 5를 뒤로 당긴 상태에서 키 타입 칩 16을 뽑습니다.

키레스 칩 탈착하기 / 장착하기

(GBH 2-26 DFR)

키레스 칩 탈착하기 (그림 D 참조)

키레스 칩 잠금 링 6을 뒤로 당기고, 이 위치를 유지한 상태에서 SDS-plus 키레스 칩 2나 순간 교환 키레스 칩 1을 앞으로 잡아 뽑니다.

키레스 칩을 탈착한 후 더러워지지 않도록 하십시오.

키레스 칩 장착하기 (그림 E 참조)

키레스 칩을 끼우기 전에 깨끗이 닦고 끼워지는 부분에 약간 그리스를 바릅니다.

SDS-plus 키레스 칩 2나 순간 교환 키레스 칩 1을 손 전체로 잡고, 키레스 칩을 확실히 잠기는 소리가 날 때까지 드릴 칩 홀더 18에 돌려면서 밀어 끼웁니다.

키레스 칩은 자동으로 잠깁니다. 키레스 칩을 당겨보아 제대로 잠겼는지 확인해 보십시오.

비트의 교환

먼저 막이 캡 4는 드릴작업 시 발생하는 먼지가 스며드는 것을 거의 방지합니다. 비트를 끼울 때 먼지 막이 캡 4가 손상되지 않도록 주의하십시오.

▶ 손상된 먼지 막이 캡은 즉시 교환해야 합니다. 서비스 센터에 의뢰하여 교환하도록 하는 것이 좋습니다.

SDS-plus 삼입 비트 장착하기 (그림 F 참조)

SDS-plus 드릴 칩을 사용하면 별도의 공구를 사용하지 않고도 간단하고 쉽게 비트를 교환할 수 있습니다.

GBH 2-26 DFR: SDS-plus 키레스 척 2를 끼웁니다.

끼우려는 비트의 끝 부분을 깨끗이 닦고 그리스를 바릅니다.

비트가 저절로 잠길 때까지 툴 홀더에 돌리면서 끼웁니다.

비트를 잡아당겨 보아 제대로 끼워졌는지 확인해 보십시오.

SDS-plus 비트는 시스템상 충분히 움직이게 되어 있습니다. 그래서 공전 상태에서 편심 현상이 생기지만 드릴작업 시에 다시 저절로 중심을 잡습니다. 이는 작업의 정확성에 어떠한 영향도 미치지 않습니다.

SDS-plus 삼입 비트 탈착하기 (그림 G 참조)

잠금 슬리브 5를 뒤로 당긴 상태에서 비트를 뺍니다.

SDS-plus 가 아닌 삼입 비트 장착하기 (GBH 2-26 E/RE/DE/DRE)

참고: 해머 드릴작업이나 치즐작업을 할 때 SDS-plus 가 아닌 비트를 사용하지 마십시오! SDS-plus 가 아닌 비트와 그 드릴 칩이 해머 드릴작업과 치즐작업으로 인해 손상됩니다.

키 타입 칩 16을 끼웁니다 (“키 타입 칩 교환하기” 참조, 30면).

키 타입 칩 16을 비트가 끼워질 수 있을 정도까지 돌려 열어준 다음에 비트를 끼웁니다.

드릴 칩 키키를 키 타입 칩 16의 각 구멍에 끼우고 비트를 고루 조입니다.

모드 선택 스위치 11을 “드릴작업” 위치로 돌립니다.

SDS-plus 가 아닌 삼입 비트 탈착하기 (GBH 2-26 E/RE/DE/DRE)

드릴 칩 키키를 사용하여 키 타입 칩 16의 슬리브를 비트가 빠질 때까지 시계 반대 방향으로 돌립니다.

SDS-plus 가 아닌 삼입 비트 장착하기 (GBH 2-26 DFR) (그림 H 참조)

참고: 해머 드릴작업이나 치즐작업을 할 때 SDS-plus 가 아닌 비트를 사용하지 마십시오! SDS-plus 가 아닌 비트와 그 드릴 칩이 해머 드릴작업과 치즐작업으로 인해 손상됩니다.

순간 교환 키레스 척 1을 끼웁니다.

순간 교환 키레스 척의 홀딩 링 20을 꼭 잡습니다. 앞쪽 슬리브 19를 돌려 비트가 끼워질 정도까지 툴 홀더를 엽니다. 홀딩 링 20을 꼭 잡은 상태로, 슬리브 19 앞부위를 잘라내고 걸리는 소리가 날 때까지 화살표 방향으로 돌립니다.

비트를 당겨보아 제대로 끼워졌는지 확인해 보십시오.

참고: 툴 홀더를 끝까지 열었다가 다시 잠글 경우, 기능상 걸리는 소리가 나지만 툴 홀더가 제대로 잠기지 않을 수 있습니다. 이러한 경우 슬리브 앞 부위 19를 화살표 반대 방향으로 한번 돌렸다가 다시 잠그면 툴 홀더가 잠길 것입니다.

모드 선택 스위치 11을 “드릴작업” 위치로 돌립니다.

SDS-plus 가 아닌 삼입 비트 탈착하기 (GBH 2-26 DFR) (그림 I 참조)

순간 교환 키레스 척의 홀딩 링 20을 꼭 잡습니다. 앞쪽 슬리브 19를 비트가 빠질 때까지 화살표 방향으로 돌립니다.

먼지 추출 장치를 사용한 분진 처리 (별매 액세서리)

먼지 추출 장치 조립하기 (그림 J 참조)

분진을 흡입 처리하려면 먼지 추출 장치 (별매 액세서리)가 필요합니다. 드릴작업을 할 때 먼지 추출 장치가 뒤로 밀려서, 먼지 추출 장치의 헤드가 드릴하는 표면에 항상 밀접하게 유지됩니다.

깊이 조절자 조절용 버튼 12를 누른 상태에서 깊이 조절자 13을 뺍니다. 버튼 12를 다시 누르고 먼지 추출 장치를 앞에서부터 보조 손잡이 14 안으로 끼웁니다.

흡입 호스 (직경 19 mm, 별매 액세서리)를 먼지 추출 장치의 흡입 부위 21에 연결하십시오.

진공 소제기는 작업하는 소재에 적당한 것이어야 합니다.

특히 건강에 유해한 발암성 혹은 건조한 분진을 처리해야 할 경우에는 특수한 소제기를 사용해야 합니다.

먼지 추출 장치의 천공 깊이 조절하기 (그림 K 참조)

먼지 추출 장치가 조립된 상태에서도 원하는 천공 깊이 X를 조절할 수 있습니다.

SDS-plus 비트를 툴 홀더 SDS-plus 3의 끝까지 밀어 넣습니다. SDS-plus 비트가 움직이게 되면 천공 깊이를 정확하게 세팅할 수 없게 됩니다.

먼지 추출 장치에 있는 날개 나사 25를 풀어 줍니다.

전동공구의 스위치를 켜지 않은 상태로 드릴작업을 하려는 부위에 바짝 댍니다. 이때 SDS-plus 비트가 표면에 닿아야 합니다.

먼지 추출 장치의 가이드 튜브 26을 먼지 추출 장치의 헤드가 드릴하려는 표면에 닿도록 홀더에 밀어 넣습니다. 가이드 튜브 26이 텔레스코프 튜브 24 너머로 지나치게 밀지 마십시오. 가능한 한 텔레스코프 튜브 24의 눈금자 대부분이 보이도록 해야 합니다.

날개 나사 25를 다시 조입니다. 먼지 추출 장치의 깊이 조절자에 있는 고정 나사 22를 풀니다.

깊이 조절자 23을 텔레스코프 튜브 24 위로 밀어 그림에 나와 있는 것처럼 간격 X가 원하는 천공 깊이가 되도록 하십시오.

고정 나사 22를 이 위치에서 조입니다.

작동

기계 시동

- ▶ **공공 배전 전압에 주의!** 공급되는 전원의 전압은 전동공구의 명판에 표기된 전압과 동일해야 합니다.

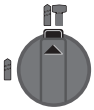
작동 모드 설정하기

모드 선택 스위치 **11** 로 전동공구의 작동 모드를 선택할 수 있습니다.

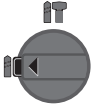
주의: 전동공구 스위치가 꺼진 상태에서에만 작동 모드를 변경하십시오! 그렇지 않으면 전동공구가 손상될 수 있습니다.

작동 모드를 변경하려면 해제 버튼 **10** 을 누른 상태에서 모드 선택 스위치 **11** 을 원하는 위치로 분명히 걸리는 소리가 날 때까지 돌립니다.

GBH 2-26 E/RE



콘크리트나 석재에 **해머 드릴** 작업을 할 때 위치



목재, 금속, 세라믹 그리고 플라스틱에 타격없이 **드릴** 작업을 하거나 스크류작업이나 나사산 절삭작업을 할 때 위치

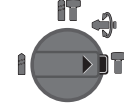
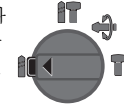
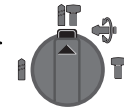
치즐 위치를 변경하기 위한

Vario-Lock 위치

이 위치에서는 모드 선택 스위치 **11** 이 걸리지 않음.

치즐작업을 할 때 위치

GBH 2-26 DE/DRE/DFR



회전방향 설정하기

(GBH 2-26 RE/DRE/DFR)

회전방향 선택 스위치 **7** 로 기기의 회전 방향을 선택할 수 있습니다. 그러나 전원 스위치 **9** 이 눌러진 상태에서는 작동이 불가능합니다.

☞ **우회전:** 회전방향 선택 스위치 **7** 의 양쪽이 위치가 되도록 끝까지 돌립니다 ▶.

☞ **좌회전:** 회전방향 선택 스위치 **7** 의 양쪽이 위치가 되도록 끝까지 돌립니다 ▶.

해머 드릴작업, 드릴작업 혹은 치즐작업을 하려면 회전방향이 반드시 우회전에 있어야 합니다.

전원 스위치 작동

전동공구의 **스위치를 켜려면** 전원 스위치 **9** 를 누릅니다.

전원 스위치를 **잠금 상태로 유지하려면** 이를 누른 상태에서 잠금 버튼 **8** 을 누릅니다.

전동공구의 **스위치를 끄려면** 전원 스위치 **9** 를 놓으십시오. 고정된 전원 스위치 **9** 의 경우 먼저 눌렀다가 다시 놓습니다.

속도 / 타격력을 조절하기

전원 스위치 **9** 에 가하는 힘의 강약에 따라 작동 중에도 전동공구의 속도 / 타격력을 무단으로 조절할 수 있습니다.

전원 스위치 **9** 를 살짝 누르면 낮은 속도 / 타격력으로 작동합니다. 좀 더 세게 누르면 속도 / 타격력이 증가합니다.

과부하 클러치

▶ **드릴 비트가 끼여거나 박힌 경우 드릴 스피ndl의 작동이 중단됩니다.** 이때 생기는 충격에 대비해서 전동공구를 두 손으로 꼭 잡고 안전한 자세로 작업해야 합니다.

▶ **전동공구의 작동이 중단되면 스위치를 끄고 드릴 비트를 뺍니다.** 드릴 비트가 박힌 상태에서 스위치를 켜면 강한 반동력이 발생할 수 있습니다.

사용방법

치즐 위치 바꾸기 (Vario-Lock) (GBH 2-26 DE/DRE/DFR)

치즐을 36 가지의 다양한 위치로 고정할 수 있어 각 작업 시 적당한 위치를 선택할 수 있습니다.

치즐을 툴 홀더에 끼웁니다.

모드 선택 스위치 **11** 을 "Vario-Lock" 위치로 돌립니다 ("작동 모드 설정하기" 참조, 32 면).

툴 홀더를 원하는 치즐 위치로 돌립니다.

모드 선택 스위치 **11** 을 "치즐작업". 툴 홀더는 이와 함께 잠기게 됩니다.

치즐작업을 하려면 회전방향을 오른쪽으로 맞추십시오.

스크류 드라이버 비트 장착하기 (그림 L 참조)

▶ **전동공구의 스위치가 꺼진 상태에서만 나사못에 매십시오.** 회전하는 드릴 비트가 미끄러질 수 있습니다.

스크류 드라이버 비트를 사용하려면 SDS-plus 어댑터 축이 있는 유니버설 홀더 **27** (별매 액세서리) 이 필요합니다.

어댑터 축의 끼워지는 부분을 깨끗이 닦고 약간 그리스를 바릅니다.

유니버설 홀더가 저절로 잠길 때까지 툴 홀더 안으로 돌리면서 끼웁니다.

유니버설 홀더를 당겨보아 제대로 잠겼는지 확인하십시오.

스크류 드라이버 비트 한 개를 유니버설 홀더에 끼웁니다. 스크류 헤드에 맞는 스크류 드라이버 비트만을 사용하십시오.

유니버설 홀더를 빼려면 잠금 슬리브 **5** 를 뒤로 당긴 상태에서 유니버설 홀더 **27** 을 툴 홀더에서 빼면 됩니다.

보수 정비 및 서비스

보수 정비 및 유지

- ▶ 전동공구에 작업하기 전에 반드시 콘센트에서 전원 플러그를 빼십시오.
- ▶ 안전하고 올바른 작동을 위하여 전동공구와 전동공구의 환기구를 항상 깨끗이 하십시오.
- ▶ 손상된 먼지 막이 캡은 즉시 교환해야 합니다. 서비스 센터에 의뢰하여 교환하도록 하는 것이 좋습니다.

툴 홀더 3 을 사용한 후 매번 깨끗이 닦으십시오.

세심한 제작과 검사에도 불구하고 전동공구가 불량한 경우가 있다면 보쉬 고객 지원본부나 가까운 보쉬 지정 전동공구 서비스 센터에 수리를 의뢰하십시오.

문의 사항이 있거나 스페어 부품을 주문할 때 반드시 전동공구의 타입 표시판에 적힌 10 자리의 제품 번호를 알려 주십시오.

서비스

부품에 관련된 분해 도면과 정보는 :
www.bosch-pt.com 에서 찾아볼 수 있습니다.

한국로버트보쉬기전주식회사

Robert Bosch Korea Mechanics and Electronics Ltd.

전동공구 사업부

서울시 중구 장충동 1 가 31-7, 봉우빌딩 2 층

서울중앙우체국 사서함 3698

전화 : +82 (0)2 / 22 70-91 40

팩스 : +82 (0)2 / 22 70-90 08

고객지원본부

서울시 성동구 상왕십리 14-19, 오정빌딩 201 호

전화 : +82 (0)2 / 22 70-90 80 / 90 81 / 90 82

팩스 : +82 (0)2 / 22 92-29 85

E-Mail: Bosch-pt.hotline@kr.bosch.com

Internet: www.bosch.co.kr

처리

기기와 액세서리 및 포장 등은 환경 친화적인 방법으로 재생활 수 있도록 분류하십시오.

위 사항은 사전 예고 없이 변경될 수도 있습니다.

คำเตือนทั่วไปเพื่อความปลอดภัย ในการใช้เครื่องมือไฟฟ้า

คำเตือน ต้องอ่านคำเตือนเพื่อความปลอดภัยและคำสั่งทั้งหมด การไม่ปฏิบัติตามคำเตือนและคำสั่งอาจเป็นสาเหตุให้ถูกไฟฟ้าดูด เกิดไฟไหม้ และ/หรือได้รับบาดเจ็บอย่างร้ายแรง

เก็บรักษาคำเตือนและคำสั่งทั้งหมดสำหรับเปิดอ่านในภายหลัง

คำว่า "เครื่องมือไฟฟ้า" ในคำเตือนหมายถึง เครื่องมือไฟฟ้าของท่านที่ทำงานด้วยพลังงานไฟฟ้าที่ต่อจากเต้าเสียบ (มีสายไฟฟ้า) และเครื่องมือไฟฟ้าที่ทำงานด้วยพลังงานไฟฟ้าจากแบตเตอรี่ (ไร้สาย)

1) ความปลอดภัยในสถานที่ทำงาน

- ก) รักษาสถานที่ทำงานให้สะอาดและมีไฟส่องสว่างดี สถานที่ที่มีมืดหรือรกจริงนำมาซึ่งอุบัติเหตุ
- ข) อย่าใช้เครื่องมือไฟฟ้าในสภาพแวดล้อมที่เสียงต่อการติกระเบิดได้ เช่น ในที่มีขงเหลว แก๊ส หรือฝุ่นที่ติดไฟได้ เมื่อใช้เครื่องมือไฟฟ้าจะเกิดประกายไฟซึ่งอาจจุดฝุ่นหรือไอให้ลุกเป็นไฟได้
- ค) ขณะใช้เครื่องมือไฟฟ้าทำงาน ต้องกันเด็กและผู้ยืนดูให้ออกห่าง การหันแนวความสนใจอาจทำให้ท่านขาดการควบคุมเครื่องได้

2) ความปลอดภัยเกี่ยวกับไฟฟ้า

- ก) ปลั๊กของเครื่องมือไฟฟ้าต้องมีขนาดพอดีกับเต้าเสียบ อย่าตัดแปลงหรือแก้ไขตัวปลั๊กอย่างเด็ดขาด อย่าต่อปลั๊กต่อไอๆ เข้ากับเครื่องมือไฟฟ้าที่มีสายดิน ปลั๊กที่ไม่ตัดแปลงและเต้าเสียบที่เข้ากันช่วยลดความเสี่ยงจากการถูกไฟฟ้าดูด
- ข) หลีกเลี่ยงไม่ให้อ่างกายสัมผัสกับพื้นผิวของสิ่งของที่ต่อสายดินไว้ เช่น ท่อ เครื่องมือหรือความร้อน เตา และตู้เย็น จะเสี่ยงอันตรายจากการถูกไฟฟ้าดูดมากขึ้นหากกระแสไฟฟ้าวิ่งผ่านร่างกายของท่านลงดิน
- ค) อย่าวางเครื่องมือไฟฟ้าตากฝนหรือทิ้งไว้ในที่ชื้นแฉะ หากน้ำเข้าไปในเครื่องมือไฟฟ้า จะเพิ่มความเสี่ยงจากการถูกไฟฟ้าดูด
- ง) อย่าใช้สายไฟฟ้าอย่างผิดๆ อย่าถือเครื่องมือไฟฟ้าที่สาย อย่าใช้สายแขวนเครื่อง หรืออย่าดึงสายไฟฟ้าเพื่อถอดปลั๊กออกจากเต้าเสียบ กันสายไฟฟ้าออกห่างจากความร้อน น้ำมัน ขอบแหลมคม หรือส่วนของเครื่องที่กำลังเคลื่อนไหว สายไฟฟ้าที่ชำรุดหรือพันกันอยู่เพิ่มความเสี่ยงจากการถูกไฟฟ้าดูด
- จ) เมื่อใช้เครื่องมือไฟฟ้าทำงานกลางแจ้ง ให้ใช้สายไฟต่อที่ได้รับการรับรองให้ใช้ต่อในที่กลางแจ้งเท่านั้น การใช้สายไฟต่อที่เหมาะสมสำหรับงานกลางแจ้งช่วยลดอันตรายจากการถูกไฟฟ้าดูด

ฉ) หากไม่สามารถหลีกเลี่ยงการใช้เครื่องมือไฟฟ้าทำงานในสถานที่เปียกชื้นได้ ให้ใช้วิธีที่ตัดวงจรเมื่อเกิดการรั่วไหลของไฟฟ้าจากสายดิน การใช้ตัวที่ตัดวงจรเมื่อเกิดการรั่วไหลของไฟฟ้าจากสายดินช่วยลดความเสี่ยงต่อการถูกไฟฟ้าดูด

3) ความปลอดภัยของบุคคล

- ก) ท่านต้องอยู่ในสภาพเตรียมพร้อม ระมัดระวังในสิ่งที่กำลังทำอยู่ และมีสติขณะใช้เครื่องมือไฟฟ้าทำงาน อย่าใช้เครื่องมือไฟฟ้าขณะที่ท่านกำลังเหนื่อย หรืออยู่ภายใต้การครอบงำของฤทธิ์ของยาเสพติด แอลกอฮอล์ และยา เมื่อใช้เครื่องมือไฟฟ้าทำงาน ในขณะที่ท่านขาดความเอาใจใส่อาจทำให้บุคคลบาดเจ็บอย่างรุนแรงได้
 - ข) ใช้อุปกรณ์ปกป้องร่างกาย สวมแว่นตาป้องกันเสมอ อุปกรณ์ปกป้อง เช่น หน้ากากกันฝุ่น รองเท้ากันลื่น หมวกแข็ง หรืออุปกรณ์กันเสียงดัง ที่เลือกใช้ตามความเหมาะสมกับสภาพการทำงาน สามารถลดอันตรายต่อบุคคลได้
 - ค) ป้องกันการติดเครื่องโดยไม่ตั้งใจ ต้องดูให้แน่ใจว่าสวิตช์อยู่ในตำแหน่งปิดก่อนเสียบปลั๊กไฟเข้าไปเต้าเสียบ และ/หรือใส่แท่งแบตเตอรี่ ยกขึ้นหรือถือเครื่องมือ การถือเครื่องโดยใช้นิ้วที่สวิตช์ หรือเสียบพลังไฟฟ้าขณะสวิตช์เปิดอยู่ อาจนำไปสู่อุบัติเหตุที่ร้ายแรงได้
 - ง) เอาเครื่องมือปรับแต่งหรือประแจปากตายออกจากเครื่องมือไฟฟ้าก่อนเปิดสวิตช์ เครื่องมือหรือประแจปากตายที่วางอยู่กับส่วนของเครื่องที่กำลังหมุนจะทำให้บุคคลบาดเจ็บได้
 - จ) หลีกเลี่ยงการตั้งท่าที่ผิดปกติ ตั้งท่ายืนที่มีน้ำหนักและวางน้ำหนักให้สมดุลตลอดเวลา ในลักษณะนี้ท่านสามารถควบคุมเครื่องมือไฟฟ้าในสถานการณ์ที่ไม่คาดคิดได้ดีกว่า
 - ฉ) ใส่เสื้อผ้าที่เหมาะสม อย่าใส่เสื้อผ้าหลวมหรือสวมเครื่องประดับ เอาหมวก เสื้อผ้า และถุงมือออกห่างส่วนของเครื่องที่กำลังหมุน เสื้อผ้าหลวม เครื่องประดับ และผมยาวอาจเข้าไปติดในส่วนของเครื่องที่กำลังหมุนได้
 - ช) หากต้องต่อเครื่องมือไฟฟ้าเข้ากับเครื่องดูดฝุ่นหรือเครื่องเก็บผง ดูให้แน่ใจว่าการเชื่อมต่อและการใช้งานเป็นไปอย่างถูกต้อง การใช้อุปกรณ์ดูดฝุ่นช่วยลดอันตรายที่เกิดจากฝุ่นได้
- ## 4) การใช้และการดูแลรักษาเครื่องมือไฟฟ้า
- ก) อย่าใช้เครื่องมือไฟฟ้าอย่างหักโหม ใช้เครื่องมือไฟฟ้าที่ถูกต้องตรงตามลักษณะงาน เครื่องมือไฟฟ้าที่ถูกต้องจะทำงานได้ดีกว่าและปลอดภัยกว่าในระดับสมรรถภาพที่ออกแบบไว้
 - ข) อย่าใช้เครื่องมือไฟฟ้าที่สวิตช์เปิดปิดเสีย เครื่องมือไฟฟ้าที่ไม่สามารถควบคุมการเปิดปิดด้วยสวิตช์ได้ เป็นเครื่องมือไฟฟ้าที่ไม่ปลอดภัยและต้องส่งซ่อมแซม

- ค) ก่อนปรับแต่งเครื่อง เปลี่ยนอุปกรณ์ประกอบ หรือ เก็บเครื่องเข้าที่ ต้องถอดปลั๊กไฟออกจากเต้าเสียบ และ/หรือถอดแท่งแบตเตอรี่ออกจากเครื่องมือไฟฟ้า มาตรการป้องกันเพื่อความปลอดภัยนี้ช่วยลดความเสี่ยงจากการติดเครื่องโดยไม่ได้ตั้งใจ
- ง) เมื่อเลิกใช้งานเครื่องมือไฟฟ้า ให้เก็บเครื่องไว้ในที่ที่ เด็กหยิบไม่ถึง และไม่อนุญาตให้บุคคลที่ไม่คุ้นเคย กับเครื่องมือหรือบุคคลที่ไม่ได้อ่านคำแนะนำนี้ใช้เครื่องมือไฟฟ้าเป็นข้อนอันตรายหากตกอยู่ในมือของผู้ใช้ที่ไม่ได้รับการฝึกฝน
- จ) เอาใจใส่ดูแลรักษาเครื่อง ตรวจสอบส่วนที่เคลื่อนไหว ได้ของเครื่องว่าวางอยู่ตรงแนวหรือติดขัดหรือไม่ ตรวจสอบการแตกหักของชิ้นส่วนและสภาพอื่นใดที่ อาจมีผลต่อการทำงานของเครื่องมือไฟฟ้า หากชำรุด ต้องส่งเครื่องมือไฟฟ้าซ่อมแซมก่อนใช้งาน อุบัติเหตุ หลายอย่างเกิดขึ้นเนื่องจากดูแลรักษาเครื่องไม่ดีพอ
- ฉ) รักษาเครื่องมือตัดให้คมและสะอาด หากบำรุงรักษา เครื่องมือที่มีขอบตัดแหลมคมอย่างถูกต้อง จะสามารถตัด ได้ลื่นไม่ติดขัดและควบคุมได้ง่ายกว่า
- ช) ใช้เครื่องมือไฟฟ้า อุปกรณ์ประกอบ เครื่องมือ และ อุปกรณ์อื่น ๆ ให้ตรงตามคำแนะนำนี้ และในลักษณะ ตามที่เครื่องมือไฟฟ้าประเภทนั้นๆ กำหนดไว้ โดย ต้องคำนึงถึงเงื่อนไขการทำงานและงานที่จะทำด้วย การใช้เครื่องมือไฟฟ้าทำงานที่ต่างไปจากวัตถุประสงค์การใช้งานของเครื่อง อาจนำไปสู่สถานการณ์ที่เป็นอันตรายได้

5) การบริการ

- ก) ส่งเครื่องมือไฟฟ้าให้ช่างผู้เชี่ยวชาญตรวจสอบและใช้ อะไหล่เปลี่ยนของแท้เท่านั้น ในลักษณะนี้ท่านจะแน่ใจ ได้ว่าเครื่องมือไฟฟ้าอยู่ในสภาพที่ปลอดภัย

คำแนะนำเพื่อความปลอดภัย

เฉพาะเครื่อง

- ▶ สวมประภคปกป้องกันเสียงดัง การรับฟังเสียงดังอาจทำให้ท่าน สูญเสียการได้ยิน
- ▶ ให้ใช้ค้ำจับเพิ่มที่จัดส่งมาพร้อมกับเครื่องเสมอ การขาด การควบคุมอาจทำให้บุคคลได้รับอันตรายบาดเจ็บได้
- ▶ ใช้เครื่องตรวจที่เหมาะสมตรวจหาท่อ สายไฟฟ้า หรือสาย โทรศัพท ที่อาจซ่อนอยู่ในบริเวณที่ทำงาน หรือขอความ ช่วยเหลือจากบริษัทสาธารณูปโภคในท้องถิ่น การสัมผัสกับ สายไฟฟ้าอาจทำให้เกิดไฟไหม้หรือถูกไฟฟ้าดูด การทำให้ท่อแก๊ซ เสียหายอาจทำให้เกิดระเบิด การเจาะเข้าในท่อน้ำทำให้ทรัพย์สิน เสียหาย หรืออาจเป็นเหตุให้ถูกไฟฟ้าดูดได้

- ▶ เมื่อใช้เครื่องทำงาน ต้องใช้มือทั้งสองจับเครื่องให้แน่น และตั้งท้ายที่มั่นคงเสมอ เครื่องมือไฟฟ้าสามารถเคลื่อนมา ได้มั่นคงกว่าเมื่อใช้มือทั้งสองข้างจับ
- ▶ ยึดชิ้นงานให้แน่น การยึดชิ้นงานด้วยเครื่องหนีบหรือแท่นจับ จะมั่นคงกว่าการยึดด้วยมือ
- ▶ อย่าเจาะวัสดุที่มีเยื่อหินแอสเบสผสมอยู่ เยื่อหิน แอสเบสผสมนั้นเป็นสารกระตุ้นให้เกิดโรคมะเร็ง
- ▶ ต้องใช้มาตรการป้องกันหากทำงานที่อาจมีฝุ่นละอองที่ เป็นอันตรายต่อสุขภาพ สามารถถูกใหม่ หรือเกิดระเบิดได้ ตัวอย่าง: ฝุ่นบางประเภทนั้นเป็นสารกระตุ้นให้เกิดโรคมะเร็ง ให้สวมหน้ากากกันฝุ่น และทำงานโดยใช้เครื่องดูดฝุ่น/เศษไม้ ออกหากสามารถต่อเข้ากันได้
- ▶ รักษาสถานที่ทำงานให้สะอาด การผสมผสานของวัสดุ ก่อให้เกิดอันตรายอย่างยิ่ง ฝุ่นที่ได้อาจไล่อะไหล่หนักเบาอาจ ลุกไหม้หรือระเบิดได้
- ▶ ก่อนวางเครื่องลงบนพื้นทุกครั้ง ต้องรอให้เครื่องหยุดนิ่ง อยู่กับที่เสมอ มิฉะนั้นเครื่องมือที่ใส่อยู่อาจติดขัดและนำไปสู่ การสูญเสียการควบคุมเครื่องใช้ไฟฟ้า
- ▶ อย่าใช้เครื่องที่สายไฟฟ้าชำรุด หากสายไฟฟ้าชำรุด ขณะทำงาน อย่าสัมผัสสายไฟฟ้าที่ชำรุด ให้ดึงปลั๊กไฟที่ หลักออกจากเต้าเสียบ สายไฟฟ้าชำรุดเพิ่มความเสี่ยงจาก การถูกไฟฟ้าช็อกหรือดูด

ลักษณะหน้าที่



ต้องอ่านค่าเตือนเพื่อความปลอดภัยและคำสั่ง ทั้งหมด การไม่ปฏิบัติตามค่าเตือนและคำสั่งอาจ เป็นสาเหตุให้ถูกไฟฟ้าดูด เกิดไฟไหม้ และ/หรือได้รับ บาดเจ็บอย่างร้ายแรง

ขณะอ่านคู่มือการใช้งานเครื่อง ให้เปิดหน้าที่แสดงภาพประกอบ ของเครื่องและเปิดค้างไว้

ประโยชน์การใช้งานของเครื่อง

GBH 2-26 E/RE

เครื่องนี้ใช้สำหรับเจาะตอกในคอนกรีต อิฐ และหิน นอกจากนี้ยัง เหมาะสำหรับเจาะโดยไม่กระทบแก๊สไม่ โลหะ เซรามิก และพลาสติก เครื่องที่มีระบบควบคุมอิเล็กทรอนิกส์และการหมุนช่วย/ขวาสามารถ ใช้ขันสกรูและทำเกลียวตัวผู้ได้ด้วย

GBH 2-26 DE/DRE/DFR

เครื่องนี้ใช้สำหรับเจาะตอกในคอนกรีต อิฐ และหิน และยังใช้สำหรับ งานสกัดเบาๆ นอกจากนี้ยังเหมาะสำหรับเจาะโดยไม่กระทบแก๊สไม่ โลหะ เซรามิก และพลาสติก เครื่องที่มีระบบควบคุมอิเล็กทรอนิกส์ และการหมุนช่วย/ขวาสามารถ ใช้ขันสกรูและทำเกลียวตัวผู้ได้ด้วย

ข้อมูลทางเทคนิค

ส่วนโรตารี GBH ...		2-26 E	2-26 RE	2-26 DE	2-26 DRE	2-26 DFR
หมายเลขสินค้า		0 611 251 6..	0 611 251 7..	0 611 253 6..	0 611 253 7..	0 611 254 7..
การควบคุมความเร็วรอบ		●	●	●	●	●
ระบบหยุดการหมุน		—	—	●	●	●
การหมุนซ้าย/ขวา		—	●	—	●	●
หัวจับดอกชนิดเปลี่ยนเร็ว		—	—	—	—	●
กำลังไฟฟ้าเข้ากำหนด	วัตต์	800	800	800	800	800
รอบกระแทกที่ความเร็วรอบกำหนด	/นาที	0–4000	0–4000	0–4000	0–4000	0–4000
แรงงานกระแทกต่อครั้ง	จูล	0–3.0	0–3.0	0–3.0	0–3.0	0–3.0
ความเร็วรอบกำหนด	รอบ/นาที	0–900	0–900	0–900	0–900	0–900
ด้ามจับเครื่องมือ		SDS-plus	SDS-plus	SDS-plus	SDS-plus	SDS-plus
เส้นผ่าศูนย์กลางปลอกหุ้มเพลลา	มม.	50	50	50	50	50
เส้นผ่าศูนย์กลางรูเจาะ สูงสุด						
— คอนกรีต	มม.	26	26	26	26	26
— งานก่ออิฐ (ใช้ดอกถอนแกน)	มม.	68	68	68	68	68
— เหล็กกล้า	มม.	13	13	13	13	13
— ไม้	มม.	30	30	30	30	30
น้ำหนักตามระเบียบการ-						
EPTA-Procedure 01/2003	กก.	2.7	2.7	2.7	2.7	2.9
ระดับความปลอดภัย		□ / II	□ / II	□ / II	□ / II	□ / II

ค่าที่ใช้ได้กับแรงดันไฟฟ้าระบุ [U] 230/240 โวลต์ ค่าเหล่านี้อาจผิดแผกไปสำหรับแรงดันไฟฟ้าที่ต่ำกว่า และโมเดลที่สร้างสำหรับเฉพาะประเทศ เครื่องแต่ละเครื่องอาจมีชื่อทางการค้าแตกต่างกัน ดังนั้นกรุณาสังเกตหมายเลขสินค้าบนแผ่นป้ายรุ่นของเครื่องของท่าน

ส่วนประกอบผลิตภัณฑ์

ลำดับเลขของส่วนประกอบผลิตภัณฑ์อ้างอิงถึงส่วนประกอบของเครื่องที่แสดงในหน้าภาพประกอบ

- 1 หัวจับดอกไร้เฟืองในชนิดเปลี่ยนเร็ว (GBH 2-26 DFR)
- 2 หัวจับดอกชนิดเปลี่ยนเร็ว SDS-plus (GBH 2-26 DFR)
- 3 ด้ามจับเครื่องมือ SDS-plus
- 4 ฝาครอบกันฝุ่น
- 5 ปลอกสำหรับลิ้น
- 6 แหวนล็อกสำหรับหัวจับดอกชนิดเปลี่ยนเร็ว (GBH 2-26 DFR)
- 7 สวิตช์เปลี่ยนทิศทางการหมุน (GBH 2-26 RE/DRE/DFR)
- 8 ปุ่มล็อกสวิตช์เปิด-ปิด
- 9 สวิตช์เปิด-ปิด
- 10 ปุ่มปลดล็อกสวิตช์เลือกวิธีปฏิบัติงาน
- 11 สวิตช์เลือกวิธีปฏิบัติงาน
- 12 ปุ่มปรับก้านวัดความลึก
- 13 ก้านวัดความลึก

- 14 ด้ามจับเพิ่ม
- 15 สกรูยึดสำหรับหัวจับดอกชนิดมีเฟืองใน*
- 16 หัวจับดอกชนิดมีเฟืองใน*
- 17 ก้านปรับ SDS-plus สำหรับหัวจับดอก*
- 18 ข้อรับหัวจับดอก (GBH 2-26 DFR)
- 19 ปลอกหน้าของหัวจับดอกไร้เฟืองในชนิดเปลี่ยนเร็ว (GBH 2-26 DFR)
- 20 แหวนกันของหัวจับดอกไร้เฟืองในชนิดเปลี่ยนเร็ว (GBH 2-26 DFR)
- 21 ปลอกอุดของอุปกรณ์ดูดฝุ่น*
- 22 น็อตหนีบสำหรับอุปกรณ์ดูดฝุ่น*
- 23 ก้านวัดความลึกของอุปกรณ์ดูดฝุ่น*
- 24 ท่อสวมปล้องแบบกลิ้งสองทางไกลของอุปกรณ์ดูดฝุ่น*
- 25 น็อตปีกของอุปกรณ์ดูดฝุ่น*
- 26 ท่อนำของอุปกรณ์ดูดฝุ่น*
- 27 ด้ามจับดอกทั่วไปที่มีก้าน SDS-plus*

*อุปกรณ์ประกอบในภาพประกอบหรือในคำอธิบาย ไม่รวมอยู่ในการจัดส่งมาตรฐาน

การประกอบ

▶ ติดปลั๊กไฟออกจากเต้าเสียบก่อนปรับแต่งเครื่อง

ด้ามจับเพิ่ม

▶ ให้ใช้เครื่องมือไฟฟ้าพร้อมกับด้ามจับเพิ่ม 14 เสมอ

การหมุนด้ามจับเพิ่ม (ดูภาพประกอบ A)

ท่านสามารถจับด้ามจับเพิ่ม 14 นั้นไปยังตำแหน่งใดก็ได้ เพื่อจะได้ทำงานที่มั่นคงและเหนียวแน่น

หมุนส่วนล่างของด้ามจับเพิ่ม 14 ไปในทิศทางทวนเข็มนาฬิกา และหันด้ามจับเพิ่ม 14 ไปยังตำแหน่งที่ต้องการ จากนั้นขึ้นด้ามจับเพิ่ม 14 เข้าให้แน่นเหมือนเดิม โดยหมุนไปในทิศทางเข็มนาฬิกา

ระมัดระวังให้สายรัดของด้ามจับเพิ่มอยู่ในร่องบนตัวเครื่องตามที่ออกแบบไว้

การปรับความลึกกรูเจาะ (ดูภาพประกอบ B)

ความลึกกรูเจาะที่ต้องการ X สามารถตั้งได้ด้วยก้านวัดความลึก 13

กดปุ่มปรับก้านวัดความลึก 12 และสอดก้านวัดความลึกเข้าไปในด้ามจับเพิ่ม 14

ต้องหันด้านที่เป็นสันของก้านวัดความลึก 13 ลงข้างล่าง

ใส่เครื่องมือเจาะ SDS-plus เข้าในด้ามจับเครื่องมือ SDS-plus 3 จนสุด หากใส่ไม่สุดเครื่องมือเจาะ SDS-plus จะเคลื่อนที่ได้ และจะทำให้ปรับความลึกกรูเจาะได้ไม่ถูกต้อง

ดันก้านวัดความลึกออกมาจนระยะห่างระหว่างปลายดอกสว่านและปลายก้านวัดความลึกเท่ากับความลึกกรูเจาะที่ต้องการ X

การเลือกหัวจับดอกและเครื่องมือ

สำหรับการเจาะตอกและการสกัดต้องใช้เครื่องมือ SDS-plus โดยใส่เครื่องมือเข้าไปในหัวจับดอก SDS-plus

สำหรับการเจาะโดยไม่กระทบแก๊งไม้ โลหะ เซรามิก และพลาสติก การขันสกรูและการทำเกลียวตัวผู้ ให้ใช้เครื่องมือที่ไม่มี SDS-plus (ต.ย. เช่น ดอกสว่านที่มีก้านทรงกระบอก) สำหรับเครื่องมือเหล่านี้ต้องใช้หัวจับดอกไร้เฟืองในหรือชนิดมีเฟืองใน

หมายเหตุ: อย่านำใช้เครื่องมือที่ไม่มี SDS-plus เพื่อเจาะตอกหรือสกัด! เครื่องมือที่ไม่มี SDS-plus รวมทั้งหัวจับดอกของเครื่องมืออาจชำรุดจากการเจาะตอกหรือสกัด

GBH 2-26 DFR: หัวจับดอกชนิดเปลี่ยนเร็ว SDS-plus 2 สามารถสลับให้ใช้งานง่ายคล้ายกับหัวจับดอกไร้เฟืองในชนิดเปลี่ยนเร็ว 1 ที่จัดส่งมา

การเปลี่ยนหัวจับดอกชนิดมีเฟืองใน

(GBH 2-26 E/RE/DE/DRE)

เมื่อใช้เครื่องมือที่ไม่มี SDS-plus ทำงาน (ต.ย. เช่น ดอกสว่านที่มีก้านทรงกระบอก) ต้องประกอบหัวจับดอกที่เหมาะสมเข้า (หัวจับดอกชนิดมีเฟืองในหรือไร้เฟืองใน อุปกรณ์ประกอบ)

การประกอบหัวจับดอกชนิดมีเฟืองใน (ดูภาพประกอบ C)

ขั้นก้านปรับ SDS-plus 17 เข้าในหัวจับดอกชนิดมีเฟืองใน 16 ยึดหัวจับดอกชนิดมีเฟืองใน 16 ด้วยสกรูยึด 15 กรุณาสังเกตว่าสกรูยึดมีเกลียวหมุนทางซ้าย

การใส่หัวจับดอกชนิดมีเฟืองใน (ดูภาพประกอบ C)

ทำความสะอาดปลายก้านปรับ และเคลือบจาระบีบางๆ

จับหัวจับดอกชนิดมีเฟืองในพร้อมก้านปรับหมุนใส่ในด้ามจับเครื่องมือจนเข้าล็อกโดยอัตโนมัติ

ดึงหัวจับดอกชนิดมีเฟืองในเพื่อตรวจสอบการล็อก

การถอดหัวจับดอกชนิดมีเฟืองใน

ดัมปลอกสำหรับล็อก 5 ไปด้านหลัง และดึงหัวจับดอกชนิดมีเฟืองใน 16 ออก

การถอด/การใส่หัวจับดอกชนิดเปลี่ยนเร็ว

(GBH 2-26 DFR)

การถอดหัวจับดอกชนิดเปลี่ยนเร็ว (ดูภาพประกอบ D)

ดึงแหวนล็อกสำหรับหัวจับดอกชนิดเปลี่ยนเร็ว 6 ไปด้านหลัง จับแหวนล็อกให้อยู่ในตำแหน่งนี้ และดึงหัวจับดอกชนิดเปลี่ยนเร็ว SDS-plus 2 หรือหัวจับดอกไร้เฟืองในชนิดเปลี่ยนเร็ว 1 ไปด้านหน้า

เมื่อถอดออกแล้ว ต้องป้องกันหัวจับดอกที่เปลี่ยนออกไม่ให้เปื้อนสกปรก

การใส่หัวจับดอกชนิดเปลี่ยนเร็ว (ดูภาพประกอบ E)

ก่อนสวมใส่ ต้องทำความสะอาดหัวจับดอกชนิดเปลี่ยนเร็ว และเคลือบจาระบีบางๆ ที่ปลายก้าน

จับหัวจับดอกชนิดเปลี่ยนเร็ว SDS-plus 2 หรือหัวจับดอกไร้เฟืองในชนิดเปลี่ยนเร็ว 1 เต็มๆ มือ เลื่อนหัวจับดอกชนิดเปลี่ยนเร็วหมุนใส่บนข้อับหัวจับดอก 18 จนได้ยินเสียงลงสลักอย่างชัดเจน

หัวจับดอกชนิดเปลี่ยนเร็วจะล็อกโดยอัตโนมัติ ดึงหัวจับดอกชนิดเปลี่ยนเร็วเพื่อตรวจสอบการล็อก

การเปลี่ยนเครื่องมือ

ฝาครอบกันฝุ่น 4 สามารถป้องกันไม่ให้อันตรายที่เกิดจากการเจาะลอดเข้าไปในหัวจับดอกขณะปฏิบัติงานได้เป็นอย่างดี เมื่อใส่เครื่องมือ ต้องระวังอย่าทำให้ฝาครอบกันฝุ่น 4 ชำรุด

► **ควรเปลี่ยนฝาครอบกันฝุ่นที่ชำรุดโดยทันที เราขอแนะนำว่า ควรส่งให้ศูนย์บริการหลังการขายเปลี่ยนให้**

การใส่เครื่องมือเจาะ SDS-plus (ดูภาพประกอบ F)

หัวจับดอก SDS-plus ทำให้ท่านสามารถเปลี่ยนเครื่องมือเจาะได้สะดวกง่ายดายโดยไม่ต้องใช้เครื่องมืออื่น ๆ ช่วย

GBH 2-26 DFR: ใส่หัวจับดอกชนิดเปลี่ยนเร็ว SDS-plus 2

ทำความสะอาดและทาจารบีบางๆ ที่ปลายก้านเครื่องมือ

จับเครื่องมือหมุนใส่ในหัวจับดอกจนเครื่องมือล็อกตัวเอง

ดึงเครื่องมือเพื่อตรวจสอบการล็อก

ตามเงื่อนไขของระบบทำงาน เครื่องมือเจาะ SDS-plus สามารถเคลื่อนไหวได้อย่างอิสระ ด้วยเหตุนี้ เมื่อปลดรอยให้วิ่งตัวเปล่า เครื่องมือจะวิ่งออกนอกรัศมีอยู่บ้าง ซึ่งจะไม่ส่งผลต่อความเที่ยงตรงของรูเจาะ เพราะเมื่อเจาะรู ดอกสว่านจะตั้งตัวให้อยู่ตรงกลางเอง

การถอดเครื่องมือเจาะ SDS-plus (ดูภาพประกอบ G)

ดันปลอกสำหรับล็อก 5 ไปด้านหลัง และเอาเครื่องมือออก

การใส่เครื่องมือเจาะที่ไม่มี SDS-plus

(GBH 2-26 E/RE/DE/DRE)

หมายเหตุ: อย่าใช้เครื่องมือที่ไม่มี SDS-plus เพื่อเจาะตอกหรือสกัด เครื่องมือที่ไม่มี SDS-plus รวมทั้งหัวจับดอกของเครื่องมืออาจชำรุดจากการเจาะตอกหรือสกัด

ใส่หัวจับดอกชนิดมีเฟืองใน 16 (ดู "การเปลี่ยนหัวจับดอกชนิดมีเฟืองใน" หน้า 37)

เปิดหัวจับดอกชนิดมีเฟืองใน 16 โดยการหมุนจนสามารถใส่เครื่องมือได้ จับเครื่องมือใส่เข้าไป

ใส่ประแจหัวจับดอกเข้าไปในรูที่ลงรอยกันของหัวจับดอกชนิดมีเฟืองใน 16 และหนีบเครื่องมือเข้าเท่าๆ กัน

สับสวิทช์เลือกวิธีการปฏิบัติงาน 11 ไปที่ตำแหน่ง "การเจาะ"

การถอดเครื่องมือเจาะที่ไม่มี SDS-plus

(GBH 2-26 E/RE/DE/DRE)

หมุนปลอกของหัวจับดอกชนิดมีเฟืองใน 16 ด้วยประแจหัวจับดอกไปในทิศทางเข็มนาฬิกาจนสามารถถอดเครื่องมือเจาะออกมาได้

การใส่เครื่องมือเจาะที่ไม่มี SDS-plus (GBH 2-26 DFR)

(ดูภาพประกอบ H)

หมายเหตุ: อย่าใช้เครื่องมือที่ไม่มี SDS-plus เพื่อเจาะตอกหรือสกัด เครื่องมือที่ไม่มี SDS-plus รวมทั้งหัวจับดอกของเครื่องมืออาจชำรุดจากการเจาะตอกหรือสกัด

ใส่หัวจับดอกไร้เฟืองในชนิดเปลี่ยนเร็ว 1

จับแหวนกัน 20 ของหัวจับดอกชนิดเปลี่ยนเร็วให้มันคง เปิดด้ามจับเครื่องมือโดยหมุนปลอกหน้า 19 จนสามารถใส่เครื่องมือเข้าไปได้ จับแหวนกัน 20 ให้แน่นและหมุนปลอกหน้า 19 ไปในทิศหมุนลูกศรจนได้ยินเสียงล็อกอย่างชัดเจน

ดึงเครื่องมือเพื่อตรวจสอบการเข้าในตำแหน่งอย่างแน่นหนา

หมายเหตุ: หากด้ามจับเครื่องมือถูกเปิดออกจนสุด และขณะหมุนด้ามจับเครื่องมือให้ปิดอาจได้ยินเสียงล็อก แต่ด้ามจับเครื่องมือไม่ปิดลง

ในกรณีนี้ ให้หมุนปลอกหน้า 19 ไปในทิศตรงข้ามกับทิศหมุนลูกศรหนึ่งครั้ง จากนั้นด้ามจับเครื่องมือจะสามารถเปิด (แน่นสนิท) อีกครั้ง สับสวิทช์เลือกวิธีการปฏิบัติงาน 11 ไปที่ตำแหน่ง "การเจาะ"

การถอดเครื่องมือเจาะที่ไม่มี SDS-plus (GBH 2-26 DFR) (ดูภาพประกอบ I)

จับแหวนกัน 20 ของหัวจับดอกชนิดเปลี่ยนเร็วให้มันคง เปิดด้ามจับเครื่องมือโดยหมุนปลอกหน้า 19 ไปตามทิศหมุนลูกศร

จนสามารถถอดเครื่องมือออกมาได้

การดูดฝุ่นด้วยอุปกรณ์ดูดฝุ่น (อุปกรณ์ประกอบ)

การประกอบอุปกรณ์ดูดฝุ่น (ดูภาพประกอบ J)

สำหรับการดูดฝุ่นออก ต้องใช้อุปกรณ์ดูดฝุ่น (อุปกรณ์ประกอบ)

ขณะเจาะรู อุปกรณ์ดูดฝุ่นจะรันกับเพื่อให้อันตรายของอุปกรณ์ดูดฝุ่นอยู่ติดกับพื้นผิวรูเจาะเสมอ

กดปุ่มปรับก้านวัดความลึก 12 และถอดก้านวัดความลึก 13 ออก กดปุ่ม 12 อีกครั้งและใส่อุปกรณ์ดูดฝุ่นเข้าไปในด้ามจับเต็ม 14 จากด้านหน้า

ต่อท่อดูดฝุ่น (เส้นผ่าศูนย์กลาง 19 มม. อุปกรณ์ประกอบ) เข้ากับปลอกดูด 21 ของอุปกรณ์ดูดฝุ่น

เครื่องดูดฝุ่นต้องมีลักษณะการใช้งานที่เหมาะสมกับวัสดุที่จะเสียด

ในกรณีดูดฝุ่นแห้งที่เป็นอันตรายต่อสุขภาพอย่างยิ่งหรืออาจก่อให้เกิดมะเร็งได้ ให้ใช้เครื่องดูดฝุ่นพิเศษ

การปรับความลึกรูเจาะบนอุปกรณ์ดูดฝุ่น (ดูภาพประกอบ K)

ความลึกรูเจาะที่ต้องการ X สามารถปรับได้แม้มีอุปกรณ์ดูดฝุ่นประกอบติดอยู่

ใส่เครื่องมือเจาะ SDS-plus เข้าในด้ามจับเครื่องมือ SDS-plus 3 จนสุด หากใส่ไม่สุดเครื่องมือเจาะ SDS-plus จะเคลื่อนที่ได้ และจะทำให้ปรับความลึกรูเจาะได้ไม่ถูกต้อง

คลายน็อตปิก 25 บนอุปกรณ์ดูดฝุ่น

จับเครื่องมือไฟฟ้าเข้าหาจุดที่จะเจาะอย่างมั่นคงโดยไม่ต้องเปิดสวิทช์ เครื่องมือเจาะ SDS-plus ต้องหันเข้าหาพื้นผิวที่จะเจาะ

เลื่อนท่อน้ำ 26 ของอุปกรณ์ดูดฝุ่นในที่ยึดของมันในลักษณะนี้ให้หัวของอุปกรณ์ดูดฝุ่นหันเข้าหาพื้นผิวที่จะเจาะ อย่าเลื่อนท่อน้ำ 26

ครอบเหนือท่อสวมปล้องแบบกลิ้งสองทางไกล 24 ของอุปกรณ์ดูดฝุ่นจนครบถ้วนจำเป็น ต้องเลื่อนครอบให้เห็นมาตราส่วน 24 บน

ท่อสวมปล้องแบบกลิ้งสองทางไกลให้ได้มากที่สุด

ชั้นน็อตปึก 25 กลบให้แน่นตามเดิม คลายน็อตหนีบ 22 บนก้านวัด ความลึกของอุปกรณ์ดูดฝุ่น

เลื่อนก้านวัดความลึก 23 บนท่อสวมปลั๊งบแบบกลิ้งสอง ทางไกล 24 ในลักษณะให้ช่องว่าง X ดังปรากฏในภาพประกอบมีค่าเท่ากับควมลึกภูเขาที่ต้องการ

ชั้นน็อตหนีบ 22 ในตำแหน่งนี้เข้าให้แน่น

การปฏิบัติงาน

เริ่มต้นปฏิบัติงาน

- ▶ ให้สังเกตแรงดันไฟฟ้า! แรงดันไฟฟ้าจากแหล่งจ่ายไฟฟ้าต้องมีค่าตรงกับค่าแรงดันไฟฟ้าที่ระบุไว้บนแผ่นป้ายติดเครื่อง

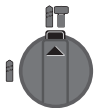
การตั้งวิธีการปฏิบัติงาน

ท่านสามารถเลือกวิธีการปฏิบัติงานของเครื่องมือไฟฟ้าด้วยสวิตช์เลือกวิธีการปฏิบัติงาน 11

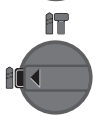
หมายเหตุ: เปลี่ยนวิธีการปฏิบัติงานเฉพาะเมื่อเครื่องปิดสวิตช์อยู่เท่านั้น! มิฉะนั้นเครื่องจะชำรุดเสียหายได้

เมื่อต้องการเปลี่ยนวิธีการปฏิบัติงาน ให้กดปุ่มปลดล๊อค 10 และสับสวิตช์เลือกวิธีการปฏิบัติงาน 11 ไปยังตำแหน่งที่ต้องการจนได้ยินเสียงลงสลัก

GBH 2-26 E/RE



ตำแหน่งสำหรับ การเจาะตอก ในคอนกรีตหรือหิน



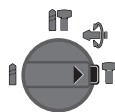
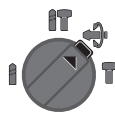
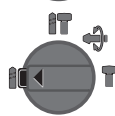
ตำแหน่งสำหรับ การเจาะ โดยไม่กระทบในไม้ โลหะ เซรามิก และ พลาสติก รวมทั้งการขันสกรูและการทำเกลียวตัวผู้

ตำแหน่ง Vario-Lock สำหรับปรับตำแหน่งสกัด

สวิตช์เลือกวิธีการปฏิบัติงาน 11 จะไม่ลงสลักในตำแหน่งนี้

ตำแหน่งสำหรับ การสกัด

GBH 2-26 DE/DRE/DFR



การกลับทิศทางการหมุน

(GBH 2-26 RE/DRE/DFR)

สวิตช์เปลี่ยนทิศทางการหมุน 7 ใช้สำหรับกลับทิศทางการหมุนของเครื่อง อย่างไรก็ตามทิศทางการหมุนเปิด-ปิด 9 อยู่ จะกลับทิศทางการหมุนไม่ได้

☞ การหมุนทางขวา: สับสวิตช์เลือกการเจาะ/การเจาะตอก 7 ทั้งสองข้างจนสุดไปที่ตำแหน่ง ◀

☜ การหมุนทางซ้าย: สับสวิตช์เลือกการเจาะ/การเจาะตอก 7 ทั้งสองข้างจนสุดไปที่ตำแหน่ง ▶

ตั้งทิศทางการหมุนสำหรับการเจาะตอก การเจาะ และการสกัดไว้ที่การหมุนทางขวาเสมอ

การเปิด-ปิดเครื่อง

เปิดเครื่องทำงานโดยกดสวิตช์เปิด-ปิด 9

ล๊อคสวิตช์เปิด-ปิดโดยกดสวิตช์เปิด-ปิดค้างไว้และดันปุ่มล๊อคสวิตช์เปิด-ปิด 8 เพิ่ม

ปิดเครื่องโดยปล่อยนิ้วจากสวิตช์เปิด-ปิด 9 หากสวิตช์เปิด-ปิด 9 ถูกล๊อค ให้กดสวิตช์เปิด-ปิดก่อน แล้วจึงปล่อยนิ้ว

การตั้งความเร็วรอบ/อัตรากระแทก

ท่านสามารถปรับอัตราความเร็วรอบ/กระแทกของเครื่องมือไฟฟ้าที่เปิดสวิตช์ทำงานได้อย่างต่อเนื่อง ทั้งนี้ขึ้นอยู่กับแรงที่กดลงบนสวิตช์เปิด-ปิด 9

กดสวิตช์เปิด-ปิด 9 เบาจะได้อัตราความเร็วรอบ/กระแทกต่ำ กดสวิตช์แรงขึ้นอัตราความเร็วรอบ/กระแทกจะเพิ่มขึ้น

คลังข้อดีการทำงานเกินกำลัง

- ▶ หากเครื่องมือที่ใส่อยู่เกิดขัดหรือติดแน่น แรงขับไปยังเพลาส่วนจะสะดุดหยุด เนื่องจากแรงบิดที่เกิดขึ้น ต้องถือเครื่องมือไฟฟ้าให้แน่นด้วยมือทั้งสองข้างและหาที่ยืนที่มั่นคงเสมอ
- ▶ หากเครื่องมือไฟฟ้าติดขัด ให้ปิดเครื่องและคลายเครื่องมือที่ใส่อยู่ให้เป็นอิสระ ในกรณีที่เปิดเครื่องทำงานโดยมีเครื่องมือเจาะติดขัดอยู่ อาจเกิดกำลังบิดสะท้อนอย่างรุนแรงขึ้นได้

ข้อแนะนำในการทำงาน

การเปลี่ยนตำแหน่งสกัด (Vario-Lock)

(GBH 2-26 DE/DRE/DFR)

ดอกสกัดสามารถล็อกได้ 36 ตำแหน่ง ในลักษณะนี้ท่านสามารถตั้งทำงานได้ดีที่สุดสำหรับแต่ละรูปแบบการใช้งาน

ใส่ดอกสกัดเข้าในหัวจับดอก

สับสวิทช์เลือกวิธีการปฏิบัติงาน 11 ไปที่ตำแหน่ง "Vario-Lock" (ดู "การตั้งวิธีการปฏิบัติงาน" หน้า 39)

หมุนหัวจับดอกไปยังตำแหน่งสกัดที่ต้องการ

สับสวิทช์เลือกวิธีการปฏิบัติงาน 11 ไปที่ตำแหน่งการสกัด ตอนนั้นด้ามจับเครื่องมือจะล็อก

สำหรับการสกัด ให้ตั้งทิศทางหมุนไปที่การหมุนทวนขวา

การใส่ดอกไขควง (ดูภาพประกอบ L)

▶ **จับเครื่องมือไฟฟ้าเข้าบนหัวสกรู/นอตเมื่อเครื่องปิดอยู่เท่านั้น** เครื่องมือที่หมุนอยู่อาจลื่นไถล

เมื่อใช้ดอกไขควงทำงาน ต้องใช้ด้ามจับดอกทั่วไป 27 ที่มีก้าน SDS-plus (ดูประเภทประกอบ) ร่วมด้วย

ทำความสะอาดปลายก้านปรับ และเคลือบจาระบีบางๆ

จับด้ามจับดอกทั่วไปหมุนใส่ในด้ามจับเครื่องมือจนเข้าล็อกโดยอัตโนมัติ

ดึงด้ามจับดอกทั่วไปเพื่อตรวจสอบการล็อก

ใส่ดอกไขควงเข้าในด้ามจับดอกทั่วไป ใช้เฉพาะดอกไขควงที่มีขนาดพอดีกับหัวสกรูเท่านั้น

เมื่อต้องการถอดด้ามจับดอกทั่วไปออก ให้ดึงปลอกล็อก 5 ไปด้านหลัง และถอดด้ามจับดอกทั่วไป 27 ออกจากด้ามจับเครื่องมือ

การบำรุงรักษาและการบริการ

การบำรุงรักษาและการทำความสะอาด

- ▶ **ดึงปลั๊กไฟออกจากเต้าเสียบก่อนปรับแต่งเครื่อง**
- ▶ **เพื่อให้ทำงานได้อย่างถูกต้องและปลอดภัย ต้องรักษาเครื่องและช่องระบายอากาศให้สะอาดอยู่เสมอ**
- ▶ **ควรเปลี่ยนฝาครอบกันฝุ่นที่ชำรุดโดยทันที เราขอแนะนำว่า ควรส่งให้ศูนย์บริการหลังการขายเปลี่ยนให้**

ทำความสะอาดด้ามจับเครื่องมือ 3 ทุกครั้งหลังเลิกใช้งาน

เครื่องมือไฟฟ้านี้ผ่านกรรมวิธีการผลิตและตรวจสอบอย่างละเอียดถี่ถ้วนมาแล้ว ถึงกระนั้น หากเครื่องเกิดขัดข้อง ต้องส่งเครื่องให้ศูนย์บริการหลังการขายสำหรับเครื่องมือไฟฟ้า บ็อช ซ่อมแซม

เมื่อต้องการสอบถามและสั่งซื้ออะไหล่ กรุณาแจ้งหมายเลขสินค้า สิบหลักบนแผ่นป้ายรุ่นของเครื่องทุกครั้ง

การบริการและการให้คำแนะนำลูกค้า

ภาพถ่ายและข้อมูลเกี่ยวกับอะไหล่ กรุณาดูใน www.bosch-pt.com

ในกรณีประกัน ซ่อมแซม หรือซื้อชิ้นส่วนมาเปลี่ยน กรุณาติดต่อผู้ขายที่ได้รับแต่งตั้งเท่านั้น

ประเทศไทย

สำนักงาน

บริษัท โรเบิร์ต บ็ช จำกัด

ชั้น 11 ตึกทีบีเออร์บี สแควร์

287 ถนนสีลม

กรุงเทพฯ 10500

โทรศัพท์ : +66 (0)2 / 6 31 18 79 – 18 88 (10 หมายเลข)

โทรสาร : +66 (0)2 / 2 38 47 83

ผู้ไปรษณีย์

บริษัท โรเบิร์ต บ็ช จำกัด

แผนกเครื่องมือไฟฟ้า

ตู้ ปณ. 20 54

กรุงเทพฯ 10501

ประเทศไทย

ศูนย์บริการซ่อมและฝึกอบรม

ศูนย์บริการซ่อมและฝึกอบรมบ็อช

2869 – 2869/1 ซอยบ้านกล้วย

ถนนพระรามที่ 4 (ใกล้ทางรถไฟสายปากน้ำเก่า)

พระโขนง

กรุงเทพฯ 10110

ประเทศไทย

โทรศัพท์ : +66 (0)2 / 6 71 78 00 – 4

โทรสาร : +66 (0)2 / 2 49 42 96

โทรสาร : +66 (0)2 / 249 5299

การกำจัดขยะ

เครื่องมือ อุปกรณ์ประกอบ และหีบห่อ ต้องนำไปแยกประเภทวัสดุ เพื่อนำกลับมาใช้ใหม่โดยไม่ทำลายสภาพแวดล้อม

ขอสงวนสิทธิ์ในการเปลี่ยนแปลงโดยไม่ต้องแจ้งล่วงหน้า

Petunjuk-Petunjuk Umum untuk Perkakas Listrik

⚠ PERHATIKANLAH Bacalah semua petunjuk-petunjuk untuk keselamatan kerja dan petunjuk-petunjuk untuk penggunaan. Kesalahan dalam menjalankan petunjuk-petunjuk untuk keselamatan kerja dan petunjuk-petunjuk untuk penggunaan dapat mengakibatkan kontak listrik, kebakaran dan/atau luka-luka yang berat.

Simpanlah semua petunjuk-petunjuk untuk keselamatan kerja dan petunjuk-petunjuk lainnya untuk penggunaan di masa depan.

Kata „perkakas listrik“ yang disebutkan di dalam petunjuk-petunjuk untuk keselamatan kerja adalah sebutan untuk perkakas listrik pakai listrik jaringan (dengan kabel) dan untuk perkakas listrik pakai aki (tanpa kabel listrik).

1) Keselamatan kerja di tempat kerja

a) **Jagalah supaya tempat kerja selalu bersih dan terang.** Tempat kerja yang tidak rapi atau tidak terang dapat mengakibatkan terjadinya kecelakaan.

b) **Janganlah menggunakan perkakas listrik di tempat di mana dapat terjadi ledakan, di mana ada cairan, gas atau debu yang mudah terbakar.** Perkakas listrik dapat memancarkan bunga api yang lalu mengakibatkan debu atau uap terbakar.

c) **Selama menggunakan perkakas listrik, jauhkan anak-anak dan orang-orang lain dari tempat kerja.** Jika konsentrasi terganggu, bisa jadi Anda tidak bisa mengendalikan perkakas listrik tersebut.

2) Keamanan listrik

a) **Steker dari perkakas listrik harus cocok pada stopkontak. Janganlah sekali-kali merubah steker. Janganlah menggunakan steker perantara bersama dengan perkakas listrik yang mempunyai hubungan arde.** Steker yang tidak dirubah dan stopkontak yang cocok mengurangi bahaya terjadinya kontak listrik.

b) **Jagalah supaya badan Anda tidak bersentuhan dengan permukaan yang mempunyai hubungan arde, misalnya pipa-pipa, radiator pemanas ruangan, kompor listrik dan lemari es.** Ada risiko besar terjadi kontak listrik, jika badan Anda mempunyai hubungan arde.

c) **Jagalah supaya perkakas listrik tidak kena hujan atau menjadi basah.** Air yang masuk ke dalam perkakas listrik menambah risiko terjadinya kontak listrik.

d) **Janganlah menyalah gunakan kabel listrik untuk mengangkat dan menggantungkan perkakas listrik atau untuk menarik steker dari stopkontak. Jagalah supaya kabel listrik tidak kena panas, minyak, pinggirang yang tajam atau bagian-bagian perkakas yang bergerak.** Kabel listrik yang rusak atau tersangkut menambah risiko terjadinya kontak listrik.

e) **Jika Anda menggunakan perkakas listrik di luar gedung, gunakanlah hanya kabel sambungan yang juga cocok untuk pemakaian di luar gedung.** Penggunaan kabel sambungan yang cocok untuk pemakaian di luar gedung mengurangi risiko terjadinya kontak listrik.

f) **Jika penggunaan perkakas listrik di tempat yang basah tidak bisa dihindarkan, gunakanlah sakelar pengaman terhadap arus penyimpangan.** Penggunaan sakelar pengaman terhadap arus penyimpangan mengurangi risiko terjadinya kontak listrik.

3) Keselamatan kerja

a) **Berhati-hatilah selalu, perhatikanlah apa yang Anda kerjakan dan bekerjalah dengan seksama jika menggunakan perkakas listrik. Janganlah menggunakan perkakas listrik, jika Anda capai atau berada di bawah pengaruh narkoba, minuman keras atau obat.** Jika Anda sekejap mata saja tidak berhati-hati sewaktu menggunakan perkakas listrik, dapat terjadi luka-luka berat.

b) **Pakailah pakaian dan sarana pelindung dan pakailah selalu kaca mata pelindung.** Dengan memakai pakaian dan sarana pelindung, misalnya kedok anti debu, sepatu tertutup yang tidak licin, helm pelindung atau pemalut telinga sesuai dengan pekerjaan yang dilakukan dengan perkakas listrik, bahaya terjadinya luka-luka dapat dikurangi.

c) **Jagalah supaya perkakas listrik tidak dihidupkan secara tidak disengaja. Perhatikan bahwa perkakas listrik dalam penyetelan mati, jika steker disambungkan pada pengadaan listrik dan/atau aki, jika perkakas listrik diangkat atau dibawa.** Jika selama mengangkat perkakas listrik jari Anda berada pada tombol untuk menghidupkan dan mematikan atau perkakas listrik yang dalam penyetelan hidup disambungkan pada listrik, dapat terjadi kecelakaan.

d) **Lepaskan semua perkakas-perkakas penyetelan atau kunci-kunci pas sebelum perkakas listrik dihidupkan.** Perkakas atau kunci yang berada di dalam bagian yang berputar dapat mengakibatkan terjadinya luka-luka.

- e) **Aturkan badan sedemikian sehingga Anda bisa bekerja dengan aman. Berdirilah secara mantap dan jagalah selalu keseimbangan.** Dengan demikian Anda bisa mengendalikan perkakas listrik dengan lebih baik, jika terjadi sesuatu dengan tiba-tiba.
- f) **Pakailah pakaian yang cocok. Janganlah memakai pakaian yang longgar atau perhiasan. Jagalah supaya rambut, pakaian dan sarung tangan tidak masuk dalam bagian-bagian perkakas yang bergerak.** Pakaian yang longgar, rambut panjang atau perhiasan dapat tersangkut dalam bagian perkakas yang bergerak.
- g) **Jika ada kemungkinan untuk memasang sarana penghisapan dan penampungan debu, perhatikan bahwa sarana-sarana ini telah dipasangkan dan digunakan dengan betul.** Penggunaan sarana penghisapan bisa mengurangi bahaya yang disebabkan debu.
- 4) **Penggunaan dan penanganan perkakas listrik dengan seksama**
- a) **Janganlah membebankan perkakas listrik terlalu berat. Gunakan selalu perkakas listrik yang cocok untuk pekerjaan yang dilakukan.** Dengan perkakas listrik yang cocok Anda bekerja lebih baik dan lebih aman dalam batas-batas kemampuan yang ditentukan.
- b) **Janganlah menggunakan perkakas listrik yang tombolnya rusak.** Perkakas listrik yang tidak bisa dihidupkan atau dimatikan, berbahaya dan harus direparasikan.
- c) **Tariklah steker dari stopkontak dan/atau keluarkan aki, sebelum Anda melakukan penyetulan pada perkakas listrik, mengganti alat-alat kerja atau sebelum menyimpan perkakas listrik.** Tindakan keselamatan kerja ini mengurangi bahaya perkakas listrik hidup secara tidak disengaja.
- d) **Simpanlah perkakas listrik yang tidak digunakan di luar jangkauan anak-anak. Janganlah mengizinkan orang-orang yang tidak mengenal perkakas listrik ini atau yang belum membaca petunjuk-petunjuk ini, menggunakan perkakas listrik ini.** Perkakas listrik bisa menjadi berbahaya, jika digunakan oleh orang-orang yang tidak mengenalnya.
- e) **Rawatlah perkakas listrik dengan seksama. Periksalah, apakah bagian-bagian perkakas listrik yang bergerak berfungsi dengan baik dan tidak tersangkut, apakah ada bagian-bagian yang patah atau rusak sedemikian, sehingga dapat mempengaruhi jalannya perkakas listrik. Biarkan bagian-bagian perkakas yang rusak direparasikan, sebelum Anda mulai menggunakan perkakas listrik.** Banyak kecelakaan terjadi karena perkakas listrik tidak dirawat dengan seksama.
- f) **Perhatikan supaya alat-alat pemotong selalu tajam dan bersih.** Alat-alat pemotong dengan mata-mata pemotong yang tajam dan dirawat dengan seksama tidak mudah tersangkut dan lebih mudah dikendalikan.
- g) **Gunakanlah semua perkakas listrik, aksesoris, alat-alat kerja dsb. sesuai dengan petunjuk-petunjuk. Perhatikan syarat-syarat kerja dan macam pekerjaan yang dilakukan.** Penggunaan perkakas listrik untuk macam pekerjaan yang tidak cocok dengan kegunaannya bisa mengakibatkan keadaan yang berbahaya.
- 5) **Servis**
- a) **Biarkan perkakas listrik Anda direparasikan hanya oleh orang-orang ahli yang berpengalaman dan hanya dengan menggunakan suku cadang yang asli.** Dengan demikian terjamin keselamatan kerja dengan perkakas listrik ini secara sinambung.

Petunjuk-petunjuk khusus untuk perkakas-perkakas tertentu

- ▶ **Pakailah pemalut telinga.** Jika Anda mendengar suara bising untuk waktu yang lama, daya pendengaran bisa berkurang.
- ▶ **Gunakanlah gagang tambahan-gagang tambahan yang dipasang bersama perkakas listrik.** Perkakas listrik yang tidak bisa dikendalikan bisa mengakibatkan terjadinya luka-luka.
- ▶ **Gunakanlah alat detektor logam yang cocok untuk mencari kabel dan pipa yang tidak terlihat atau hubungan perusahaan pengadaaan setempat.** Sentuhan dengan kabel-kabel listrik dapat mengakibatkan api dan kontak listrik. Pipa gas yang rusak dapat mengakibatkan ledakan. Pipa air yang rusak mengakibatkan kerusakan barang-barang atau dapat mengakibatkan kontak listrik.
- ▶ **Selama digunakan, peganglah perkakas listrik dengan kedua belah tangan dan perhatikanlah supaya Anda berdiri secara teguh.** Perkakas listrik bisa dikendalikan lebih baik jika dipegang dengan kedua belah tangan.

- ▶ **Usahakan supaya benda yang dikerjakan tidak goyang.** Benda yang ditahan dalam alat pemegang atau bais lebih mantap daripada benda yang dipegang dengan tangan.
- ▶ **Janganlah mengerjakan bahan-bahan yang mengandung asbes.** Asbes dianggap bisa mengakibatkan penyakit kanker.
- ▶ **Lakukanlah tindakan-tindakan untuk keselamatan kerja, jika selama penggunaan perkakas bisa terjadi debu-debu yang berbahaya bagi kesehatan, mudah terbakar atau mudah meledak.** Misalnya: ada debu yang dianggap dapat mengakibatkan penyakit kanker. Pakailah kedok anti debu dan jika mungkin, sambungkan satu penghisap debu/serbuk.
- ▶ **Jagalah supaya tempat di mana Anda bekerja selalu bersih.** Campuran bahan-bahan sangat membahayakan. Debu logam ringan bisa terbakar atau meledak.
- ▶ **Sebelum meletakkan perkakas listrik, tunggulah sampai perkakas berhenti memutar.** Alat kerja bisa tersangkut dan membuat perkakas listrik tidak bisa dikendalikan.
- ▶ **Janganlah menggunakan perkakas listrik, jika kabelnya rusak. Janganlah menyentuh kabel yang rusak dan tariklah steker dari stopkontak, jika kabel menjadi rusak selama penggunaan perkakas listrik.** Kabel yang rusak membuat risiko terjadinya kontak listrik menjadi lebih besar.

Penjelasan tentang cara berfungsi



Bacalah semua petunjuk-petunjuk untuk keselamatan kerja dan petunjuk-petunjuk untuk penggunaan.

Kesalahan dalam menjalankan petunjuk-petunjuk untuk keselamatan kerja dan petunjuk-petunjuk untuk penggunaan dapat mengakibatkan kontak listrik, kebakaran dan/atau luka-luka yang berat.

Bukalah halaman lipatan dengan gambar dari perkakas dan biarkan halaman ini terbuka selama Anda membaca petunjuk-petunjuk untuk penggunaan.

Penggunaan perkakas listrik

GBH 2-26 E/RE

Perkakas listrik ini cocok untuk membor dengan hamering di beton, batu bata dan batu-batuan. Selain itu perkakas listrik ini juga cocok untuk membor tanpa getaran di kayu, logam, keramik dan bahan sintetik. Perkakas listrik dengan pengendalian secara elektronika dan arah putaran ke kanan/kiri juga cocok untuk menyekrup dan mentap.

GBH 2-26 DE/DRE/DFR

Perkakas listrik ini cocok untuk membor dengan hamering di beton, batu bata dan batu-batuan serta untuk pekerjaan memahat yang ringan. Selain itu perkakas listrik ini juga cocok untuk membor tanpa getaran di kayu, logam, keramik dan bahan sintetik. Perkakas listrik dengan pengendalian secara elektronika dan arah putaran ke kanan/kiri juga cocok untuk menyekrup dan mentap.

Data teknis

Mesin bor pakai hamering GBH ... Professional		2-26 E	2-26 RE	2-26 DE	2-26 DRE	2-26 DFR
Nomor model		0 611 251 6..	0 611 251 7..	0 611 253 6..	0 611 253 7..	0 611 254 7..
Pengendalian kecepatan putaran		●	●	●	●	●
Tanpa putaran		–	–	●	●	●
Putaran ke kanan/kiri		–	●	–	●	●
Cekaman mata bor yang bisa diganti-ganti		–	–	–	–	●
Masukan nominal	W	800	800	800	800	800
Banyaknya getaran pada kecepatan putaran nominal	min ⁻¹	0–4000	0–4000	0–4000	0–4000	0–4000
Daya tiap-tiap getar	J	0–3,0	0–3,0	0–3,0	0–3,0	0–3,0
Kecepatan putaran nominal	min ⁻¹	0–900	0–900	0–900	0–900	0–900
Pemegang alat kerja		SDS-plus	SDS-plus	SDS-plus	SDS-plus	SDS-plus
Diameter leher sumbu	mm	50	50	50	50	50
Diameter mata bor maks.:						
– Beton	mm	26	26	26	26	26
– Tembok (dengan mata bor pipa)	mm	68	68	68	68	68
– Baja	mm	13	13	13	13	13
– Kayu	mm	30	30	30	30	30
Berat sesuai dengan EPTA-Procedure 01/2003	kg	2,7	2,7	2,7	2,7	2,9
Klasifikasi keamanan		□ / II	□ / II	□ / II	□ / II	□ / II

Data-data berlaku untuk tegangan nominal [U] 230/240 V. Pada tegangan yang lebih rendah dan pada model khusus manca-negara data-data ini bisa berlainan.

Perhatikanlah nomor model perkakas listrik Anda yang tercantum pada label tipe mesin. Nama dagang dari beberapa perkakas listrik bisa berbeda.

Bagian-bagian pada gambar

Nomor-nomor dari bagian-bagian perkakas pada gambar sesuai dengan gambar perkakas listrik pada halaman bergambar.

- 1 Cekaman mata bor yang bisa diganti-ganti yang dikunci dan dibuka dengan tangan (GBH 2-26 DFR)
- 2 Cekaman mata bor yang bisa diganti-ganti SDS-plus (GBH 2-26 DFR)
- 3 Pemegang alat kerja SDS-plus
- 4 Kap pelindung debu
- 5 Selubung pengunci
- 6 Ring pengunci cekaman mata bor yang bisa diganti-ganti (GBH 2-26 DFR)
- 7 Omsakelar arah putaran (GBH 2-26 RE/DRE/DFR)
- 8 Tombol pengunci untuk tombol untuk menghidupkan dan mematikan mesin
- 9 Tombol untuk menghidupkan dan mematikan mesin
- 10 Knop pelepas kunci sakelar pengatur tanpa hamering/tanpa putaran
- 11 Sakelar pengatur tanpa hamering/tanpa putaran
- 12 Tombol untuk mengganti penyetelan pembatas kedalaman lubang

- 13 Pembatas kedalaman lubang
- 14 Gagang tambahan
- 15 Sekrup pengaman untuk cekaman mata bor pakai kunci bergigi*
- 16 Cekaman mata bor pakai kunci bergigi*
- 17 Batang pegangan SDS-plus untuk cekaman mata bor*
- 18 Pemegang cekaman mata bor (GBH 2-26 DFR)
- 19 Selubung depan dari cekaman mata bor yang bisa diganti-ganti yang dikunci dan dibuka dengan tangan (GBH 2-26 DFR)
- 20 Ring pemegang cekaman mata bor yang bisa diganti-ganti yang dikunci dan dibuka dengan tangan (GBH 2-26 DFR)
- 21 Lubang penghisapan Saugfix*
- 22 Baut penjepit Saugfix*
- 23 Pembatas kedalaman lubang Saugfix*
- 24 Pipa teleskop Saugfix*
- 25 Baut kupu-kupu Saugfix*
- 26 Pipa penghantar Saugfix*
- 27 Pemegang mata obeng bit dengan batang pegangan SDS-plus*

*Aksesori yang ada dalam gambar atau yang dijelaskan tidak termasuk dalam mesin standar yang dipasok.

Cara memasang

- ▶ **Sebelum mulai dengan pekerjaan pada perkakas listrik, tariklah steker dari stopkontak.**

Gagang tambahan

- ▶ **Gunakanlah perkakas listrik hanya dengan gagang tambahan 14.**

Memutar gagang tambahan (lihat gambar A)

Anda bisa memutar gagang tambahan **14** ke kedudukan yang cocok dengan macam pekerjaan, supaya posisi kerja mantap dan tidak begitu melelahkan.

Putarkan pegangan bagian bawah dari gagang tambahan **14** dalam arah yang berlawanan dengan jalannya jarum jam dan putarkan gagang tambahan **14** ke kedudukan yang dikehendaki. Setelah itu pegangan bagian bawah dari gagang tambahan **14** dikencangkan dengan cara memutarkannya dalam arah jalannya jarum jam.

Perhatikanlah supaya pita pemegang dari gagang tambahan berada dalam alur di perumahan yang khusus untuk ini.

Menyetel kedalaman pemboran (lihat gambar B)

Dengan pembatas kedalaman lubang **13** kedalaman pemboran **X** bisa disetelkan.

Tekan tombol untuk mengganti penyetelan pembatas kedalaman lubang **12** dan pasang pembatas kedalaman lubang pada gagang tambahan **14**.

Sisi yang bergerigi dari pembatas kedalaman lubang **13** harus menghadap ke bawah.

Dorongkan alat kerja SDS-plus ke dalam pemegang alat kerja SDS-plus **3** sampai batas. Alat kerja SDS-plus yang bergoyang bisa menyebabkan penyetelan kedalaman lubang yang tidak betul.

Tarik pembatas kedalaman lubang sedemikian, sampai jarak antara pucuk mata bor dan pucuk pembatas kedalaman lubang adalah kedalaman pemboran **X** yang dikehendaki.

Memilih cekaman mata bor dan alat kerja

Untuk pekerjaan membor dengan hamering dan memahat Anda harus menggunakan alat kerja-alat kerja SDS-plus yang dipasangkan dalam cekaman mata bor SDS-plus.

Untuk pekerjaan membor tanpa getaran di kayu, logam, keramik dan bahan sintetik serta untuk menyekrup dan mentap diperlukan alat kerja-alat kerja tanpa SDS-plus (misalnya mata bor dengan gagang berbentuk silinder). Untuk alat kerja-alat kerja ini Anda harus menggunakan cekaman mata bor yang dikunci dan dibuka dengan tangan atau cekaman mata bor pakai kunci bergigi.

Petunjuk: Janganlah menggunakan alat kerja-alat kerja tanpa SDS-plus untuk membor pakai hamering atau untuk memahat! Alat kerja-alat kerja tanpa SDS-plus dan cekaman mata bornya menjadi rusak jika digunakan untuk membor pakai hamering dan memahat.

GBH 2-26 DFR: Cekaman mata bor yang bisa diganti-ganti SDS-plus **2** bisa diganti dengan mudahnya dengan cekaman mata bor yang bisa diganti-ganti yang dikunci dan dibuka dengan tangan **1** yang ikut dipasok bersama dengan perkakas listrik.

Mengganti cekaman mata bor pakai kunci bergigi (GBH 2-26 E/RE/DE/DRE)

Untuk bekerja dengan alat kerja-alat kerja tanpa SDS-plus (misalnya mata bor dengan gagang berbentuk silinder) harus dipasangkan cekaman mata bor yang cocok (cekaman mata bor pakai kunci bergigi atau cekaman mata bor yang dikunci dan dibuka dengan tangan, aksesori).

Memasang cekaman mata bor pakai kunci bergigi (lihat gambar C)

Ulirkan batang pegangan SDS-plus untuk cekaman mata bor **17** dalam cekaman mata bor pakai kunci bergigi **16**. Kencangkan cekaman mata bor pakai kunci bergigi **16** dengan sekrup pengaman **15**. **Perhatikanlah bahwa sekrop pengaman mempunyai ulir kiri.**

Memasukkan cekaman mata bor pakai kunci bergigi (lihat gambar C)

Bersihkan ujung pegang dari batang pegangan cekaman mata bor dan lumasnya sedikit.

Pasangkan cekaman mata bor pakai kunci bergigi dengan batang ke dalam pemegang alat kerja dengan cara memutarnya sampai mengancing sendiri.

Periksalah apakah sudah terkunci dengan cara menarik cekaman mata bor pakai kunci bergigi.

Melepaskan cekaman mata bor pakai kunci bergigi

Geserkan selubung pengunci **5** ke belakang dan lepaskan cekaman mata bor pakai kunci bergigi **16**.

Melepaskan/memasang cekaman mata bor yang bisa diganti-ganti (GBH 2-26 DFR)

Melepaskan cekaman mata bor yang bisa diganti-ganti (lihat gambar D)

Tariklah ring pengunci dari cekaman mata bor yang bisa diganti-ganti **6** ke belakang, tahankannya dalam kedudukan ini dan tariklah cekaman mata bor yang bisa diganti-ganti SDS-plus **2** atau cekaman mata bor yang bisa diganti-ganti yang dikunci dan dibuka dengan tangan **1** ke depan sampai lepas.

Jagalah supaya cekaman mata bor setelah dilepaskan tidak menjadi kotor.

Memasang cekaman mata bor yang bisa diganti-ganti (lihat gambar E)

Bersihkan cekaman mata bor yang bisa diganti-ganti sebelum memasangkannya dan lumasi sedikit ujung pegangnya.

Peganglah cekaman mata bor yang bisa diganti-ganti SDS-plus **2** atau cekaman mata bor yang bisa diganti-ganti yang dikunci dan dibuka dengan tangan **1** sehingga berada di dalam genggaman tangan. Dorongkan cekaman mata bor yang bisa diganti-ganti pada pemegang cekaman mata bor **18** sambil memutarannya, sampai jelas terdengar bunyi mengancing.

Cekaman mata bor yang bisa diganti-ganti mengancing sendiri. Periksalah apakah sudah terkunci dengan cara menarik cekaman mata bor yang bisa diganti-ganti.

Mengganti alat kerja

Kap pelindung debu **4** menghindarkan debu masuk ke dalam pemegang alat kerja selama mesin digunakan. Selama memasang alat kerja, perhatikanlah supaya kap pelindung debu **4** tidak menjadi rusak.

► **Kap pelindung debu yang rusak harus segera diganti. Kami anjurkan supaya pekerjaan ini dilakukan oleh suatu Service Center Bosch.**

Memasang alat kerja SDS-plus (lihat gambar F)

Dengan cekaman mata bor SDS-plus Anda bisa memasangkan alat kerja dengan mudah dan cepat dan tidak diperlukan perkakas lainnya untuk membantu.

GBH 2-26 DFR: Pasangkan cekaman mata bor yang bisa diganti-ganti SDS-plus **2**.

Bersihkan ujung pegang dari alat kerja dan lumasinya sedikit.

Masukkan alat kerja ke dalam pemegang alat kerja sambil memutarannya sampai mengancing sendiri.

Periksalah apakah alat kerja sudah terkunci dengan cara menariknya.

Alat kerja SDS-plus harus bisa bergerak dengan bebas. Hal ini menimbulkan penyimpangan putaran sewaktu perkakas listrik berjalan tanpa beban. Ini tidak mempengaruhi ketepatan lubang bor, karena mata bor memusat sendiri sewaktu membor.

Melepaskan alat kerja SDS-plus (lihat gambar G)

Dorongkan selubung pengunci **5** ke belakang dan lepaskan alat kerja.

Memasang alat kerja-alat kerja tanpa SDS-plus (GBH 2-26 E/RE/DE/DRE)

Petunjuk: Janganlah menggunakan alat kerja-alat kerja tanpa SDS-plus untuk membor pakai hamering atau untuk memahat! Alat kerja-alat kerja tanpa SDS-plus dan cekaman mata bornya menjadi rusak jika digunakan untuk membor pakai hamering dan memahat.

Pasangkan cekaman mata bor pakai kunci bergigi **16** (lihat „Mengganti cekaman mata bor pakai kunci bergigi“, halaman 45).

Bukakan cekaman mata bor pakai kunci bergigi **16** dengan cara memutarannya, sampai alat kerja bisa dipasangkan. Pasangkan alat kerja.

Masukkan kunci cekaman mata bor ke dalam lubang-lubang yang khusus untuknya di cekaman mata bor pakai kunci bergigi **16** dan kencangkan alat kerja secara rata.

Putarkan sakelar pengatur tanpa hamering/tanpa putaran **11** ke posisi „membor“.

Melepaskan alat kerja-alat kerja tanpa SDS-plus (GBH 2-26 E/RE/DE/DRE)

Putarkan selubung dari cekaman mata bor pakai kunci bergigi **16** dengan menggunakan kunci cekaman mata bor dalam arah yang berlawanan dengan jalannya jarum jam hingga alat kerja bisa dikeluarkan.

Memasang alat kerja-alat kerja tanpa SDS-plus (GBH 2-26 DFR) (lihat gambar H)

Petunjuk: Janganlah menggunakan alat kerja-alat kerja tanpa SDS-plus untuk membor pakai hamering atau untuk memahat! Alat kerja-alat kerja tanpa SDS-plus dan cekaman mata bornya menjadi rusak jika digunakan untuk membor pakai hamering dan memahat.

Pasangkan cekaman mata bor yang bisa diganti-ganti yang dikunci dan dibuka dengan tangan **1**.

Tahankan ring pemegang **20** dari cekaman mata bor yang bisa diganti-ganti yang dikunci dan dibuka dengan tangan. Buka pemegang alat kerja dengan cara memutar selubung bagian depan **19** sedemikian sampai alat kerja bisa dimasukkan. Tahan ring pemegang **20** dan putarkan selubung bagian depan **19** secara kencang dalam arah panah sampai jelas terdengar bunyi ceklek-ceklek.

Periksalah apakah kedudukannya sudah kencang dengan cara menarik alat kerja.

Petunjuk: Setelah pemegang alat kerja dibuka sampai batas, bisa jadi sewaktu pemegang alat kerja ditutup terdengar bunyi ceklek-ceklek dan pemegang alat kerja tidak menutup.

Dalam hal demikian, putarkan selubung bagian depan **19** satu kali dalam arah yang berlawanan dengan arah panah. Setelah itu pemegang alat kerja bisa ditutup kembali.

Putarkan sakelar pengatur tanpa hamering/tanpa putaran **11** ke posisi „membor“.

Melepaskan alat kerja-alat kerja tanpa SDS-plus (GBH 2-26 DFR) (lihat gambar I)

Tahankan ring pemegang **20** dari cekaman mata bor yang bisa diganti-ganti yang dikunci dan dibuka dengan tangan. Buka pemegang alat kerja dengan cara memutar selubung bagian depan **19** dalam arah panah sampai alat kerja bisa dikeluarkan.

Penghisapan debu dengan Saugfix (aksesori)

Memasang Saugfix (lihat gambar J)

Untuk penghisapan debu diperlukan sarana Saugfix (aksesori). Pada waktu pekerjaan membor Saugfix kembali dengan sendirinya, sehingga kepala Saugfix selalu dekat pada permukaan benda yang dikerjakan.

Tekan tombol untuk mengganti penyetelan pembatas kedalaman lubang **12** dan lepaskan pembatas kedalaman lubang **13**. Tekan tombol **12** sekali lagi dan pasang Saugfix dari depan pada gagang tambahan **14**.

Sambungkan satu slang penghisapan (diameter 19 mm, aksesori) pada lubang penghisapan **21** dari Saugfix.

Mesin penghisap debu harus cocok untuk menghisap bahan yang dikerjakan.

Gunakanlah mesin penghisap khusus jika debu yang terjadi sangat berbahaya bagi kesehatan, bisa mengakibatkan penyakit kanker atau sangat kering.

Menyetel kedalaman lubang bor pada Saugfix (lihat gambar K)

Anda juga bisa menyetel kedalaman lubang bor **X** yang diperlukan pada Saugfix yang terpasang.

Dorongkan alat kerja SDS-plus ke dalam pemegang alat kerja SDS-plus **3** sampai batas. Alat kerja SDS-plus yang bergoyang bisa menyebabkan penyetelan kedalaman lubang yang tidak betul.

Lepaskan baut kupu-kupu **25** pada Saugfix.

Pasangkan perkakas listrik, tanpa menghidupkannya, secara mantap pada permukaan yang akan dibor. Alat kerja SDS-plus harus mengena pada permukaan yang akan dibor.

Geserkan pipa penghantar **26** dari Saugfix sedemikian dalam pegangannya, sampai kepala Saugfix terkena pada permukaan yang akan dibor. Geserkan pipa penghantar **26** yang menyelubungi pipa teleskop **24** sesedikit mungkin, supaya bagian sebesar mungkin dari skala pada pipa teleskop **24** bisa dilihat.

Kencangkan kembali baut kupu-kupu **25**. Lepaskan baut penjepit **22** pada pembatas kedalaman lubang dari Saugfix.

Geserkan pembatas kedalaman lubang **23** sedemikian pada pipa teleskop **24**, sehingga jarak **X** yang terlihat pada gambar sama dengan kedalaman lubang bor yang diperlukan.

Kencangkan baut penjepit **22** dalam kedudukan ini.

Penggunaan

Cara penggunaan

- ▶ **Perhatikan tegangan jaringan listrik! Tegangan jaringan listrik harus sesuai dengan tegangan listrik yang tercantum pada label tipe perkakas listrik.**

Menyetel macam pekerjaan

Dengan sakelar pengatur tanpa hamering/tanpa putaran **11** Anda bisa menyetelkan cara berfungsi dari perkakas listrik.

Petunjuk: Tukarkan cara berfungsi dari perkakas listrik hanya jika perkakas listrik dalam penyetelan mati! Jika tidak, perkakas listrik bisa menjadi rusak.

Untuk menukar cara berfungsi, tekan knop pelepas kunci **10** dan putarkan sakelar pengatur tanpa hamering/tanpa putaran **11** ke posisi yang dikehendaki, sampai jelas terdengar bahwa sakelar terkunci.

GBH 2-26 E/RE



Posisi untuk **membor pakai hamering** di beton atau batu



Posisi untuk **membor** tanpa hamering di kayu, logam, keramik dan bahan sintetik serta untuk menyekrup dan mantap

Posisi **Vario-Lock** untuk menyetel kedudukan pahat
Pada posisi ini sakelar pengatur tanpa hamering/tanpa putaran **11** tidak mengunci.


Posisi untuk **memahat**


GBH 2-26 DE/DRE/DFR



Menyetel arah putaran (GBH 2-26 RE/DRE/DFR)

Dengan omsakelar arah putaran **7** Anda bisa merubah arah putaran dari perkakas listrik. Akan tetapi ini tidak mungkin jika tombol untuk menghidupkan dan mematikan mesin **9** sedang ditekan.

🔁 **Putaran ke kanan:** Putarkan omsakelar arah putaran **7** pada kedua sisi sampai batas ke posisi .

🔁 **Putaran ke kiri:** Putarkan omsakelar arah putaran **7** pada kedua sisi sampai batas ke posisi .

Setelkan selalu arah putaran ke kanan pada waktu membor pakai hamering, membor dan memahat.

Menghidupkan/mematikan perkakas listrik

Untuk **menghidupkan** perkakas listrik, tekan tombol untuk menghidupkan dan mematikan mesin **9**.

Untuk **mengunci** tombol untuk menghidupkan dan mematikan mesin, tahan tekanan pada tombol ini dan tekan tombol pengunci **8**.

Untuk **mematikan** perkakas listrik, lepaskan tombol **9**. Jika tombol **9** terkunci, tekan tombol ini dahulu, lalu tombol ini dilepaskan.

Menyetel kecepatan putaran/banyaknya getaran

Anda bisa mengatur kecepatan putaran/banyaknya getaran pada perkakas listrik yang sedang berjalan tanpa tingkatan, dengan cara menambah atau mengurangi tekanan pada tombol untuk menghidupkan dan mematikan **9**.

Tekanan yang ringan pada tombol untuk menghidupkan dan mematikan **9** mengakibatkan kecepatan putaran yang rendah/banyaknya getaran yang sedikit. Jika tekanan ditambah, kecepatan putaran/banyaknya getaran bertambah pula.

Kopling pengaman

- ▶ **Jika alat kerja terjepit atau tersangkut, maka daya penggerak ke sumbu utama terhenti. Peganglah perkakas listrik selalu dengan kedua belah tangan dan berdirilah secara mantap, berhubung dalam hal demikian terjadi momen yang besar.**
- ▶ **Matikan perkakas listrik dan lepaskan alat kerja, jika perkakas listrik memblok. Jika perkakas listrik dengan mata bor yang memblok dihidupkan, terjadi momen reaksi yang tinggi.**

Petunjuk-petunjuk untuk pemakaian

Mengganti kedudukan pahat (Vario-Lock) (GBH 2-26 DE/DRE/DFR)

Pahat bisa dikuncikan pada 36 posisi. Dengan demikian bisa disetelkan posisi kerja yang paling cocok.

Masukkan pahat ke dalam pemegang alat kerja.

Putarkan sakelar pengatur tanpa hamering/tanpa putaran **11** ke posisi „Vario-Lock“ (lihat „Menyetel macam pekerjaan“, halaman 47).

Putarkan pemegang alat kerja ke posisi pahat yang dikehendaki.

Putarkan sakelar pengatur tanpa hamering/tanpa putaran **11** ke posisi „memahat“. Dengan demikian pemegang alat kerja terkancing.

Untuk memahat, setelkan arah putaran ke kanan.

Memasang mata obeng bit (lihat gambar L)

- ▶ **Pasangkan perkakas listrik pada mur/sekrup hanya jika perkakas listrik dalam keadaan mati.** Alat kerja-alat kerja yang berputar bisa meleset.

Untuk penggunaan mata obeng bit diperlukan pemegang mata obeng bit **27** dengan batang pegangan SDS-plus (aksesori).

Bersihkan ujung pegang dari batang pegangan cekaman mata bor dan lumasnya sedikit.

Pasangkan pemegang mata obeng bit dalam pemegang alat kerja sambil memutarannya, sampai mengancing sendiri.

Periksalah apakah sudah mengancing dengan cara menarik pemegang mata obeng bit.

Pasangkan satu mata obeng bit dalam pemegang mata obeng bit. Gunakanlah hanya mata obeng bit yang cocok pada kepala sekrup.

Untuk melepaskan pemegang mata obeng bit, geserkan selubung pengunci **5** ke belakang dan keluarkan pemegang mata obeng bit **27** dari pemegang alat kerja.

Rawatan dan servis

Rawatan dan kebersihan

- ▶ **Sebelum mulai dengan pekerjaan pada perkakas listrik, tariklah steker dari stopkontak.**
- ▶ **Perkakas listrik dan lubang ventilasi harus selalu dibersihkan supaya perkakas bisa digunakan dengan baik dan aman.**
- ▶ **Kap pelindung debu yang rusak harus segera diganti. Kami anjurkan supaya pekerjaan ini dilakukan oleh suatu Service Center Bosch.**

Bersihkan pemegang alat kerja **3** setiap kali setelah digunakan.

Jika pada suatu waktu perkakas listrik ini tidak bisa berjalan meskipun telah diproduksi dan diperiksa dengan seksama, maka reparasinya harus dilakukan oleh Service Center perkakas listrik Bosch yang resmi.

Jika Anda hendak menanyakan sesuatu atau memesan suku cadang, sebutkan selalu nomor model yang terdiri dari 10 angka dan tercantum pada label tipe perkakas.

Servis dan informasi bagi pelanggan

Gambar-gambar teknis dari bagian-bagian perkakas dan keterangan tentang suku cadang bisa dilihat di: **www.bosch-pt.com**

Hubungilah selalu agen Bosch dalam hal garansi, reparasi dan pembelian suku cadang.

Indonesia

P. T. Multi Tehaka
Kawasan Industri Pulogadung
Jalan Rawa Gelam III No. 2
Jakarta 13260
Indonesia

☎ +62 21 / 4 60 12 28

Fax. +62 21 / 46 82 68 23

E-Mail: sales@multitehaka.co.id

www.multitehaka.co.id

Cara membuang

Perkakas listrik, aksesori dan kemasan sebaiknya didaur ulang sesuai dengan upaya untuk melindungi lingkungan hidup.

Perubahan adalah hak Bosch.

Cảnh báo tổng quát cách sử dụng an toàn dụng cụ điện cầm tay

⚠ CẢNH BÁO

Đọc kỹ mọi cảnh báo an toàn và hướng dẫn. Không tuân thủ mọi

cảnh báo và hướng dẫn được liệt kê dưới đây có thể bị điện giật, gây cháy và/hay bị thương tật nghiêm trọng.

Hãy giữ tất cả tài liệu về cảnh báo và hướng dẫn để tham khảo về sau.

Thuật ngữ "dụng cụ điện cầm tay" trong phần cảnh báo là đề cập đến sự sử dụng dụng cụ điện cầm tay của bạn, loại sử dụng điện nguồn (có dây cắm điện) hay vận hành bằng pin (không dây cắm điện).

1) Khu vực làm việc an toàn

- Giữ nơi làm việc sạch và đủ ánh sáng.** Nơi làm việc bừa bộn và tối tăm dễ gây ra tai nạn.
- Không vận hành dụng cụ điện cầm tay trong môi trường dễ gây nổ, chẳng hạn như nơi có chất lỏng dễ cháy, khí đốt hay rác.** Dụng cụ điện cầm tay tạo ra các tia lửa nên có thể làm rác bén cháy hay bốc khói.
- Không để trẻ em hay người đến xem đứng gần khi vận hành dụng cụ điện cầm tay.** Sự phân tâm có thể gây ra sự mất điều khiển.

2) An toàn về điện

- Phích cắm của dụng cụ điện cầm tay phải thích hợp với ổ cắm. Không bao giờ được cải biến lại phích cắm dưới mọi hình thức. Không được sử dụng phích tiếp hợp nối tiếp đất (dây mát).** Phích cắm nguyên bản và ổ cắm đúng loại sẽ làm giảm nguy cơ bị điện giật.
- Tránh không để thân thể tiếp xúc với đất hay các vật có bề mặt tiếp đất như đường ống, lò sưởi, hàng rào và tủ lạnh.** Có nhiều nguy cơ bị điện giật hơn nếu cơ thể bạn bị tiếp hay nối đất.
- Không được để dụng cụ điện cầm tay ngoài mưa hay ở tình trạng ẩm ướt.** Nước vào máy sẽ làm tăng nguy cơ bị điện giật.
- Không được lạm dụng dây dẫn điện. Không bao giờ được nắm dây dẫn để xách, kéo hay rút phích cắm dụng cụ điện cầm tay. Không để dây gần nơi có nhiệt độ cao, dầu nóng, vật nhọn bén hay bộ phận chuyển động.** Làm hỏng hay cuộn rối dây dẫn làm tăng nguy cơ bị điện giật.
- Khi sử dụng dụng cụ điện cầm tay ngoài trời, dùng dây nối thích hợp cho việc sử dụng ngoài trời.** Sử dụng dây nối thích hợp cho việc sử dụng ngoài trời làm giảm nguy cơ bị điện giật.

f) **Nếu việc sử dụng dụng cụ điện cầm tay ở nơi ẩm ướt là không thể tránh được, dùng thiết bị ngắt mạch tự động (RCD) bảo vệ nguồn.** Sử dụng thiết bị ngắt mạch tự động RCD làm giảm nguy cơ bị điện giật.

3) An toàn cá nhân

- Hãy tỉnh táo, biết rõ mình đang làm gì và hãy sử dụng ý thức khi vận hành dụng cụ điện cầm tay. Không sử dụng dụng cụ điện cầm tay khi đang mệt mỏi hay đang bị tác động do chất gây nghiện, rượu hay được phẩm gây ra.** Một thoáng mất tập trung khi đang vận hành dụng cụ điện cầm tay có thể gây thương tích nghiêm trọng cho bản thân.
 - Sử dụng trang bị bảo hộ cá nhân. Luôn luôn đeo kính bảo vệ mắt.** Trang bị bảo hộ như khẩu trang, giày chống trượt, nón bảo hộ, hay dụng cụ bảo vệ tai khi được sử dụng đúng nơi đúng chỗ sẽ làm giảm nguy cơ thương tật cho bản thân.
 - Phòng tránh máy khởi động bất ngờ. Bảo đảm công tắc máy ở vị trí tắt trước khi cắm vào nguồn điện và/hay lắp pin vào, khi nhắc máy lên hay khi mang xách máy.** Ngáng ngón tay vào công tắc máy để xách hay kích hoạt dụng cụ điện cầm tay khi công tắc ở vị trí mở dễ dẫn đến tai nạn.
 - Lấy mọi chia hay khóa điều chỉnh ra trước khi mở điện dụng cụ điện cầm tay.** Khóa hay chia còn gắn dính vào bộ phận quay của dụng cụ điện cầm tay có thể gây thương tích cho bản thân.
 - Không rướn người. Luôn luôn giữ tư thế đứng thích hợp và thăng bằng.** Điều này tạo cho việc điều khiển dụng cụ điện cầm tay tốt hơn trong mọi tình huống bất ngờ.
 - Trang phục thích hợp. Không mặc quần áo lủng thụng hay mang trang sức. Giữ tóc, quần áo và gang tay xa khỏi các bộ phận chuyển động.** Quần áo lủng thụng, đồ trang sức hay tóc dài có thể bị cuốn vào các bộ phận chuyển động.
 - Nếu có các thiết bị đi kèm để nối máy hút bụi và các phụ kiện khác, bảo đảm các thiết bị này được nối và sử dụng tốt.** Việc sử dụng các thiết bị gom hút bụi có thể làm giảm các độc hại liên quan đến bụi gây ra.
- ### 4) Sử dụng và bảo dưỡng dụng cụ điện cầm tay
- Không được ép máy. Sử dụng dụng cụ điện cầm tay đúng loại theo đúng ứng dụng của bạn.** Dụng cụ điện cầm tay đúng chức năng sẽ làm việc tốt và an toàn hơn theo đúng tiến độ mà máy được thiết kế.
 - Không sử dụng dụng cụ điện cầm tay nếu như công tắc không tắt và mở được.** Bất kỳ

dụng cụ điện cầm tay nào mà không thể điều khiển được bằng công tắc là nguy hiểm và phải được sửa chữa.

- c) **Rút phích cắm ra khỏi nguồn điện và/hay pin ra khỏi dụng cụ điện cầm tay trước khi tiến hành bất kỳ điều chỉnh nào, thay phụ kiện, hay cất dụng cụ điện cầm tay.** Các biện pháp ngăn ngừa như vậy làm giảm nguy cơ dụng cụ điện cầm tay khởi động bất ngờ.
 - d) **Cất giữ dụng cụ điện cầm tay không dùng tới nơi trẻ em không lấy được và không cho người khác chưa từng biết dụng cụ điện cầm tay hay các hướng dẫn này sử dụng dụng cụ điện cầm tay.** Dụng cụ điện cầm tay nguy hiểm khi ở trong tay người chưa được chỉ cách sử dụng.
 - e) **Bảo quản dụng cụ điện cầm tay. Kiểm tra xem các bộ phận chuyển động có bị sai lệch hay kẹt, các bộ phận bị rạn nứt và các tình trạng khác có thể ảnh hưởng đến sự vận hành của máy. Nếu bị hư hỏng, phải sửa chữa máy trước khi sử dụng.** Nhiều tai nạn xảy ra do bảo quản dụng cụ điện cầm tay tồi.
 - f) **Giữ các dụng cụ cất bên và sạch.** Bảo quản đúng cách các dụng cụ cất có cạnh cất bên làm giảm khả năng bị kẹt và dễ điều khiển hơn.
 - g) **Sử dụng dụng cụ điện cầm tay, phụ kiện, đầu cài v. v., đúng theo các chỉ dẫn này, hãy lưu ý đến điều kiện làm việc và công việc phải thực hiện.** Sử dụng dụng cụ điện cầm tay khác với mục đích thiết kế có thể tạo nên tình huống nguy hiểm.
- 5) **Bảo dưỡng**
- a) **Đưa dụng cụ điện cầm tay của bạn đến thợ chuyên môn để bảo dưỡng, chỉ sử dụng phụ tùng đúng chủng loại để thay.** Điều này sẽ đảm bảo sự an toàn của máy được giữ nguyên.

Chỉ dẫn chi tiết để sử dụng máy an toàn

- ▶ **Hãy mang dụng cụ bảo vệ tai.** Để tai trần tiếp xúc với tiếng ồn có thể làm mất thính giác.
- ▶ **Luôn luôn sử dụng tay nắm phụ cung cấp kèm theo máy.** Sự mất kiểm soát có thể gây thương tích cho bản thân.
- ▶ **Dùng thiết bị dò tìm thích hợp để xác định nếu có các công trình công cộng lắp đặt ngầm trong khu vực làm việc hay liên hệ với Cty công trình Công cộng địa phương để nhờ hỗ trợ.** Dụng cụ chạm đường dẫn điện có thể gây ra hỏa hoạn và điện giật. Làm hư hại đường dẫn khí ga có thể gây nổ. Làm thủng đường dẫn nước gây hư hỏng tài sản hay có khả năng gây ra điện giật.

- ▶ **Khi sử dụng máy, luôn luôn giữ chặt máy bằng cả hai tay và tạo tư thế đứng vững chắc.** Dụng cụ điện cầm tay vận hành an toàn hơn khi dùng cả hai tay.
- ▶ **Kẹp chặt vật gia công.** Vật gia công được kẹp bằng một thiết bị kẹp hay bằng ê-tô thì vững chắc hơn giữ bằng tay.
- ▶ **Không sử dụng vật liệu có chứa chất amiăng.** Amiăng được xem là chất gây ung thư.
- ▶ **Sử dụng mọi biện pháp bảo vệ vì trong lúc thao tác có thể sản sinh ra loại bụi gây nguy hại đến sức khỏe, dễ cháy hay nổ.** Ví dụ: Một số loại bụi được xem như chất gây ra ung thư. Hãy mang khẩu trang chống bụi và sử dụng thiết bị hút dăm/bụi khi có thể lắp nối vào.
- ▶ **Giữ nơi làm việc của bạn gọn gàng.** Vật liệu có cấu tạo hỗn hợp là đặc biệt nguy hiểm. Bụi từ hợp kim nhẹ có thể cháy hay nổ.
- ▶ **Luôn luôn đợi cho máy hoàn toàn ngừng hẳn trước khi đặt xuống.** Dụng cụ lắp vào máy có thể bị kẹp chặt dẫn đến việc dụng cụ điện cầm tay bị mất điều khiển.
- ▶ **Không bao giờ được sử dụng máy có dây dẫn bị hỏng. Không được chạm vào dây dẫn bị hỏng và kéo phích cắm chính ra trong lúc vận hành mà dây dẫn bị hỏng.** Dây dẫn bị hỏng làm tăng nguy cơ bị điện giật.

Mô tả chức năng



Đọc kỹ mọi cảnh báo an toàn và mọi hướng dẫn. Không tuân thủ mọi cảnh báo và hướng dẫn được liệt kê dưới đây có thể bị điện giật, gây cháy và/hay bị thương tật nghiêm trọng.

Trong khi đọc các hướng dẫn sử dụng, mở trang gấp hình ảnh máy và để mở nguyên như vậy.

Dành sử dụng cho

GBH 2-26 E/RE

Máy được thiết kế để khoan búa vào bê tông, gạch và đá. Máy cũng thích hợp để khoan không có động tác đập vào gỗ, kim loại, đồ gốm và nhựa mũ. Máy có bộ phận điều khiển điện tử và quay phải/trái và cũng thích hợp cho việc bắt vít và cắt ren.

GBH 2-26 DE/DRE/DFR

Máy được thiết kế để khoan búa vào bê tông, gạch và đá, cũng như cho công việc đục nhẹ. Máy cũng thích hợp để khoan không có động tác đập vào gỗ, kim loại, đồ gốm và nhựa mũ. Máy có bộ phận điều khiển điện tử và quay phải/trái và cũng thích hợp cho việc bắt vít và cắt ren.

Thông số kỹ thuật

Khoan Búa GBH ... Professional		2-26 E	2-26 RE	2-26 DE	2-26 DRE	2-26 DFR
Mã số máy		0 611 251 6..	0 611 251 7..	0 611 253 6..	0 611 253 7..	0 611 254 7..
Điều khiển tốc độ		●	●	●	●	●
Ngừng quay		-	-	●	●	●
Quay Phải/Trái		-	●	-	●	●
Mâm cặp thay nhanh		-	-	-	-	●
Công suất vào danh định	W	800	800	800	800	800
Tần suất đập ở tốc độ danh định	bpm	0-4000	0-4000	0-4000	0-4000	0-4000
Công lực của mỗi cú đập	J	0-3,0	0-3,0	0-3,0	0-3,0	0-3,0
Tốc độ danh định	v/p	0-900	0-900	0-900	0-900	0-900
Phần lắp dụng cụ		SDS-plus	SDS-plus	SDS-plus	SDS-plus	SDS-plus
Đường kính cổ trục	mm	50	50	50	50	50
Đường kính khoan, tối đa:						
- Bê tông	mm	26	26	26	26	26
- Xây bằng gạch (mũi khoan ống)	mm	68	68	68	68	68
- Thép	mm	13	13	13	13	13
- Gỗ	mm	30	30	30	30	30
Trọng lượng theo Quy trình EPTA-Procedure 01/2003	kg	2,7	2,7	2,7	2,7	2,9
Cấp độ bảo vệ		□ / II	□ / II	□ / II	□ / II	□ / II

Các giá trị đã cho có hiệu lực cho điện thế danh định [U] 230/240 V. Đối với điện thế thấp hơn và các loại máy dành riêng cho một số quốc gia, các giá trị này có thể thay đổi.

Xin vui lòng xem kỹ mã số máy trên nhãn máy của bạn. Tên thương mại của từng máy có thể khác nhau.

Biểu trưng của sản phẩm

Sự đánh số các biểu trưng của sản phẩm là để tham khảo hình minh họa của máy trên trang hình ảnh.

- Mâm cặp không cần chìa thay nhanh (GBH 2-26 DFR)
- Mâm cặp thay nhanh SDS-plus (GBH 2-26 DFR)
- Phần lắp dụng cụ SDS-plus
- Chụp ngăn bụi
- Vòng Khóa
- Vòng khóa của mâm cặp thay nhanh (GBH 2-26 DFR)
- Gạc vận chuyển đổi chiều quay (GBH 2-26 RE/DRE/DFR)
- Nút khóa giữ chế độ tự-chạy của công tắc Tắt/Mở
- Công tắc Tắt/Mở
- Nút nhả để sử dụng gạc chọn chế độ hoạt động
- Gạc chọn chế độ hoạt động
- Nút điều chỉnh cho cỡ định chiều sâu

13 Đũa định cỡ sâu

14 Tay nắm phụ

15 Vít bắt chặt cho mâm cặp khoan loại dùng chìa*

16 Mâm cặp khoan loại dùng chìa*

17 Chuôi tiếp hợp SDS-plus cho mâm cặp khoan*

18 Miệng ống lắp mâm cặp khoan (GBH 2-26 DFR)

19 Vòng xoay ngoài của mâm cặp không cần chìa thay nhanh (GBH 2-26 DFR)

20 Vành cố định của mâm cặp không cần chìa thay nhanh (GBH 2-26 DFR)

21 Ống hút của phụ kiện gá lắp hút bụi*

22 Vít bắt cố định dành cho phụ kiện gá lắp hút bụi*

23 Cỡ định độ sâu của phụ kiện gá lắp hút bụi*

24 Ống lồng của phụ kiện gá lắp hút bụi*

25 Vít tai hồng của phụ kiện gá lắp hút bụi*

26 Ống dẫn hướng của phụ kiện gá lắp hút bụi*

27 Phần lắp đầu gài phổ thông với chuôi SDS-plus*

*Các phụ tùng được minh họa hay mô tả không nằm trong tiêu chuẩn hàng hóa được giao kèm.

Sự lắp vào

- ▶ Trước khi tiến hành bất cứ việc gì trên máy, kéo phích cắm chính ra.

Tay nắm phụ

- ▶ Chỉ vận hành máy của bạn khi đã gắn tay nắm phụ 14.

Xoay Tay Nắm Phụ (xem hình A)

Tay nắm phụ 14 có thể chỉnh đặt ở bất cứ vị trí nào mà tạo ra được sự an toàn và tự thể làm việc thoải mái nhất.

Vận phần thân dưới của tay nắm phụ 14 ngược chiều kim đồng hồ và xoay tay nắm phụ 14 vào vị trí muốn đặt. Sau đó vận chặt phần thân dưới của tay nắm phụ 14 lại theo chiều kim đồng hồ.

Hãy lưu ý rằng nẹp định vị của tay nắm phụ được đặt trong rãnh nằm trên vỏ máy đúng như chủ định.

Điều Chỉnh Cỡ Sâu Khoan (xem hình B)

Cỡ sâu muốn khoan **X** có thể chỉnh đặt bằng cỡ định chiều sâu 13.

Nhấn nút chỉnh đặt đĩa định độ sâu 12 và lắp đĩa định độ sâu vào tay nắm phụ 14.

Bề mặt khía vân của đĩa định độ sâu 13 phải hướng xuống dưới.

Lắp dụng cụ khoan SDS-plus vào hết trong phần lắp dụng cụ SDS-plus 3. Nếu không, sự chuyển dịch của dụng cụ khoan SDS-plus có thể dẫn đến sự điều chỉnh sai độ sâu khoan.

Kéo cỡ định chiều sâu ra cho đến khi khoảng cách giữa đầu mũi khoan và đầu cỡ định chiều sâu thích ứng với chiều sâu lỗ khoan muốn có **X**.

Chọn Lựa Mâm Cặp Khoan và Dụng Cụ

Để đục hay khoan búa, cần phải sử dụng loại dụng cụ SDS-plus để lắp vào mâm cặp khoan SDS-plus.

Để khoan không có động tác đập vào gỗ, kim loại, đồ gốm và nhựa mủ cũng như để bắt vít và cắt ren, không cần sử dụng loại dụng cụ SDS-plus (vd., khoan có chuỗi hình trụ). Đối với những dụng cụ loại này, chỉ cần loại mâm cặp không cần chia hay mâm cặp khoan loại dùng chia là được.

Ghi Chú: Không sử dụng dụng cụ không phải loại SDS-plus để khoan hay đục có động tác búa! Khoan hay đục có động tác búa làm hỏng dụng cụ không phải loại SDS-plus và mâm cặp của chúng.

GBH 2-26 DFR: Mâm cặp thay nhanh SDS-plus 2 có thể dễ dàng thay thế mâm cặp không cần chia thay nhanh 1 được cung cấp.

Thay Mâm Cặp Khoan Loại Dùng Chia Vận (GBH 2-26 E/RE/DE/DRE)

Để vận hành với dụng cụ không phải là SDS-plus (vd., khoan có chuỗi hình trụ), phải lắp loại mâm cặp khoan thích hợp vào (mâm cặp khoan cần chia hay không cần chia, phụ kiện).

Lắp Mâm Cặp Khoan Loại Dùng Chia (xem hình C)

Vận chuỗi tiếp hợp SDS-plus 17 vào trong mâm cặp khoan loại dùng chia 16. Bắt cố định mâm cặp khoan loại dùng chia 16 bằng vít giữ cố định 15. **Xin vui lòng lưu ý vít giữ cố định có ren trái.**

Lắp Mâm Cặp Khoan Loại Dùng Chia (xem hình C)

Làm sạch cán chuỗi của chuỗi tiếp hợp và bôi một lớp mỏng dầu bôi trơn lên.

Lắp mâm cặp khoan loại dùng chia với phần chuỗi tiếp hợp vào trong phần lắp dụng cụ bằng động tác xoay cho đến khi được tự động khóa lại.

Kiểm tra hiệu quả khóa bằng cách kéo thử mâm cặp khoan loại dùng chia ra.

Tháo Mâm Cặp Khoan Loại Dùng Chia

Đẩy vòng khóa 5 ra phía sau và kéo mâm cặp khoan loại dùng chia ra 16.

Tháo/Lắp Mâm Cặp Thay Nhanh (GBH 2-26 DFR)

Tháo Mâm Cặp Thay Nhanh (xem hình D)

Kéo vòng khóa dành cho mâm cặp thay nhanh 6 ra phía sau, giữ nguyên ở vị trí này và kéo mâm cặp thay nhanh SDS-plus 2 hay mâm cặp thay nhanh loại không cần chia 1 ra phía trước.

Sau khi tháo ra, hãy bảo vệ cho mâm cặp thay ra không bị bẩn.

Lắp Mâm Cặp Thay Nhanh (xem hình E)

Trước khi lắp vào, lau sạch mâm cặp thay nhanh và bôi một lớp mỏng dầu bôi trơn lên cán chuỗi.

Nắm mâm cặp thay nhanh SDS-plus 2 hay mâm cặp thay nhanh loại không cần chia 1 hoàn toàn bằng tay của bạn. Ráp mâm cặp thay nhanh vào bằng động tác xoay lên trên miệng ống lắp mâm cặp khoan 18 cho đến khi nghe thấy rõ tiếng động vào khớp.

Mâm cặp thay nhanh tự động khóa lại. Kiểm tra hiệu quả khóa bằng cách kéo thử mâm cặp thay nhanh.

Thay dụng cụ

Chụp ngăn bụi 4 hầu như ngăn cản toàn bộ bụi khoan vào trong phần lắp dụng cụ trong lúc vận hành. Khi lắp dụng cụ vào, bảo đảm rằng chụp ngăn bụi 4 không bị làm hư hỏng.

▶ **Chụp ngăn bụi bị hư hỏng phải được thay ra ngay lập tức. Chúng tôi khuyến nghị việc thay thế này do một đại lý phục vụ hậu mãi thực hiện.**

Lắp Dụng Cụ Khoan SDS-plus (xem hình F)

Mâm cặp khoan SDS-plus cho phép thay đổi dụng cụ khoan được đơn giản và tiện lợi mà không cần tới các dụng cụ phụ trợ khác.

GBH 2-26 DFR: Lắp mâm cặp khoan thay nhanh SDS-plus 2.

Làm sạch và thoa một lớp mỏng dầu bôi trơn lên chuỗi của dụng cụ.

Lắp dụng cụ vào bằng cách xoay vận dụng cụ vào ổ lắp dụng cụ cho đến khi tự ăn vào khớp.

Kiểm tra xem đã cài chắc chưa bằng cách kéo thử dụng cụ ra.

Theo như yêu cầu của hệ thống, dụng cụ khoan SDS-plus có thể chuyển động tự do. Điều này tạo ra sự đảo tảo tròn khi chạy không tải ở một mức nào đó, việc này không làm ảnh hưởng đến độ chính xác của lỗ khoan, vì mũi khoan định tâm của chính nó trong khi khoan.

Thay Dụng Cụ Khoan SDS-plus Ra (xem hình G)

Đẩy vòng khóa xuống 5 và lấy dụng cụ ra.

Lắp Dụng Cụ Khoan Không Phải Loại SDS-plus (GBH 2-26 E/RE/DE/DRE)

Ghi Chú: Không sử dụng dụng cụ không phải loại SDS-plus để khoan hay đục có động tác búa! Khoan hay đục có động tác búa làm hỏng dụng cụ không phải loại SDS-plus và mâm cặp của chúng.

Lắp mâm cặp khoan loại dùng chìa 16 (xem “Thay Mâm Cặp Khoan Loại Dùng Chìa Vận”, trang 53).

Mở mâm cặp khoan dùng chìa 16 bằng cách vận cho đến khi dụng cụ có thể lắp vào được. Lắp dụng cụ vào.

Tra chìa vận mâm cặp vào trong các lỗ tương ứng của mâm cặp khoan loại dùng chìa 16 và siết đều các lỗ để kẹp chặt dụng cụ lại.

Vận gạt chọn phương thức hoạt động 11 về “vị trí” Khoan.

Thay Dụng Cụ Khoan Không Phải Loại SDS-plus Ra (GBH 2-26 E/RE/DE/DRE)

Vận vòng xoay của mâm cặp khoan loại dùng chìa 16 bằng chìa vận mâm cặp khoan theo ngược chiều đồng hồ cho đến khi có thể tháo dụng cụ khoan ra.

Lắp Dụng Cụ Khoan Không Phải Loại SDS-plus (GBH 2-26 DFR) (xem hình H)

Ghi Chú: Không sử dụng dụng cụ không phải loại SDS-plus để khoan hay đục có động tác búa! Khoan hay đục có động tác búa làm hỏng dụng cụ không phải loại SDS-plus và mâm cặp của chúng.

Lắp mâm cặp loại không cần chìa thay nhanh 1.

Giữ chặt vành cố định 20 của mâm cặp thay nhanh.

Mở phần lắp dụng cụ bằng cách vận vòng xoay ngoài 19 cho đến khi có thể lắp dụng cụ vào. Giữ thật chặt vành cố định 20 và vận chặt vòng xoay ngoài 19 theo chiều mũi tên cho đến khi nghe thật rõ tiếng động ăn vào khớp.

Kiểm tra xem đã vào chắc chưa bằng cách kéo thử dụng cụ ra.

Ghi Chú: Nếu phần lắp dụng cụ vẫn mở khi đã vận hết, vậy có thể nghe thấy tiếng ăn vào khớp trong khi đóng phần lắp dụng cụ lại và phần lắp dụng cụ sẽ không cặp lại.

Trong trường hợp này, vận vòng xoay ngoài 19 theo chiều ngược chiều mũi tên thêm một lần nữa. Sau cùng, phần lắp dụng cụ có thể đóng lại (cặp chặt) như trước.

Vận gạt chọn phương thức hoạt động 11 về “vị trí” Khoan.

Thay Dụng Cụ Khoan Không Phải Loại SDS-plus Ra (GBH 2-26 DFR) (xem hình I)

Giữ chặt vành cố định 20 của mâm cặp thay nhanh.

Mở phần lắp dụng cụ bằng cách vận vòng xoay ngoài 19 theo chiều của mũi tên cho đến khi có thể tháo dụng cụ ra.

Hút Bụi Với Phụ Kiện Gá Lắp Hút Bụi (phụ tùng)

Lắp Phụ Kiện Gá lắp hút bụi (xem hình J)

Để hút bụi, cần phải có phụ kiện gá lắp hút bụi (phụ kiện). Khi khoan, phụ kiện gá lắp hút bụi thu lại vì thế đầu của phần gá lắp luôn luôn kề sát với bề mặt lỗ khoan.

Nhấn nút để chỉnh đặt đưa định độ sâu 12 và lấy đưa định độ sâu ra 13. Nhấn nút 12 lần nữa và lắp phụ kiện gá lắp hút bụi vào trong tay nắm phụ 14 từ phía trước vào.

Nối vòi hút mềm (đường kính 19 mm, phụ kiện) vào ống hút **21** của phụ kiện gá lắp hút bụi.

Máy hút bụi phải thích hợp dành cho loại vật liệu đang gia công.

Khi hút bụi khô loại đặc biệt gây nguy hại đến sức khỏe hoặc gây ra ung thư, hãy sử dụng máy hút bụi loại chuyên dụng.

Điều chỉnh Độ Sâu Khoan Trên Phụ Kiện Gá Lắp Hút Bụi (xem hình K)

Ta cũng có thể điều chỉnh được độ sâu khoan **X** theo yêu cầu khi đã lắp phụ kiện gá lắp hút bụi vào.

Lắp dụng cụ khoan SDS-plus vào hết trong phần lắp dụng cụ SDS-plus **3**. Nếu không, sự chuyển dịch của dụng cụ khoan SDS-plus có thể dẫn đến sự điều chỉnh sai độ sâu khoan.

Nới lỏng vít tai hồng **25** trên phụ kiện gá lắp hút bụi.

Không mở máy dụng cụ điện lên, ấn mạnh xuống ngay vị trí khoan. Dụng cụ khoan SDS-plus phải áp mặt lên trên bề mặt.

Bố trí ống dẫn hướng **26** của phụ kiện gá lắp hút bụi vào trong khung đỡ cố định vị trí ở vào tư thế sao cho đầu của phụ kiện gá lắp hút bụi áp mặt lên trên bề mặt chỗ khoan. Không được đẩy ống dẫn hướng **26** vào sâu trong ống lồng **24** của phụ kiện gá lắp hút bụi nhiều hơn là cần thiết, hạn chế tối đa thước **24** nằm trên ống lồng bị khuất để vẫn có thể nhìn thấy được.

Siết chặt vít tai hồng lại **25** như cũ. Nới lỏng vít bắt cố định **22** trên cỡ định độ sâu nằm trên phụ kiện gá lắp hút bụi.

Di chuyển cỡ định độ sâu **23** trên ống lồng **24** theo cách sao cho khoảng hở **X** hiển thị bằng con số tương ứng với độ sâu khoan như yêu cầu.

Siết chặt vít bắt cố định lại **22** tại vị trí này.

Vận hành

Bắt đầu vận hành

► **Tuân thủ theo đúng điện thế! Điện thế nguồn phải đúng với điện thế đã ghi rõ trên nhãn máy.**

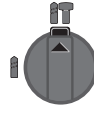
Chỉnh Đặt Chế Độ Hoạt Động

Sự hoạt động theo phương thức của dụng cụ điện được chọn bằng gạt chọn phương thức hoạt động **11**.

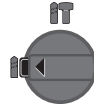
Ghi Chú: Thay đổi phương thức hoạt động chỉ khi đã tắt máy! Nếu không, có thể làm cho máy bị hư hỏng.

Để thay đổi phương thức hoạt động, nhấn nút nhả **10** và gạt chọn phương thức hoạt động **11** về vị trí theo yêu cầu cho đến khi nghe tiếng ăn vào khớp.

GBH 2-26 E/RE



Vị trí để **khoan với động tác búa** vào bê tông hay đá



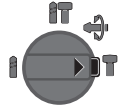
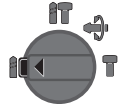
Vị trí để **khoan** không có động tác búa vào gỗ, kim loại, đồ gốm và nhựa mũ cũng như để bắt vít và cắt ren

Vị trí **Khóa Thay Đổi Vị Trí** để điều chỉnh vị trí đục

Gạt chọn phương thức hoạt động **11** không ăn khớp ở vị trí này.

Vị trí để **đục**

GBH 2-26 DE/DRE/DFR



Đảo Chiều Quay (GBH 2-26 RE/DRE/DFR)

Gạt chuyển đổi chiều quay **7** được sử dụng để đảo lại chiều quay của máy. Tuy nhiên, việc này không thể thực hiện được cùng lúc với công tắc Tắt/Mở **9** đang hoạt động.

↻ **Quay Phải:** Vận gạt chọn phương thức hoạt động để khoan thường/khoan búa **7** về hết một trong hai bên ở vị trí này ◀.

↻ **Quay Trái:** Vận gạt chọn phương thức hoạt động để khoan thường/khoan búa **7** về hết một trong hai bên ở vị trí này ▶.

Luôn luôn chỉnh đặt chiều quay để khoan búa, khoan thường và đục về chiều quay phải.

Bật Mở và Tắt

Để **mở** máy, nhấn công tắc Tắt/Mở **9**.

Để **khóa** công tắc Tắt/Mở, giữ nhấn và nhấn thêm nút khóa tự-chạy **8**.

Để **tắt** máy, nhả công tắc Tắt/Mở **9**. Khi công tắc Tắt/Mở **9** đã được khóa, trước hết nhấn vào và sau đó nhả ra.

Chỉnh đặt Tốc độ/Tần suất Đập

Có thể điều chỉnh thay đổi tốc độ/tần suất đập của dụng cụ điện đang hoạt động, tùy theo mức độ công tắc Tắt/Mở **9** được bóp vào.

Lực áp nhẹ lên công tắc Tắt/Mở **9** tạo ra tốc độ thấp/tần suất đập thưa. Lực áp mạnh hơn lên công tắc làm tăng tốc độ và tần suất đập.

Khởi ly hợp chống quá tải

- ▶ Nếu dụng cụ lắp trong máy bị kẹt hay kẹt, lực truyền động đến trục khoan bị ngăn lại. Do vậy tạo ra lực tác động, luôn luôn giữ dụng cụ điện cầm tay bằng cả hai tay thật chắc và tạo tư thế bản thân cho vững chãi.
- ▶ Nếu dụng cụ điện cầm tay bị kẹt, tắt máy và làm rời dụng cụ lắp trong máy ra. Khi bật máy lên mà dụng cụ khoan còn đang bị kẹt, lực vận hành có thể xảy ra.

Hướng dẫn sử dụng

Thay Đổi Vị Trí Đục (Khóa nhiều vị trí) (GBH 2-26 DE/DRE/DFR)

Mũi đục có thể được khóa 36 ở nhiều vị trí khác nhau. Nhờ như vậy, ta có thể tạo tư thế thao tác tốt nhất cho từng ứng dụng.

Lắp mũi đục vào trong ổ lắp dụng cụ.

Vận gạc chọn phương thức hoạt động 11 về "vị trí Khóa Thay Đổi Vị Trí" (xem "Chính Đặt Chế Độ Hoạt Động", trang 55).

Vận miêng lắp dụng cụ về vị trí đục muốn đặt.

Vận gạc chọn phương thức hoạt động 11 về vị trí đục. Phần lắp dụng cụ được khóa lại ngay lúc này.

Để đục, chỉnh đặt chiều quay về chiều quay phải.

Lắp Đầu Gài Vận Vít (xem hình L)

- ▶ **Tra dụng cụ điện cầm tay vào vít/đai ốc chỉ khi đã tắt công tắc.** Dụng cụ gắn trong máy đang xoay có thể trượt ra ngoài.

Để vận hành với đầu gài vận vít, cần sử dụng phần lắp đầu gài phổ thông 27 có chuỗi SDS-plus (phụ kiện).

Làm sạch cán chuỗi của chuỗi tiếp hợp và bôi một lớp mỏng dầu bôi trơn lên.

Lắp phần lắp đầu gài phổ thông bằng động tác xoay vào trong phần lắp dụng cụ cho đến khi được tự động khóa lại.

Kiểm tra hiệu quả khóa bằng cách kéo thử phần lắp đầu gài phổ thông ra.

Lắp đầu gài vận vít vào trong phần lắp đầu gài phổ thông. Chỉ sử dụng đầu gài vận vít vừa với đầu vít.

Tháo phần lắp đầu gài phổ thông, kéo vòng khóa 5 về phía sau và tháo phần lắp đầu gài phổ thông 27 ra khỏi phần lắp dụng cụ.

Bảo dưỡng và bảo quản

Bảo dưỡng và làm sạch

- ▶ Trước khi tiến hành bất cứ việc gì trên máy, kéo phích cắm chính ra.
- ▶ Để được an toàn và máy hoạt động đúng chức năng, luôn luôn giữ máy và các khe thông gió được sạch.
- ▶ Chụp ngăn bụi bị hư hỏng phải được thay ra ngay lập tức. Chúng tôi khuyến nghị việc thay thế này do một đại lý phục vụ hậu mãi thực hiện.

Làm sạch phần lắp dụng cụ 3 sau mỗi lần sử dụng xong.

Nếu giả như máy bị trục trặc dù đã được theo dõi cẩn thận trong quá trình sản xuất và đã qua chạy kiểm tra, sự sửa chữa phải do trung tâm bảo hành-bảo trì dụng cụ điện cầm tay Bosch thực hiện.

Trong mọi thư từ giao dịch và đơn đặt hàng phụ tùng, xin vui lòng luôn viết đủ 10 con số đã được ghi trên nhãn máy.

Hậu mãi và hỗ trợ khách hàng

Biểu đồ tương quan và thông tin về phụ tùng có thể tra cứu theo dưới đây:

www.bosch-pt.com

Trung Tâm Thương Mại Sài Gòn

37 Tôn Đức Thắng

P. Bến Nghé

Q.1

Tp. HCM

Việt Nam

☎ +84 8 9 11 13 74 – 9 11 13 75

Fax +84 8 9 11 13 76

Thải bỏ

Máy, linh kiện và bao bì phải được phân loại để tái chế theo hướng thân thiện với môi trường.

Được quyền thay đổi nội dung mà không phải thông báo trước.

Indications générales de sécurité pour outils électroportatifs

⚠ AVERTISSEMENT Lire tous les avertissements de sécurité et toutes les instructions. Ne pas suivre les avertissements et instructions peut donner lieu à un choc électrique, un incendie et/ou une blessure sérieuse.

Conserver tous les avertissements et toutes les instructions pour pouvoir s'y reporter ultérieurement.

Le terme «outil» dans les avertissements fait référence à votre outil électrique alimenté par le secteur (avec cordon d'alimentation) ou votre outil fonctionnant sur batterie (sans cordon d'alimentation).

1) Sécurité de la zone de travail

- a) **Conserv**er la zone de travail propre et bien éclairée. Les zones en désordre ou sombres sont propices aux accidents.
- b) **Ne pas faire fonctionner les outils électriques en atmosphère explosive, par exemple en présence de liquides inflammables, de gaz ou de poussières.** Les outils électriques produisent des étincelles qui peuvent enflammer les poussières ou les fumées.
- c) **Maintenir les enfants et les personnes présentes à l'écart pendant l'utilisation de l'outil.** Les distractions peuvent vous faire perdre le contrôle de l'outil.

2) Sécurité électrique

- a) **I faut que les fiches de l'outil électrique soient adaptées au socle. Ne jamais modifier la fiche de quelque façon que ce soit. Ne pas utiliser d'adaptateurs avec des outils à branchement de terre.** Des fiches non modifiées et des socles adaptés réduiront le risque de choc électrique.
- b) **Eviter tout contact du corps avec des surfaces reliées à la terre telles que les tuyaux, les radiateurs, les cuisinières et les réfrigérateurs.** Il existe un risque accru de choc électrique si votre corps est relié à la terre.
- c) **Ne pas exposer les outils à la pluie ou à des conditions humides.** La pénétration d'eau à l'intérieur d'un outil augmentera le risque de choc électrique.
- d) **Ne pas maltraiter le cordon. Ne jamais utiliser le cordon pour porter, tirer ou débrancher l'outil. Maintenir le cordon à l'écart de la chaleur, du lubrifiant, des arêtes ou des parties en mouvement.** Les cordons endommagés ou emmêlés augmentent le risque de choc électrique.

- e) **Lorsqu'on utilise un outil à l'extérieur, utiliser un prolongateur adapté à l'utilisation extérieure.** L'utilisation d'un cordon adapté à l'utilisation extérieure réduit le risque de choc électrique.
- f) **Si l'usage d'un outil dans un emplacement humide est inévitable, utiliser une alimentation protégée par un dispositif à courant différentiel résiduel (RCD).** L'usage d'un RCD réduit le risque de choc électrique.

3) Sécurité des personnes

- a) **Rester vigilant, regarder ce que vous êtes en train de faire et faire preuve de bon sens dans votre utilisation de l'outil. Ne pas utiliser un outil lorsque vous êtes fatigué ou sous l'emprise de drogues, d'alcool ou de médicaments.** Un moment d'inattention en cours d'utilisation d'un outil peut entraîner des blessures graves des personnes.
- b) **Utiliser un équipement de sécurité. Toujours porter une protection pour les yeux.** Les équipements de sécurité tels que les masques contre les poussières, les chaussures de sécurité antidérapantes, les casques ou les protections acoustiques utilisés pour les conditions appropriées réduiront les blessures de personnes.
- c) **Eviter tout démarrage intempestif. S'assurer que l'interrupteur est en position arrêt avant de brancher l'outil au secteur et/ou au bloc de batteries, de le ramasser ou de le porter.** Porter les outils en ayant le doigt sur l'interrupteur ou brancher des outils dont l'interrupteur est en position marche est source d'accidents.
- d) **Retirer toute clé de réglage avant de mettre l'outil en marche.** Une clé laissée fixée sur une partie tournante de l'outil peut donner lieu à des blessures de personnes.
- e) **Ne pas se précipiter. Garder une position et un équilibre adaptés à tout moment.** Cela permet un meilleur contrôle de l'outil dans des situations inattendues.
- f) **S'habiller de manière adaptée. Ne pas porter de vêtements amples ou de bijoux. Garder les cheveux, les vêtements et les gants à distance des parties en mouvement.** Des vêtements amples, des bijoux ou les cheveux longs peuvent être pris dans des parties en mouvement.
- g) **Si des dispositifs sont fournis pour le raccordement d'équipements pour l'extraction et la récupération des poussières, s'assurer qu'ils sont connectés et correctement utilisés.** Utiliser des collecteurs de poussière peut réduire les risques dus aux poussières.

4) Utilisation et entretien de l'outil

- a) **Ne pas forcer l'outil. Utiliser l'outil adapté à votre application.** L'outil adapté réalisera mieux le travail et de manière plus sûre au régime pour lequel il a été construit.
 - b) **Ne pas utiliser l'outil si l'interrupteur ne permet pas de passer de l'état de marche à arrêt et vice versa.** Tout outil qui ne peut pas être commandé par l'interrupteur est dangereux et il faut le réparer.
 - c) **Débrancher la fiche de la source d'alimentation en courant et/ou le bloc de batteries de l'outil avant tout réglage, changement d'accessoires ou avant de ranger l'outil.** De telles mesures de sécurité préventives réduisent le risque de démarrage accidentel de l'outil.
 - d) **Conserver les outils à l'arrêt hors de la portée des enfants et ne pas permettre à des personnes ne connaissant pas l'outil ou les présentes instructions de le faire fonctionner.** Les outils électroportatifs sont dangereux lorsqu'ils sont utilisés par des personnes non initiées.
 - e) **Observer la maintenance de l'outil. Vérifier qu'il n'y a pas de mauvais alignement ou de blocage des parties mobiles, des pièces cassées ou toute autre condition pouvant affecter le fonctionnement de l'outil. En cas de dommages, faire réparer l'outil avant de l'utiliser.** De nombreux accidents sont dus à des outils mal entretenus.
 - f) **Garder affûtés et propres les outils permettant de couper.** Des outils destinés à couper correctement entretenus avec des pièces coupantes tranchantes sont moins susceptibles de bloquer et sont plus faciles à contrôler.
 - g) **Utiliser l'outil, les accessoires et les lames etc., conformément à ces instructions, en tenant compte des conditions de travail et du travail à réaliser.** L'utilisation de l'outil pour des opérations différentes de celles prévues pourrait donner lieu à des situations dangereuses.
- 5) **Travaux d'entretien**
- a) **Ne faire réparer l'outil électroportatif que par un personnel qualifié et seulement avec des pièces de rechange d'origine.** Ceci permet d'assurer la sécurité de l'appareil.

Instructions de sécurité spécifiques à l'appareil

- ▶ **Porter une protection acoustique.** Une forte exposition au bruit peut provoquer une perte d'audition.
- ▶ **Utiliser les poignées supplémentaires fournies avec l'outil électroportatif.** Le fait de perdre le contrôle de l'appareil électroportatif peut entraîner de blessures.
- ▶ **Utiliser des détecteurs appropriés afin de déceler des conduites cachées ou consulter les entreprises d'approvisionnement locales.** Un contact avec des lignes électriques peut provoquer un incendie ou un choc électrique. Un endommagement d'une conduite de gaz peut provoquer une explosion. La perforation d'une conduite d'eau provoque des dégâts matériels et peut provoquer un choc électrique.
- ▶ **Toujours bien tenir l'outil électroportatif des deux mains et veiller à toujours garder une position de travail stable.** Avec les deux mains, l'outil électroportatif est guidé de manière plus sûre.
- ▶ **Bloquer la pièce à travailler.** Une pièce à travailler serrée par des dispositifs de serrage ou dans un étau est fixée de manière plus sûre que tenue dans les mains.
- ▶ **Ne pas travailler de matériaux contenant de l'amiante.** L'amiante est considérée comme étant cancérigène.
- ▶ **Prendre des mesures de sécurité, lorsque des poussières nuisibles à la santé, inflammables ou explosives peuvent être générées lors du travail.** Par exemple : Certaines poussières sont considérées comme étant cancérigènes. Porter un masque anti-poussières et utiliser un dispositif d'aspiration de poussières/de copeaux s'il est possible de raccorder un tel dispositif.
- ▶ **Tenir propre la place de travail.** Les mélanges de matériaux sont particulièrement dangereux. Les poussières de métaux légers peuvent être explosives ou inflammables.
- ▶ **Avant de déposer l'outil électroportatif, attendre que celui-ci soit complètement à l'arrêt.** L'outil risque de se coincer, ce qui entraîne une perte de contrôle de l'outil électroportatif.
- ▶ **Ne jamais utiliser un outil électroportatif dont le câble est endommagé. Ne pas toucher à un câble endommagé et retirer la fiche du câble d'alimentation de la prise du courant, au cas où le câble serait endommagé lors du travail.** Un câble endommagé augmente le risque d'un choc électrique.

Description du fonctionnement



Lire tous les avertissements et indications. Le non-respect des avertissements et instructions indiqués ci-après peut entraîner un choc électrique, un incendie et/ou de graves blessures sur les personnes.

Déplier le volet sur lequel l'appareil est représenté de manière graphique. Laisser le volet déplié pendant la lecture de la présente notice d'utilisation.

Utilisation conforme

GBH 2-26 E/RE

Cet outil électroportatif est destiné au perçage en frappe dans le béton, la brique et dans la pierre naturelle. Il est également tout à fait approprié au perçage sans frappe du bois, du métal, de la céramique ou de matières plastiques. Les outils électroportatifs disposant d'un réglage électronique et d'un commutateur de sens de rotation sont également appropriés au vissage et au taraudage.

GBH 2-26 DE/DRE/DFR

Cet outil électroportatif est destiné au perçage en frappe dans le béton, la brique et dans la pierre naturelle ainsi qu'à des travaux de ciselage légers. Il est également tout à fait approprié au perçage sans frappe du bois, du métal, de la céramique ou de matières plastiques. Les outils électroportatifs disposant d'un réglage électronique et d'un commutateur de sens de rotation sont également appropriés au vissage et au taraudage.

Caractéristiques techniques

Marteau perforateur GBH ... Professional		2-26 E	2-26 RE	2-26 DE	2-26 DRE	2-26 DFR
N° d'article		0 611 251 6..	0 611 251 7..	0 611 253 6..	0 611 253 7..	0 611 254 7..
Réglage de la vitesse de rotation		●	●	●	●	●
Stop de rotation		–	–	●	●	●
Rotation à droite/à gauche		–	●	–	●	●
Mandrin interchangeable		–	–	–	–	●
Puissance absorbée nominale	W	800	800	800	800	800
Fréquence de frappe à la vitesse de rotation nominale	tr/min	0–4000	0–4000	0–4000	0–4000	0–4000
Puissance de frappe individuelle	J	0–3,0	0–3,0	0–3,0	0–3,0	0–3,0
Vitesse de rotation nominale	tr/min	0–900	0–900	0–900	0–900	0–900
Porte-outil		SDS-plus	SDS-plus	SDS-plus	SDS-plus	SDS-plus
Diamètre du col de la broche	mm	50	50	50	50	50
Diamètre max. de perçage :						
– Béton	mm	26	26	26	26	26
– Maçonnerie (avec couronne de mèche creuse)	mm	68	68	68	68	68
– Acier	mm	13	13	13	13	13
– Bois	mm	30	30	30	30	30
Poids suivant EPTA-Procédure 01/2003	kg	2,7	2,7	2,7	2,7	2,9
Classe de protection		□ / II	□ / II	□ / II	□ / II	□ / II

Ces indications sont valables pour des tensions nominales de [U] 230/240 V. Ces indications peuvent varier pour des tensions plus basses ainsi que pour des versions spécifiques à certains pays.

Respectez impérativement le numéro d'article se trouvant sur la plaque signalétique de l'outil électroportatif. Les désignations commerciales des différents outils électroportatifs peuvent varier.

Eléments de l'appareil

La numérotation des éléments de l'appareil se réfère à la représentation de l'outil électroportatif sur la page graphique.

- 1 Mandrin à serrage rapide (GBH 2-26 DFR)
- 2 Mandrin interchangeable SDS-plus (GBH 2-26 DFR)
- 3 Porte-outil SDS-plus
- 4 Capuchon anti-poussière
- 5 Douille de verrouillage
- 6 Bague de verrouillage du mandrin interchangeable (GBH 2-26 DFR)
- 7 Commutateur du sens de rotation (GBH 2-26 RE/DRE/DFR)
- 8 Bouton de blocage pour l'interrupteur Marche/Arrêt
- 9 Interrupteur Marche/Arrêt
- 10 Touche de déverrouillage pour le stop de rotation/ de frappe
- 11 Stop de rotation/de frappe
- 12 Touche pour réglage de la butée de profondeur
- 13 Butée de profondeur
- 14 Poignée supplémentaire
- 15 Vis de blocage du mandrin à couronne dentée*
- 16 Mandrin à couronne dentée*
- 17 Dispositif de fixation SDS-plus pour mandrin porte-foret*
- 18 Fixation du mandrin de perçage (GBH 2-26 DFR)
- 19 Douille de devant du mandrin à serrage rapide (GBH 2-26 DFR)
- 20 Anneau de retenue du mandrin à serrage rapide (GBH 2-26 DFR)
- 21 Ouverture d'aspiration Saugfix*
- 22 Borne à vis Saugfix*
- 23 Butée de profondeur Saugfix*
- 24 Tube télescopique Saugfix*
- 25 Vis papillon Saugfix*
- 26 Tuyau de guidage Saugfix*
- 27 Porte-outil universel avec dispositif de fixation SDS-plus*

*Les accessoires décrits ou montrés ne sont pas compris dans l'emballage standard.

Montage

- ▶ **Avant d'effectuer des travaux sur l'outil électroportatif, retirer la fiche de la prise de courant.**

Poignée supplémentaire

- ▶ **N'utiliser l'appareil électroportatif qu'avec la poignée supplémentaire 14.**

Faire basculer la poignée supplémentaire (voir figure A)

La poignée supplémentaire **14** peut être basculer dans n'importe quelle position, afin d'obtenir une position de travail sûre et peut fatigante.

Tourner la pièce inférieure de la poignée supplémentaire **14** dans le sens inverse des aiguilles d'une montre et orienter la poignée supplémentaire **14** vers la position souhaitée. Ensuite, resserrer la pièce inférieure de la poignée supplémentaire **14** en la tournant dans le sens des aiguilles d'une montre.

Veiller à ce que la bande de serrage de la poignée supplémentaire se trouve bien dans la rainure du carter prévue à cet effet.

Réglage de la profondeur de perçage (voir figure B)

Avec la butée de profondeur **13** la profondeur de perçage souhaitée **X** peut être déterminée.

Appuyer sur la touche pour le réglage de la butée de profondeur **12** et placer la butée de profondeur dans la poignée supplémentaire **14**.

Le striage de la butée de profondeur **13** doit être orienté vers le bas.

Poussez à fond l'outil de travail SDS-plus dans le porte-outil SDS-plus **3**. Sinon, la mobilité de l'outil SDS-plus pourrait conduire à un réglage erroné de la profondeur de perçage.

Sortir la butée de profondeur jusqu'à ce que la distance entre la pointe du foret et la pointe de la butée de profondeur corresponde à la profondeur de perçage souhaitée **X**.

Choisir mandrin porte-foret et outils

Pour le perçage en frappe et le ciselage, des outils SDS-plus sont nécessaires qui sont mis en place dans le porte-foret SDS-plus.

Pour le perçage sans frappe du bois, du métal, de la céramique ou de matières plastiques ainsi que pour le vissage et le taraudage sont utilisés des outils sans SDS-plus (par ex. mèches à queue cylindrique). Pour ce type d'outil, vous avez besoin d'un mandrin à serrage rapide ou d'un mandrin à couronne dentée.

Note : N'utilisez pas d'outils sans SDS-plus pour le perçage en frappe ou le ciselage ! Les outils sans SDS-plus et leurs mandrins seront endommagés lors du perçage en frappe ou du ciselage.

GBH 2-26 DFR: Le mandrin interchangeable SDS-plus **2** peut facilement être remplacé par le mandrin interchangeable à serrage rapide **1** fourni avec l'appareil.

Changer de mandrin à couronne dentée (GBH 2-26 E/RE/DE/DRE)

Afin de pouvoir travailler avec des outils sans SDS-plus (par ex. mèches à queue cylindrique), vous devez monter un mandrin porte-foret approprié (mandrin à couronne dentée ou de serrage rapide, accessoires).

Monter un mandrin à couronne dentée (voir figure C)

Vissez le dispositif de fixation SDS-plus **17** dans un mandrin à couronne dentée **16**. Fixez le mandrin à couronne dentée **16** au moyen de la vis de fixation **15**. **Attention, la vis de fixation a un filet à gauche.**

Insérer un mandrin à couronne dentée (voir figure C)

Nettoyez l'emmanchement du dispositif de fixation et graissez-le légèrement.

Enfoncez le mandrin à couronne dentée par le dispositif de fixation en le tournant dans le porte-outil jusqu'à ce qu'il verrouille automatiquement.

Contrôlez qu'il est bien verrouillé en tirant sur le mandrin à couronne dentée.

Retirer un mandrin à couronne dentée

Poussez la douille de verrouillage **5** vers l'arrière et retirez le mandrin à couronne dentée **16**.

Enlever/mettre en place le mandrin interchangeable (GBH 2-26 DFR)

Enlever le mandrin interchangeable (voir figure D)

Tirez fermement la bague de verrouillage du mandrin interchangeable **6** vers l'arrière, la maintenir dans cette position et sortir le mandrin interchangeable SDS-plus **2** ou le mandrin interchangeable à serrage rapide **1** vers l'avant.

Après avoir extrait le mandrin interchangeable, évitez tout encrassement.

Mettre en place le mandrin interchangeable (voir figure E)

Avant sa mise en place, nettoyez le mandrin interchangeable et graissez légèrement l'extrémité.

Prendre le mandrin interchangeables SDS-plus **2** ou le mandrin interchangeable à serrage rapide **1** à pleine main. Engager le mandrin interchangeable dans la fixation du mandrin **18** par un léger mouvement de rotation, jusqu'à ce qu'il s'encliquette de manière audible.

Le mandrin interchangeable s'encliquette de lui-même. Contrôler que l'outil soit bien encliqueté en tirant sur le mandrin interchangeable.

Changement de l'outil

Le capuchon anti-poussière **4** empêche dans une large mesure la poussière d'entrer dans le porte-outil pendant le service de l'appareil. Lors du montage de l'outil, veiller à ne pas endommager le capuchon anti-poussière **4**.

► **Remplacer immédiatement un capuchon anti-poussière endommagé. Il est recommandé de faire effectuer ce travail par un service après-vente.**

Mettre un outil de travail SDS-plus en place (voir figure F)

Grâce au mandrin de perçage SDS-plus, il est possible de remplacer l'outil de travail facilement et confortablement sans avoir à utiliser d'outil supplémentaire.

GBH 2-26 DFR: Mettre le mandrin interchangeable SDS-plus **2** en place.

Nettoyer l'extrémité de l'outil, et le graisser légèrement.

Introduire l'outil de travail dans le porte-outil en le tournant jusqu'à ce qu'il s'encliquette automatiquement.

Contrôler que l'outil soit bien encliqueté en tirant sur l'outil.

Les outils de travail SDS-plus utilisés dans ce système ne sont pas rigidement fixés, ils peuvent être librement bougés. Ceci provoque un faux-ronde au fonctionnement à vide qui n'a cependant aucun effet sur l'exactitude du perçage puisque le foret se centre automatiquement pendant le perçage.

Retirer un outil de travail SDS-plus (voir figure G)

Pousser la douille de verrouillage **5** vers l'arrière et sortir l'outil de travail.

Mettre un outil de travail sans SDS-plus en place (GBH 2-26 E/RE/DE/DRE)

Note : N'utilisez pas d'outils sans SDS-plus pour le perçage en frappe ou le ciselage ! Les outils sans SDS-plus et leurs mandrins seront endommagés lors du perçage en frappe ou du ciselage.

Mettre un mandrin à couronne dentée **16** en place (voir « Changer de mandrin à couronne dentée », page 61).

Ouvrir le mandrin à couronne dentée **16** par un mouvement de rotation jusqu'à ce que l'outil puisse être monté. Monter l'outil.

Enfoncez la clé de mandrin dans les alésages correspondants du mandrin à couronne dentée **16** et serrez fermement l'outil de manière régulière.

Tourner le stop de rotation/de frappe **11** pour le mettre dans la position « perçage ».

Retirer un outil de travail sans SDS-plus (GBH 2-26 E/RE/DE/DRE)

Tournez la douille du mandrin à couronne dentée **16** à l'aide de la clé de mandrin dans le sens des aiguilles d'une montre jusqu'à ce que l'outil de travail puisse être retiré.

Mettre un outil de travail sans SDS-plus en place (GBH 2-26 DFR) (voir figure H)

Note : N'utilisez pas d'outils sans SDS-plus pour le perçage en frappe ou le ciselage ! Les outils sans SDS-plus et leurs mandrins seront endommagés lors du perçage en frappe ou du ciselage.

Mettez le mandrin à serrage rapide **1** en place.

Tenir fermement l'anneau de retenue du mandrin interchangeable à serrage rapide **20**. Ouvrir le porte-outil en tournant la douille avant **19** jusqu'à ce que l'outil puisse être monté. Bien tenir l'anneau de retenue **20** et tourner la douille avant **19** avec force en direction de la flèche jusqu'à ce que des grincements soient distinctement audibles.

Contrôler que l'outil soit bien fixé en tirant dessus.

Note : Si le porte-outil a été ouvert à fond, il est possible que des grincements se font entendre lorsque le porte-outil est vissé et que le porte-outil ne se ferme pas.

Dans un tel cas, tourner la douille avant **19** une fois dans le sens inverse de la flèche. Ensuite, il est possible de fermer le porte-outil.

Tourner le stop de rotation/de frappe **11** pour le mettre dans la position « perçage ».

Retirer un outil de travail sans SDS-plus (GBH 2-26 DFR) (voir figure I)

Tenir fermement l'anneau de retenue du mandrin interchangeable à serrage rapide **20**. Ouvrir le porte-outil en tournant la douille avant **19** dans le sens de la flèche jusqu'à ce que l'outil puisse en être extrait.

Aspiration des poussières avec Saugfix (accessoire)

Monter le Saugfix (voir figure J)

Pour l'aspiration des poussières, un Saugfix (accessoire) est nécessaire. Pendant le perçage, le Saugfix s'écarte automatiquement de manière à ce que la tête du Saugfix soit toujours très près de la surface usinée.

Appuyez sur la touche de réglage de la butée de profondeur **12** et retirez la butée de profondeur **13**. Appuyez à nouveau sur la touche **12** et positionnez le Saugfix par devant sur la poignée supplémentaire **14**.

Branchez un tuyau d'aspiration (diamètre 19 mm, accessoire) à la bouche d'aspiration **21** du Saugfix.

L'aspirateur doit être approprié au matériau à travailler. Pour l'aspiration de poussières particulièrement nuisibles à la santé, cancérigènes ou sèches, utiliser des aspirateurs spéciaux.

Régler la profondeur de perçage sur le Saugfix (voir figure K)

Vous pouvez aussi régler la profondeur de perçage **X** quand le Saugfix est déjà monté.

Poussez à fond l'outil de travail SDS-plus dans le porte-outil SDS-plus **3**. Sinon, la mobilité de l'outil SDS-plus pourrait conduire à un réglage erroné de la profondeur de perçage.

Dévissez la vis papillon **25** du Saugfix.

Appuyez fermement l'outil électroportatif éteint sur le point à percer. L'outil de travail SDS-plus doit toucher la surface.

Poussez le tuyau de guidage **26** du Saugfix dans sa fixation de manière à ce que la tête du Saugfix soit posée sur la surface à percer. Ne poussez pas le tuyau de guidage **26** plus que nécessaire par dessus le tube télescopique **24**, de manière à ce que la plus grande partie possible de la graduation sur le tube télescopique **24** reste visible.

Resserrer fermement la vis papillon **25**. Dévissez la borne à vis **22** de la butée de profondeur du Saugfix.

Poussez la butée de profondeur **23** sur le tube télescopique **24** de manière à ce que l'écart **X** montré sur la figure corresponde à la profondeur de perçage souhaitée.

Resserrer fermement la borne à vis **22** dans cette position.

Mise en marche

Mise en service

► **Tenir compte de la tension du réseau ! La tension de la source de courant doit coïncider avec les indications se trouvant sur la plaque signalétique de l'outil électroportatif.**

Régler le mode de service

Au moyen du stop de rotation/de frappe **11**, sélectionner le mode d'exploitation souhaité de l'outil électroportatif.

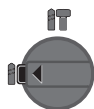
Note : Ne changez le mode d'exploitation que quand l'outil électroportatif est éteint ! Sinon, l'outil électroportatif pourrait être endommagé.

Pour changer de mode d'exploitation, appuyer sur la touche de déverrouillage **10** et tourner le stop de rotation/de frappe **11** dans la position souhaitée jusqu'à ce qu'il s'encliquette de façon perceptible.

GBH 2-26 E/RE



Position pour le **perçage en frappe** dans le béton et dans la pierre naturelle



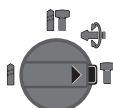
Position pour le **perçage** sans frappe du bois, du métal, de la céramique ou de matières plastiques ainsi que pour le vissage et le taraudage

Position **Vario-Lock** pour le réglage de la position du burin

Dans cette position, le stop de rotation/de frappe **11** ne s'encliquette pas.

Position pour le **ciselage**

GBH 2-26 DE/DRE/DFR



Accouplement de surcharge

- ▶ Dès que l'outil de travail se coince ou qu'il s'accroche, l'entraînement de la broche de perçage est interrompu. En raison des forces pouvant en résulter, toujours bien tenir l'outil électroportatif des deux mains et veiller à garder une position stable et équilibrée.
- ▶ Arrêter immédiatement l'appareil électroportatif et débloquer l'outil de travail lorsque l'appareil électroportatif coince. Lorsqu'on met l'appareil en marche, l'outil de travail étant bloqué, il peut y avoir de fortes réactions.

Instructions d'utilisation

Modification de la position du burin (Vario-Lock) (GBH 2-26 DE/DRE/DFR)

Il est possible d'arrêter le burin dans 36 positions. Ceci permet de se mettre dans la position de travail optimale souhaitée.

Monter le burin dans le porte-outil.

Tourner le stop de rotation/de frappe **11** pour le mettre dans la position « Vario-Lock » (voir « Régler le mode de service », page 62).

Tourner le porte-outil dans la position du burin souhaitée.

Tourner le stop de rotation/de frappe **11** pour le mettre dans la position « ciselage ». Le porte-outil est ainsi arrêté.

Mettez le sens de rotation sur la droite pour le ciselage.

Mettre des embouts de vissage en place (voir figure L)

- ▶ Poser l'outil électroportatif sur la vis/sur l'écrou seulement lorsque l'appareil est éteint.

Les outils de travail en rotation peuvent glisser.

Pour pouvoir utiliser des embouts de vissage, vous avez besoin d'un porte-outil universel **27** avec dispositif de fixation SDS-plus (accessoire).

Nettoyez l'emmanchement du dispositif de fixation et graissez-le légèrement.

Enfoncez le porte-outil universel en le tournant dans le porte-outil jusqu'à ce qu'il verrouille automatiquement.


Contrôlez qu'il est bien verrouillé en tirant sur le porte-outil universel.


Mettez un embout de vissage dans le porte-outil universel. N'utilisez que des embouts de vissage appropriés à la tête de vis que vous voulez utiliser.

Pour enlever le porte-outil universel, poussez la douille de verrouillage **5** vers l'arrière et sortez le porte-outil universel **27** du porte-outil.

Régler le sens de rotation (GBH 2-26 RE/DRE/DFR)

Avec le commutateur de sens de rotation **7** le sens de rotation de l'outil électroportatif peut être inversé. Ceci n'est cependant pas possible, quand l'interrupteur Marche/Arrêt **9** est appuyé.

🌀 **Rotation à droite** : Tourner le commutateur du sens de rotation **7** jusqu'à butée en position .

🌀 **Rotation à gauche** : Tourner le commutateur du sens de rotation **7** jusqu'à butée en position .

Mettez toujours le sens de rotation sur la droite pour le perçage en frappe, le perçage et le ciselage.

Mise en Marche/Arrêt

Pour **mettre en fonctionnement** l'outil électroportatif, appuyer sur l'interrupteur Marche/Arrêt **9**.

Pour **bloquer** l'interrupteur Marche/Arrêt, maintenir celui-ci appuyé et appuyer en même temps sur la touche de blocage **8**.

Pour **arrêter** l'outil électroportatif, relâcher l'interrupteur Marche/Arrêt **9**. Quand l'interrupteur Marche/Arrêt **9** est bloqué, appuyer d'abord sur l'interrupteur Marche/Arrêt, et le relâcher ensuite.

Réglage de la vitesse de rotation/ de la fréquence de frappe

Vous pouvez régler en continu le nombre de tours/de coups pendant que l'outil électroportatif est en marche, en appuyant plus ou moins sur l'interrupteur de Marche/Arrêt **9**.

Une légère pression sur l'interrupteur Marche/Arrêt **9** entraîne un vitesse de rotation/une fréquence de frappe basse. Plus la pression augmente, plus la vitesse de rotation/la fréquence de frappe est élevée.

Entretien et service après-vente

Nettoyage et entretien

- ▶ **Avant d'effectuer des travaux sur l'outil électroportatif, retirer la fiche de la prise de courant.**
- ▶ **Toujours tenir propres l'outil électroportatif ainsi que les ouïes de ventilation afin d'obtenir un travail impeccable et sûr.**
- ▶ **Remplacer immédiatement un capuchon anti-poussière endommagé. Il est recommandé de faire effectuer ce travail par un service après-vente.**

Nettoyer le porte-outil **3** après chaque utilisation.

Si, malgré tous les soins apportés à la fabrication et au contrôle de l'appareil, celui-ci devait avoir un défaut, la réparation ne doit être confiée qu'à une station de service après-vente agréée pour outillage Bosch.

Pour toute demande de renseignement ou commande de pièces de rechange, nous préciser impérativement le numéro d'article à dix chiffres de l'outil électroportatif indiqué sur la plaque signalétique.

Service après-vente

Vous trouverez des vues éclatées ainsi que des informations concernant les pièces de rechange sous :
www.bosch-pt.com

Pour avoir des renseignements concernant la garantie, les travaux d'entretien ou de réparation ou les pièces de rechange, veuillez contacter votre détaillant spécialisé.

Élimination des déchets

Les outils électroportatifs, ainsi que leurs accessoires et emballages, doivent pouvoir suivre chacun une voie de recyclage appropriée.

Sous réserve de modifications.

◀ عند انقراط أو تكليش عدة الشغل، تفصل قوة الدفع عن محور دوران المتقاب. اقبض على العدة الكهربائية دائماً بكلتا اليدين بإحكام وقف بثبات بسبب القوى الناتجة عن ذلك.

◀ اطفى العدة الكهربائية وحلّ عدة الشغل عند استعصاء العدة الكهربائية. عند بدء التشغيل بعدة تثقيب مستعصية تشكل عزوم ارتدادية عالية.

ملاحظات شغل

تغيير وضع الإزميل (تغيير-إقفال) (GBH 2-26 DE/DRE/DFR)

يمكنك تثبيت الإزميل في 36 وضع. ويمكنك بذلك أن تتخذ وضعية الشغل الأنسب في كل حالة.

ركب الإزميل في حاضن العدة.

دور مفتاح إيقاف الطرق/الدوران 11 إلى الوضع "تغيير-إقفال" (يراجع "ضبط نوع التشغيل"، الصفحة 66).

افتل حاضن العدة إلى وضع النحت المرغوب.

دور مفتاح إيقاف الطرق/الدوران 11 إلى الوضع "نحت". يتم إقفال حاضن العدة بذلك.

اضبط اتجاه الدوران من أجل النحت على الدوران اليميني.

تركيب لقم ربط اللوالب (تراجع الصورة L)

◀ ركز العدة الكهربائية على اللولب/الصامولة فقط عندما تكون مطفأة. إن عدد الشغل الدوارة قد تنزلق.

لكي تستخدم لقم ربط اللوالب، فإنك ستحتاج إلى الحامل العام 27 بساق حوضن SDS-plus (من التوابع).

نظف نهاية غرز ساق الحوضن وشحمها قليلاً.

اغرز الحامل العام في حاضن العدة أثناء فتله إلى أن يتم إقفاله من تلقاء نفسه.

تفحص إحكام الثبات من خلال سحب الحامل العام.

ركب لقمة ربط لوالب في الحامل العام. استخدم فقط لقم ربط اللوالب التي تلائم رأس اللولب.

لتنزع الحامل العام تدفع لبيسة الإقفال 5 إلى الخلف وينزع الحامل العام 27 عن حاضن العدة.

الصيانة والخدمة

الصيانة والتنظيف

◀ اسحب القابض من مقبس الشبكة الكهربائية قبل إجراء أي عمل على العدة الكهربائية.

◀ حافظ دائماً على نظافة العدة الكهربائية وشقوق التهوية للعمل بشكل جيد وآمن.

◀ ينبغي استبدال غطاء الوقاية من الغبار التالف فوراً. وينصح أن يتم ذلك من قبل مركز خدمة الزبائن.

نظف حاضن العدة 3 بعد كل استعمال.

عند حدوث أي خلل بالعدة الكهربائية بالرغم من أنها قد صنعت بعناية فائقة واجتازت اختبارات عديدة توجب إصلاحها في مركز خدمة وكالة عدد بوش الكهربائية.

يرجى ذكر رقم صنف الجهاز بالمراتب العشر بشكل ضروري عند الاستشارة وعند إرسال طلبيات قطع الغيار.

الخدمة ومشورة الزبائن

يثر على الرسوم الممددة وعلى المعلومات عن قطع الغيار بموقع:

www.bosch-pt.com

يرجى التوجه إلى التاجر المختص بها بتعلّق بأمر الضمان والتصليح وتأمين قطع الغيار.

التخلص من العدة الكهربائية

ينبغي التخلص من العدد الكهربائية والتوابع والغلاف بطريقة منصفة للبيئة عن طريق النفايات القابلة لإعادة التصنيع.

تحفظ بحق إدخال التعديلات.

يمكنك أن تحدد عمق الثقب المرغوب **X** حتى لو كان الشافط السريع مركباً.

ادفع عدة الشغل SDS-plus إلى داخل حاضن العدة SDS-plus 3 حتى التصادم. وإلا فإن حركة عدد SDS-plus قد تؤدي إلى ضبط عمق ثقب خاطئ.

حل اللولب المجنح **25** بالشافط السريع.

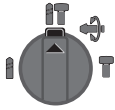
ركز العدة الكهربائية بإحكام دون تشغيلها على المكان المرغوب ثقبه. يجب أن تركز عدة SDS-plus أثناء ذلك على السطح.

حرك انبوع توجيه **26** الشافط السريع في حامله بحيث يرتكز رأس الشافط السريع على السطح المرغوب ثقبه بتساوط. لا تدفع انبوع توجيه **26** على الانبوع المتداخل **24** أكثر من الضرورة، بحيث يبقى أكبر جزء ممكن من المقياس على الانبوع المتداخل **24** مرئياً.

أحكام شدّ اللولب المجنح **25**. حل لولب القمط **22** بمحدد عمق الشافط السريع.

حرك محدد العمق **23** على الانبوع المتداخل **24** بحيث يتوافق البعد **X** الموضح في الصورة مع عمق الثقب المرغوب.

شدّ لولب القمط **22** في هذا الوضع بإحكام.



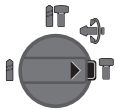
وضع الثقب المرفق بالطرق في
الخرسانة أو الصخر



وضع الثقب دون دق في الخشب
والمعادن والخزف واللدائن وأيضاً
لربط اللولب وقص أسنان
اللولب



وضع إقفال-تغيير لتغيير وضع
الإزميل
لا يتعاشق مفتاح إيقاف الطرق/
الدوران **11** في هذا الوضع.



وضع النحت

ضبط اتجاه الدوران (GBH 2-26 RE/DRE/DFR)

يمكنك بواسطة مفتاح تحويل اتجاه الدوران **7** أن تقوم بتغيير اتجاه دوران العدة الكهربائية، ولكن لا يمكن تنفيذ ذلك عندما يكون مفتاح التشغيل والإطفاء **9** قيد التشغيل.

دوران يميني: دور مفتاح تغيير اتجاه الدوران **7** على الجانبين إلى الوضع ← حتى التصادم.

دوران يساري: دور مفتاح تغيير اتجاه الدوران **7** على الجانبين إلى الوضع → حتى التصادم.

اضبط اتجاه الدوران دائماً على الدوران اليميني من أجل التثقيب المرفق بالطرق والتثقيب والنحت.

التشغيل والإطفاء

من أجل تشغيل العدة الكهربائية يضغظ على مفتاح التشغيل والإطفاء **9**. من أجل تثبيت مفتاح التشغيل والإطفاء، يحافظ على إبقائه مضغوطةً ويضغظ إضافة إلى ذلك على زر التثبيت **8**.

من أجل إطفاء العدة الكهربائية يطلق مفتاح التشغيل والإطفاء **9**. إن كان مفتاح التشغيل والإطفاء **9** مثبتاً، يكبس أولاً ثم يطلق بعد ذلك.

ضبط عدد الدوران/عدد الدق

يمكنك أن تضبط عدد دوران/ طرق العدة الكهربائية قيد التشغيل دون تدريب، حسب مدى الضغط على مفتاح التشغيل والإطفاء **9**.

يؤدي الضغط الخفيف لمفتاح التشغيل والإطفاء **9** إلى عدد دوران/ عدد طرق منخفض. ويرتفع عدد الدوران/ عدد الطرق بزيادة الضغط.

التشغيل

بدئ التشغيل

انتبه إلى جهد الشبكة الكهربائية! يجب أن يتطابق جهد منبع التيار مع المعلومات المذكورة على لائحة طراز الجهاز.

ضبط نوع التشغيل

يتم اختيار نوع تشغيل العدة الكهربائية بواسطة مفتاح إيقاف الطرق/الدوران **11**.

ملاحظة: غير نوع التشغيل فقط عندما تكون العدة الكهربائية مطفأة! وإلا فقد يتم إتلاف العدة الكهربائية.

اكبس زر فك الإقفال **10** من أجل تغيير نوع التشغيل واقتل مفتاح إيقاف الطرق/الدوران **11** إلى الوضع المرغوب، إلى أن يتعاشق بصوت مسموع.

نزع عدد الشغل دون SDS-plus (GBH 2-26 E/RE/DE/DRE)

يمنع غطاء الوقاية من الغبار 4 بشكل واسع النطاق تسرب غبار التجليخ إلى حاضن العدة أثناء التشغيل. انتبه أثناء تركيب العدة ألا يتم إتلاف غطاء الوقاية من الغبار 4.

ينبغي استبدال غطاء الوقاية من الغبار الثالث فوراً. وينصح أن يتم ذلك من قبل مركز خدمة الزبائن.

تلقيم عدد الشغل دون SDS-plus (GBH 2-26 DFR) (تراجع الصورة H)

ملاحظة: لا تستخدم العدد دون SDS-plus للثقيب المرفق بالطرق أو للنحت! تتلف العدد دون SDS-plus وظرف المثقاب المخصص لها عند الثقيب المرفق بالطرق وعند النحت.

ركب ظرف المثقاب البديل السريع الشد 1.

امسك بحلقة قبض 20 ظرف المثقاب البديل السريع الشد بإحكام. افتح حاضن العدة من خلال فتل الليبسة الأمامية 19 إلى الحد الذي يسمح بتركيب العدة. امسك بحلقة القبض 20 بإحكام وافتل الليبسة الأمامية 19 بقوة باتجاه السهم، إلى أن تسمع صوت الكلاب بوضوح.

تفحص إحكام الثبات من خلال سحب العدة.

ملاحظة: إن تم فتح حاضن العدة إلى حد التصادم، فقد تسمع صوت الكلاب أثناء فتل حاضن العدة لإغلاقه ولكن حاضن العدة لا يغلق. افتل الليبسة الأمامية 19 في هذه الحالة مرة واحدة بعكس اتجاه السهم. يمكن إغلاق حاضن العدة بعد ذلك.

افتل مفتاح إيقاف الطرق/ الدوران 11 إلى المركز "قُب".

نزع عدد الشغل دون SDS-plus (GBH 2-26 DFR) (تراجع الصورة I)

امسك بحلقة قبض 20 ظرف المثقاب البديل السريع الشد بإحكام. افتح حاضن العدة من خلال فتل الليبسة الأمامية 19 باتجاه السهم، إلى الحد الذي يسمح بنزع العدة.

شفط الغبار بالشفاط السريع (من التوايع)

تركيب الشفاط السريع (تراجع الصورة J)

يتطلب شفط الغبار للشفاط السريع (من التوايع). يرتد الشفاط السريع أثناء الثقيب بحيث يحافظ على إبقاء رأس الشفاط السريع دائماً على مقربة من السطح.

اكبس زر ضبط محدد العمق 12 وانزع محدد العمق 13. اكبس الزر 12 مرة أخرى واغرز الشفاط السريع في المقبض الإضافي 14 من الأمام.

اربط خرطوم الشفط (بقطر 19 مم، من التوايع) بفتحة الشفط 21 على الشفاط السريع.

يجب أن تصلح شفاطة الغبار الخوائية للاستعمال مع مادة الشغل المرغوب معالجتها.

استخدم شفاطة غبار خوائية خاصة عند شفط الأغبرة المضرة بالصحة أو المسببة للسرطان أو الشديدة الجفاف.

تلقيم عدد الشغل SDS-plus (تراجع الصورة F)

يمكنك بواسطة ظرف المثقاب SDS-plus أن تستبدل عدد الشغل بسهولة ودون الحاجة إلى استخدام عدد إضافية.

GBH 2-26 DFR: ركب ظرف المثقاب البديل 2 SDS-plus.

نظف ظرف التلقيم بعدة الشغل وشحمه قليلاً.

ادفع عدة الشغل إلى داخل حاضن العدة أثناء فتلها إلى أن تتعاشق من تلقاء نفسها.

تفحص ثبات الإقفال من خلال سحب العدة.

لقد صممت عدد شغل SDS-plus بحيث تكون طليقة الحركة. يؤدي ذلك إلى انحراف دوراني عند الدوران اللاهلي. لا يؤثر ذلك على دقة الثقب لأن لقم الثقيب تتمركز من تلقاء نفسها عند الثقيب.

نزع عدد الشغل SDS-plus (تراجع الصورة G)

ادفع لبيسة الإقفال 5 إلى الخلف وانزع عدة الشغل.

تلقيم عدد الشغل دون SDS-plus (GBH 2-26 E/RE/DE/DRE)

ملاحظة: لا تستخدم العدد دون SDS-plus للثقيب المرفق بالطرق أو للنحت! تتلف العدد دون SDS-plus وظرف المثقاب المخصص لها عند الثقيب المرفق بالطرق وعند النحت.

ركب ظرف المثقاب المسنن الطوق 16 (براجع "استبدال ظرف المثقاب المسنن الطوق"، الصفحة 68).

افتح ظرف المثقاب المسنن الطوق 16 من خلال فتله إلى أن تتمكن من تلقيم العدة. ركب العدة.

اغرز مفتاح ظرف المثقاب في التجاويف الملائمة بظرف المثقاب المسنن الطوق 16 وأحكم شدّ العدة بتساوي.

افتل مفتاح إيقاف الطرق/ الدوران 11 إلى المركز "قُب".

التركيب

← اسحب القابس من مقبس الشبكة الكهربائية قبل إجراء أي عمل على العدة الكهربائية.

المقبض الإضافي

← استعمال عدتك الكهربائية فقط مع المقبض الإضافي **14**.

برم المقبض الإضافي (تراجع الصورة **A**)

يمكنك أن تقوم بأرجحة المقبض الإضافي **14** حسب رغبتك لكي تتوصل إلى موقف عمل آمن وقليل الإجهاد.

افتل قطعة المقبض السفلية بالمقبض الإضافي **14** بعكس اتجاه حركة عقارب الساعة ودور المقبض الإضافي **14** إلى المركز المرغوب. ثم أعد تدوير قطعة المقبض السفلية بالمقبض الإضافي **14** باتجاه حركة عقارب الساعة بإحكام. انتبه إلى تثبيت سير شد المقبض الإضافي في الحز المخصص له بالهيكل.

ضبط عمق التثقيب (تراجع الصورة **B**)

يمكنك بواسطة محدد عمق التثقيب **13** أن تحدد عمق التثقيب **X** المرغوب. اضغط على زر ضبط محدد العمق **12** وركب محدد العمق في المقبض الإضافي **14**.

يجب أن تدل الخروز بمحدد العمق **13** نحو الأسفل.

ادفع عدة الشغل SDS-plus إلى داخل حاضن العدة **3** SDS-plus حتى التصادم. وإلا فإن حركة عدد SDS-plus قد تؤدي إلى ضبط عمق ثقب خاطئ.

اسحب محدد العمق إلى الخارج إلى أن تتوافق مسافة البعد بين رأس لقمة التثقيب ورأس محدد العمق مع عمق التثقيب **X** المرغوب.

اختيار ظرف المثقاب والعدد

إنك بحاجة إلى عدد SDS-plus من أجل الثقب المرفق بالطرق وللنحت، ويتم تركيبها في ظرف المثقاب SDS-plus.

يتم استخدام العدد دون SDS-plus (مثلاً: لقم تثقيب بساق اسطوانية) من أجل الثقب دون دق في الخشب والمعادن والخزف واللدائن وأيضاً لربط اللوالب وقص أسنان اللوالب. وإنك بحاجة إلى ظرف المثقاب السريع الشد أو ظرف المثقاب المسنن الطوق من أجل هذه العدد.

ملاحظة: لا تستخدم العدد دون SDS-plus للتثقيب المرفق بالطرق أو للنحت! تلف العدد دون SDS-plus وظرف المثقاب المخصص لها عند التثقيب المرفق بالطرق وعند النحت.

GBH 2-26 DFR: يمكن استبدال ظرف المثقاب البديل SDS-plus **2** بسهولة بظرف المثقاب المسنن الطوق **1** المرفق.

استبدال ظرف المثقاب المسنن الطوق

(GBH 2-26 E/RE/DE/DRE)

لكي تتمكن من العمل بواسطة العدد دون SDS-plus (مثلاً لقم الثقب بساق اسطوانية) يجب أن يتم تركيب ظرف المثقاب المناسب (ظرف المثقاب المسنن الطوق أو السريع الشد، من التوابع).

تركيب ظرف المثقاب المسنن الطوق (تراجع الصورة **C**)

ابرم ساق حوضن **17** SDS-plus إلى داخل ظرف المثقاب المسنن الطوق **16**. أمن ظرف المثقاب المسنن الطوق **16** بواسطة لولب التأمين **15**. انتبه إلى أن أسنان لولب التأمين يسارية الاتجاه.

تلقيم ظرف المثقاب المسنن الطوق (تراجع الصورة **C**)

نظف نهاية غرز ساق الحوضن وشحمها قليلاً.

لقم ظرف المثقاب المسنن الطوق مع ساق الحوضن في حاضن العدة مع فتله إلى أن يتم إقفاله من تلقاء نفسه.

تفحص ثبات الإقفال من خلال سحب ظرف المثقاب المسنن الطوق.

نزع ظرف المثقاب المسنن الطوق

ادفع لبيسة الإقفال **5** إلى الخلف وانزع ظرف المثقاب المسنن الطوق **16**.

نزع/تلقيم ظرف المثقاب البديل (GBH 2-26 DFR)

نزع ظرف المثقاب البديل (تراجع الصورة **D**)

اسحب حلقة إقفال ظرف المثقاب البديل **6** إلى الخلف، وامسك بها في هذا الوضع وانزع ظرف المثقاب البديل **2** SDS-plus أو ظرف المثقاب البديل السريع الشد **1** بسحبه إلى الأمام.

تراعي حماية ظرف المثقاب البديل من الاتساخ بعد نزع.

تلقيم ظرف المثقاب البديل (تراجع الصورة **E**)

نظف ظرف المثقاب البديل قبل تلقيمه وشحم نهاية الغرز قليلاً.

اقبض على ظرف المثقاب البديل **2** SDS-plus أو على ظرف المثقاب البديل السريع الشد **1** بتطويقه بكامل اليد. ادفع ظرف المثقاب البديل على حاضن ظرف المثقاب **18** أثناء فتله، إلى أن تسمع صوت التعاشق بوضوح.

يقفل ظرف المثقاب البديل من تلقاء نفسه. تفحص ثبات الإقفال من خلال سحب ظرف المثقاب البديل.

2-26 DFR	2-26 DRE	2-26 DE	2-26 RE	2-26 E	مطرقة تنقيب ... GBH Professional
0 611 254 7..	0 611 253 7..	0 611 253 6..	0 611 251 7..	0 611 251 6..	رقم الصنف
●	●	●	●	●	التحكم بعدد الدوران
●	●	●	-	-	إيقاف الدوران
●	●	-	●	-	دوران يميني/ يساري
●	-	-	-	-	ظرف المتقاب البديل
800	800	800	800	800	القدرة الاسمية المقنية واط
0-4000	0-4000	0-4000	0-4000	0-4000	عدد الطرق بعدد الدوران الاسمي دقيقة ¹
0-3,0	0-3,0	0-3,0	0-3,0	0-3,0	قوة الطرقة المفردة جول
0-900	0-900	0-900	0-900	0-900	عدد الدوران الاسمي دقيقة ¹
SDS-plus	SDS-plus	SDS-plus	SDS-plus	SDS-plus	حاضن العدة
50	50	50	50	50	قطر عنق محور الدوران مم
					قطر الثقب الأقصى:
26	26	26	26	26	م - الخرسانة مم
68	68	68	68	68	م - الجدران (بلقمة تنقيب قلبية) مم
13	13	13	13	13	م - الفولاذ مم
30	30	30	30	30	م - الخشب مم
					الوزن حسب
2,9	2,7	2,7	2,7	2,7	EPTA-Procedure 01/2003 كغ
II / □	II / □	II / □	II / □	II / □	فئة الوقاية

القيم سارية المفعول للجهود الاسمية 230/240 فولط [U]. قد تتفاوت هذه القيم عندما يقل الجهد عن ذلك أو بطرازات خاصة ببلدان معينة. يرجى مراعاة رقم الصنف على لافتة طراز عدتك الكهربائية. قد تختلف التسميات التجارية لبعض العدد الكهربائية المفردة.

الأجزاء المصورة

يستند ترقيم الأجزاء المصورة إلى رسوم العدة الكهربائية الموجودة في صفحة الرسوم التخطيطية.

14	مقبض إضافي	1	ظرف المتقاب البديل السريع الشد (GBH 2-26 DFR)
15	لولب تأمين ظرف المتقاب المسنن الطوق*	2	ظرف المتقاب البديل SDS-plus (GBH 2-26 DFR)
16	ظرف المتقاب المسنن الطوق*	3	حاضن العدة SDS-plus
17	ساق حوض SDS-plus لظرف المتقاب*	4	غطاء الوقاية من الغبار
18	حاضن ظرف المتقاب (GBH 2-26 DFR)	5	لبيسة إقفال
19	اللبيسة الأمامية بظرف المتقاب البديل السريع الشد (GBH 2-26 DFR)	6	حلقة إقفال ظرف المتقاب البديل (GBH 2-26 DFR)
20	حلقة قبض بظرف المتقاب البديل السريع الشد (GBH 2-26 DFR)	7	مفتاح تحويل اتجاه الدوران (GBH 2-26 RE/DRE/DFR)
21	فتحة شفط مثبت الشفط*	8	زر تثبيت مفتاح التشغيل والإطفاء
22	لولب قشط مثبت الشفط*	9	مفتاح التشغيل والإطفاء
23	محدد العمق بمثبت الشفط*	10	زر فك الإقفال لمفتاح إيقاف الدق/ الدوران
24	انبوب متداخل بمثبت الشفط*	11	مفتاح إيقاف الدق/ الدوران
25	لولب منحج بمثبت الشفط*	12	زر ضبط محدد العمق
26	انبوب التوجيه بمثبت الشفط*	13	محدد العمق
27	حامل عام بساق حوض SDS-plus*		

* إن التوازي الموصوفة أو الموجودة في الرسم ليست مضمونة في إطار التوريد الاعتيادي.

- ◀ حافظ على نظافة مكان شغلك، إن خلاط المواد شديدة الخطورة. إن أغبرة المعادن الخفيفة قد تشتعل أو تنفجر.
- ◀ انظر إلى أن تتوقف العدة الكهربائية عن الحركة قبل أن تضعها جانباً. قد تتكبد عدة الشغل فتؤدي إلى فقدان السيطرة على العدة الكهربائية.
- ◀ لا تستعمل العدة الكهربائية إن كان الكابل الكهربائي تالف. لا تلمس الكابل التالف واسحب قايس الشبكة الكهربائية إن أصيب الكابل بتلف أثناء موازلة الشغل. تزيد الكابلات الكهربائية التالفة من خطر الإصابة بصدمة كهربائية.

- (e) اعتن بالعدة الكهربائية بشكل جيد. تفحص عما إذا كانت أجزاء الجهاز المتحركة تعمل بشكل سليم وبأنها غير مستعصبة عن الحركة أو إن كانت هناك أجزاء مكسورة أو تالفة لدرجة تؤثر فيها على حسن أداء العدة الكهربائية. ينبغي تصليح هذه الأجزاء التالفة قبل إعادة تشغيل الجهاز. الكثير من الحوادث مصدرها العدد الكهربائية التي تم صيانتها بشكل رديء.
- (f) حافظ على إبقاء عدد القطع نظيفة وحادة. إن عدد القطع ذات حواف القطع الحادة التي تم صيانتها بعناية تتكبلش بشكل أقل ويمكن توجيهها بشكل أيسر.
- (g) استخدم العدد الكهربائية والتوابع وعدد الشغل وإلخ. حسب هذه التعليمات. تراعى أثناء ذلك شرط الشغل والعمل المراد تنفيذه. استخدام العدد الكهربائية لغير الأشغال المخصصة لأجلها قد يؤدي إلى حدوث الحالات الخطيرة.

وصف العمل

اقرأ جميع الملاحظات التحذيرية والتعليمات. إن ارتكاب الأخطاء عند تطبيق الملاحظات التحذيرية والتعليمات قد يؤدي إلى الصدمات الكهربائية، إلى نشوب الحرائق و/أو الإصابة بجروح خطيرة.



(5) الخدمة

(a) اسمح بتصليح عدتك الكهربائية فقط من قبل العمال المتخصصين و فقط باستعمال قطع الغيار الأصلية. يؤمن ذلك المحافظة على أمان الجهاز.

يرجى فتح الصفحة القابلة للثني والتي تتضمن صور الجهاز واطرقها مفتوحة أثناء قراءة كراسة الاستعمال.

تعليمات أمان خاصة بالجهاز

- ◀ ارتد واقية سمع. قد يؤدي تأثير الضجيج إلى فقدان قدرة السمع.
- ◀ استعمل المقابض اليدوية المرسله مع العدة الكهربائية. قد يؤدي فقدان السيطرة على العدة الكهربائية إلى الإصابة بجروح.
- ◀ استخدم أجهزة تنقيب ملائمة للعثور على خطوط الامداد المخفية أو استعن بشركة الامداد المحلية. إن ملامسة الخطوط الكهربائية قد يؤدي إلى اندلاع النار وإلى الصدمات الكهربائية. إتلاف خط الغاز قد يؤدي إلى الانفجارات. اختراق خط الماء يشكل الأضرار المادية أو قد يؤدي إلى الصدمات الكهربائية.
- ◀ اقبض على العدة الكهربائية أثناء الشغل بكلتا اليدين بإحكام وقف بثبات. يتم توجيه العدة الكهربائية بكلتا اليدين بأمان أكبر.
- ◀ أمن قطعة الشغل. يتم القبض على قطعة الشغل التي تم تثبيتها بواسطة تجهيزة شدّ أو بواسطة المزمرة بأمان أكبر مما لو تم المسك بها بواسطة يدك.
- ◀ لا تعالج المواد التي تحتوي على الأسبستوس. يعتبر الأسبستوس مسبباً للسرطان.
- ◀ اتخذ اجراءات الأمان إن كان من الجائز أن تنتج الأغبرة المضره بالصحة أو القابلة للاحتراق أو الانفجار أثناء الشغل. مثلاً: تعتبر بعض الأغبرة مسببة للسرطان. ارتد قناع للوقاية من الغبار واستخدم شافطة خوائية للغبار أو النشارة إن كان من الممكن أن يتم وصلها.

الاستعمال المخصص

GBH 2-26 E/RE

العدة الكهربائية مخصصة للتنقيب المرفق بالطرق في الخرسانة والطوب والحجر. كما أنها صالحة للتنقيب دون طرق في الخشب والمعادن والخزف واللدائن. وتصلح العدد الكهربائية المزودة بالتحكم الالكتروني والدوران اليميني/ اليساري أيضاً لربط اللوالب ولقص أسنان اللوالب.

GBH 2-26 DE/DRE/DFR

العدة الكهربائية مخصصة للتنقيب المرفق بالطرق في الخرسانة والطوب والحجر وأيضاً لإجراء أعمال النحت الخفيفة. كما أنها صالحة للتنقيب دون طرق في الخشب والمعادن والخزف واللدائن. وتصلح العدد الكهربائية المزودة بالتحكم الالكتروني والدوران اليميني/ اليساري أيضاً لربط اللوالب ولقص أسنان اللوالب.

ملاحظات تحذيرية عامة للعدد الكهربائي



اقرأ جميع الملاحظات التحذيرية والتعليمات. إن ارتكاب الأخطاء عند تطبيق الملاحظات التحذيرية والتعليمات قد يؤدي إلى الصدمات الكهربائية، إلى نشوب الحرائق و/ أو الإصابة بجروح خطيرة.

احتفظ بجميع الملاحظات التحذيرية والتعليمات للمستقبل.

يقصد بمصطلح "العدة الكهربائية" المستخدم في الملاحظات التحذيرية، العدد الكهربائي الموصولة بالشبكة الكهربائية (بواسطة كابل الشبكة الكهربائية) وأيضاً العدد الكهربائي المزودة بمركم (دون كابل الشبكة الكهربائية).

1) الأمان بمكان الشغل

(a) حافظ على نظافة وحسن إضاءة مكان شغلك. الفوضى في مكان الشغل ومجالات العمل الغير مضاءة قد تؤدي إلى حدوث الحوادث.

(b) لا تستغل بالعدة الكهربائية في محيط معرض لخطر الانفجار والذي تتوفر فيه السوائل أو الغازات أو الأبخرة القابلة للاشتعال. العدد الكهربائي تشكل الشرر الذي قد يتطاير، فيشعل الأبخرة والأبخرة.

(c) حافظ على بقاء الأطفال وغيرهم من الأشخاص على بعد عندما تستعمل العدة الكهربائية. قد تفقد السيطرة على الجهاز عند التلهي.

2) الأمان الكهربائي

(a) يجب أن يتلائم قابس وصل العدة الكهربائية مع المقبس. لا يجوز تغيير القابس بأي حال من الأحوال. لا تستعمل القوابس المهينة مع العدد الكهربائي المؤرضه تأريض وقائي. تخفض القوابس التي لم يتم تغييرها والمقابس الملائمة من خطر الصدمات الكهربائية.

(b) تجنب ملامسة السطوح المؤرضة كالأثابيب ورادياتورات التدفئة والمدافع أو البرادات بواسطة جسمك. يزداد خطر الصدمات الكهربائية عندما يكون جسمك مؤرض.

(c) أبعد العدة الكهربائية عن الأمطار أو الرطوبة. يزداد خطر الصدمات الكهربائية إن تسرب الماء إلى داخل العدة الكهربائية.

(d) لا تسيء استعمال الكابيل لحمل العدة الكهربائية أو لتعليقها أو لسحب القابس من المقبس. حافظ على إبعاد الكابيل عن الحرارة والزيت والحوائف الحادة أو عن أجزاء الجهاز المتحركة. تزيد الكابلات التالفة أو المشابهة من خطر الصدمات الكهربائية.

(e) استخدم فقط كابلات التمديد الصالحة للاستعمال الخارجي أيضاً عندما تستغل بالعدة الكهربائية في الخلاء. ينجف استعمال كابل تمديد مخصص للاستعمال الخارجي من خطر الصدمات الكهربائية.

(f) إن لم يكن بالإمكان تجنب تشغيل العدة الكهربائية في الأجواء الرطبة، فاستخدم مفتاح للوقاية من التيار المتخلف. إن استخدام مفتاح للوقاية من التيار المتخلف يقلل خطر الصدمات الكهربائية.

3) أمان الأشخاص

(a) كن يقظاً وانتبه إلى ما تفعله وقم بالعمل بواسطة العدة الكهربائية بتعقل. لا تستخدم عدة كهربائية عندما تكون متعب أو عندما تكون تحت تأثير المخدرات أو الكحول أو الأدوية. عدم الانتباه للحظة واحدة عند استخدام العدة الكهربائية قد يؤدي إلى إصابات خطيرة.

(b) ارتد عتاد الوقاية الخاص وارتد دائماً نظارات واقية. يجد ارتداء عتاد الوقاية الخاص، كقناع الوقاية من الغبار وأحذية الأمان الواقية من الانزلاق والحوذ أو واقية الأذنين، حسب نوع واستعمال العدة الكهربائية، من خطر الإصابة بجروح.

(c) تجنب التشغيل بشكل غير مقصود. تأكد من كون العدة الكهربائية مغطاة قبل وصلها بإمداد التيار الكهربائي و/ أو بالمركم، وقبل رفعها أو حملها. إن كنت تضع إصبعك على المفتاح أثناء حمل العدة الكهربائية أو إن وصلت الجهاز بالشبكة الكهربائية عندما يكون قيد التشغيل، فقد يؤدي ذلك إلى حدوث الحوادث.

(d) انزع عدد الضبط أو مفتاح الربط قبل تشغيل العدة الكهربائية. قد تؤدي العدة أو المفتاح المتواجد في جزء دوار من الجهاز إلى الإصابة بجروح.

(e) تجنب أوضاع الجسد الغير طبيعية. قف بأمان وحافظ على توازنك دائماً. سيسمح لك ذلك من السيطرة على الجهاز بشكل أفضل في المواقف الغير متوقعة.

(f) ارتد ثياب مناسبة. لا ترتد الثياب الفضفاضة أو الحلى. حافظ على إبقاء الشعر والثياب والقفايزات على بعد عن أجزاء الجهاز المتحركة. قد تتشابك الثياب الفضفاضة والحلى والشعر الطويل بالأجزاء المتحركة.

(g) إن جاز تركيب تجهيزات شطف وتجميع الغبار، فتأكد من أنها موصولة وبأنه يتم استخدامها بشكل سليم. قد يقلل استخدام تجهيزات لشطف الأبخرة من المخاطر الناتجة عن الأبخرة.

4) حسن معاملة واستخدام العدد الكهربائي

(a) لا نفرط بتحميل الجهاز. استخدم لتنفيذ أشغالك العدة الكهربائية المخصصة لذلك. إنك تعمل بشكل أفضل وأكثر أماناً بواسطة العدة الكهربائية الملائمة في مجال الأداء المذكور.

(b) لا تستخدم العدة الكهربائية إن كان مفتاح تشغيلها تالف. العدة الكهربائية التي لم تعد تسمح بتشغيلها أو بإطافئها خطيرة ويجب أن يتم تصليحها.

(c) اسحب القابس من المقبس و/ أو انزع المركم قبل ضبط الجهاز وقيل استبدال قطع التوابع أو قبل وضع الجهاز جانباً. تمنع إجراءات الاحتياط هذه تشغيل العدة الكهربائية بشكل غير مقصود.

(d) احتفظ بالعدد الكهربائي التي لا يتم استخدامها بعيداً عن متال الأطفال. لا تسمح باستخدام العدة الكهربائية لمن لا خبرة له بها أو لمن لم يقرأ تلك التعليمات. العدد الكهربائي خطيرة إن تم استخدامها من قبل أشخاص دون خبرة.

روشن و خاموش کردن دستگاه

برای روشن کردن ابزار برقی، کلید قطع و وصل 9 را فشار دهید.

برای قفل کردن کلید روشن و خاموش، آنرا فشار داده و نگهدارید و همزمان دکمه فشاری تثبیت کننده 8 را فشار بدهید.

منظور خاموش کردن ابزار برقی، دکمه قطع و وصل 9 را رها کنید. در صورت قفل بودن دکمه قطع و وصل 9 باید نخست آنرا فشار داده و مجدداً رها کنید.

تنظیم تعداد ضربه و یا چرخش

شما میتوانید سرعت/تعداد ضربه را در حالت روشن بودن ابزار برقی بدون درجه بندی تنظیم کنید. به این ترتیب که تا رسیدن به اندازه مورد نظر، کلید قطع و وصل 9 را در حالت فشار داده شده نگهدارید.

فشار آرام روی دکمه قطع و وصل 9 شدت دور موتور و تعداد ضربه ها را کم می کند. افزایش فشار باعث افزایش شدت دور موتور و تعداد ضربه ها میشود.

کلاج ایمنی

- چنانچه ابزار در حال کار قفل کرده و یا گیر کند، نیروی محرکه شفت مته قطع می شود. بدلیل نیروهایی که در اینصورت ایجاد می شوند، ابزار الکتریکی را همیشه با هر دو دست محکم نگهدارید و وضعیت ایستادن شما هم باید ثابت و مستقر باشد.
- در صورتیکه ابزار روی دستگاه بلوکه کند، دستگاه را خاموش کرده و ابزار را از روی دستگاه بردارید. در صورتیکه ابزار روی دستگاه بلوکه باشد و شما دستگاه را روشن کنید، واکنشهای شدیدی ایجاد خواهد شد.

راهنمایی های عملی

تغییر وضعیت قلم کاری (Vario-Lock) (GBH 2-26 DE/DRE/DFR)

شما میتوانید قلم تراش را یا 36 تیغه 36 رد مختلف محکم کنید. به این ترتیب میتوانید بهترین حالت کار را انتخاب کنید.

قلم تراش را در ورودی ابزار قرار دهید.

کلید تنظیم ضربه/توقف چرخش 11 را در وضعیت قفل کن قلم «(Vario-Lock)» قرار بدهید (رجوع شود به «انتخاب نوع کار» صفحه 73).

ابزارگیر را به جهت مطلوب برای قلم کاری بچرخانید.

کلید تنظیم ضربه/توقف چرخش 11 را در وضعیت «قلم کاری» قرار بدهید. به این ترتیب ابزارگیر دستگاه قفل میشود.

برای قلم کاری، جهت چرخش را بر روی راست گرد قرار بدهید.

نحوه قرار دادن سرپیچ ها (رجوع شود به تصویر L)

ابزار برقی را تنها در حالت خاموش روی پیچ و یا مهره قرار دهید. ابزار روی دستگاه اگر در حال حرکت باشند، ممکن است سر بخورند.

برای استفاده از سرپیچگوشتی ها به یک نگهدارنده یونیورسال 27 با میله (شفت) مجهز به SDS-plus (متعلقات) نیاز دارید.

شفت آداپتور را تمیز و قسمت انتهایی آنرا کمی چرب کنید.

نگهدارنده یونیورسال (رابط سرپیچگوشتی) را در حالت چرخاندن داخل ابزارگیر قرار بدهید تا زمانیکه بطور اتوماتیک قفل شود.

با کشیدن نگهدارنده یونیورسال، قفل بودن آنرا امتحان کنید.

یک سرپیچگوشتی را داخل رابط سرپیچگوشتی (نگهدارنده یونیورسال) قرار بدهید. منحصرأ از سرپیچگوشتی های متناسب با گل پیچ (سرپیچ) استفاده کنید.

برای برداشتن نگهدارنده یونیورسال، آداپتور قفل کننده 5 را به عقب فشار دهید و نگهدارنده یونیورسال 27 را از داخل ابزارگیر خارج کنید.

مراقبت و سرویس

مراقبت، تعمیر و تمیز کردن دستگاه

- پیش از انجام هرگونه کاری بر روی ابزار الکتریکی، دوشاخه آنرا از پریز برق بیرون بکشید.
- ابزار الکتریکی و شیارهای تهویه آنرا تمیز نگاه دارید. تا ایمنی شما در کار تضمین گردد.
- کلاهک ضدخبار را در صورت آسیب دیدن فوراً عوض کنید. بهتر است اینکار را توسط تعمیرگاه مجاز انجام دهید.
- ابزارگیر 3 را پس از هر بار استفاده تمیز کنید.

در صورت از کار افتادن ابزار الکتریکی، با وجود دقت زیادی که در مراحل تولید و آزمایش آن صورت گرفته است، باید برای تعمیر آن به یکی از تعمیرگاه های مجاز و خدمات پس از فروش ابزارهای الکتریکی بوش مراجعه کنید.

برای هرگونه سؤال و یا سفارش ابزار یدکی و متعلقات، حتماً شماره سفارش ده رقمی کالا را مطابق برچسب روی ابزار الکتریکی اطلاع دهید.

سرویس و خدمات

برای دریافت تصاویر و اطلاعات بیشتر در باره ابزار و متعلقات رجوع شود به سایت:

www.bosch-pt.com

برای استفاده از گارانتی، تعمیر دستگاه و تهیه ابزار یدکی فقط به فروشنده متخصص مراجعه کنید.

دفع دستگاه

ابزار الکتریکی، متعلقات و بسته بندی آن، باید طبق مقررات محیط زیست دفع و بازیافت شوند.

حق هرگونه تغییری محفوظ است.

نحوه مکش گرد و غبار بوسیله ملحقات مکش گرد و غبار (متعلقات)

طرز کار با دستگاه

راه اندازی

نحوه مونتاژ ملحقات مکش گرد و غبار (رجوع شود به تصویر J) برای مکش گرد و غبار به ملحقات مکش گرد و غبار (متعلقات) نیاز دارید. هنگام مته کاری، این ملحقات بطور فنی طوری به عقب رانده میشوند که سر مکنده همواره کاملاً در نزدیکی سطحی که سوراخ میشود، قرار بگیرد.

دکمه تنظیم عمق 12 را فشار دهید و میله تنظیم کننده عمق 13 را بردارید. دکمه 12 را مجدداً فشار دهید و ملحقات مکش گرد و غبار (مکنده ثابت) را از جلو داخل دسته کمکی 14 قرار دهید.

یک شلنگ مکش (با قطر 19 mm میلیمتر، متعلقات) را در آداپتور (دهانه) ملحقات مکش گرد و غبار 21 قرار دهید.

دستگاه مکنده باید برای قطعه کار مورد نظر مناسب باشد.

برای مکش گردهای مضر برای سلامتی و ایجاد کننده سرطان و یا تراشه های خشک باید از یک دستگاه مکنده مخصوص استفاده کنید.

نحوه تنظیم عمق سوراخ در ملحقات مکش گرد و غبار (رجوع شود به تصویر K)

شما میتوانید عمق سوراخ مورد نظر X را هنگام مونتاژ ملحقات مکش گرد و غبار، نیز تعیین کنید.

ابزار مته کاری مجهز به SDS-plus را تا نقطه ایست در ابزارگیر 3 SDS-plus قرار دهید. در غیر اینصورت، قابلیت حرکت ابزار مته کاری SDS-plus ممکن است منجر به تنظیم اشتباه عمق سوراخ بشود.

پیچ خروسکی 25 موجود در ملحقات مکش گرد و غبار را شل کنید. ابزار برقی را بدون روشن کردن آن، بطور ثابت و محکم بر روی سطحی که باید سوراخ شود قرار دهید. در طی آن باید ابزار مته کاری مجهز به SDS-plus بر روی سطح قرار بگیرد.

لوله راهنما 26 برای ملحقات مکش گرد و غبار را طوری در داخل دسته نگهدارنده آن قرار بدهید که سر دستگاه مکنده بر روی سطحی که باید سوراخ شود قرار گیرد. لوله راهنما 26 را بیش از حد مورد لزوم بر روی لوله تلسکوپی 24 فشار ندهید تا حتی الامکان قسمت بزرگی از درجه بندی لوله تلسکوپی 24 قابل رؤیت باقی بماند.

پیچ خروسکی 25 را مجدداً سفت کنید. پیچ گیره 22 واقع در تنظیم کننده عمق ملحقات مکش گرد و غبار را شل کنید.

تنظیم کننده عمق 23 را طوری بر روی لوله تلسکوپی 24 جابجا کنید که فاصله X قابل مشاهده در تصویر، مطابق با عمق مورد نظر سوراخ قرار بگیرد.

پیچ گیره 22 را در این حالت سفت کنید.

به ولتاژ شبکه برق توجه کنید! ولتاژ منبع جریان برق باید با مقادیر موجود بر روی برچسب ابزار الکتریکی مطابقت داشته باشد.

انتخاب نوع کار

بوسیله کلید تنظیم ضربه/توقف چرخش 11 نوع عملکرد ابزار برقی را انتخاب کنید.

تذکر: نوع عملکرد ابزار برقی را منحصراً در حالت خاموش بودن دستگاه تغییر بدهید! در غیر اینصورت، امکان آسیب دیدن ابزار برقی وجود دارد.

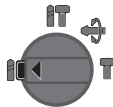
برای تغییر نوع عملکرد دستگاه، دکمه آزادکننده قفل 10 را فشار دهید و کلید تنظیم ضربه/توقف چرخش 11 را به طرف وضعیت دلخواه بچرخانید تا بطور واضح صدای جافافتادن آنرا بشنویید.

GBH 2-26 DE/ DRE/DFR

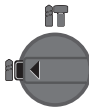
GBH 2-26 E/RE



وضعیت برای دریل کاری
چکشی در بتون و یا سنگ

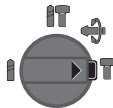


وضعیت برای دریل کاری بدون ضربه در چوب، فلز،سرامیک و پلاستیک و همچنین برای پیچ زنی (پیچ کاری) و قلاویزکاری



وضعیت قفل کن قلم
(Vario-Lock) برای تنظیم و جابجائی وضعیت قلم کاری (قلم زنی)

در این وضعیت کلید تنظیم ضربه/توقف چرخش 11 جامبی افتند.



وضعیت برای قلم کاری
(قلم زنی)

تنظیم جهت چرخش (GBH 2-26 RE/DRE/DFR)

با کمک دکمه تغییر جهت چرخش 7 میتوانید جهت چرخش ابزار برقی را تغییر دهید. این عمل در حالتی که دکمه قطع و وصل 9 فشرده باشد، امکان پذیر نیست.

راست گرد: دکمه تغییر جهت چرخش 7 را از هر دو طرف تا نقطه ایست در وضعیت قرار بدهید.

چپ گرد: دکمه تغییر جهت چرخش 7 را از هر دو طرف تا نقطه ایست در وضعیت قرار بدهید.

جهت چرخش را برای دریل کاری چکشی، مته کاری و قلم کاری (قلم زنی) را همیشه راست گرد تنظیم کنید.

نحوه برداشتن (پیاده کردن)/قرار دادن (جاگذاری) سه نظام قابل تعویض سریع (GBH 2-26 DFR)

نحوه برداشتن سه نظام قابل تعویض سریع (رجوع شود به تصویر D)

حلقه قفل کننده سه نظام قابل تعویض سریع 6 را به عقب بکشید. آنرا در همان حالت محکم نگهدارید و سه نظام قابل تعویض سریع 2 مجهز به SDS-plus و یا سه نظام اتوماتیک قابل تعویض سریع 1 را به جلو بکشید. سه نظام قابل تعویض سریع را پس از برداشتن در برابر کشیف شدن و آلودگی محافظت کنید.

نحوه قرار دادن و جاگذاری سه نظام قابل تعویض سریع (رجوع شود به تصویر E)

سه نظام قابل تعویض سریع را پیش از جاگذاری آن، تمیز و قسمت انتهایی آنرا کمی چرب کنید.

دور سه نظام قابل تعویض سریع 2 مجهز به SDS-plus و یا سه نظام اتوماتیک قابل تعویض سریع 1 را با تمام کف دست بگیرید. سه نظام قابل تعویض سریع را در حال چرخاندن بر روی دهانه سه نظام 18 فشار دهید تا زمانی که صدای جا افتادن آنرا بطور واضح بشنویید.

سه نظام قابل تعویض سریع بطور خودکار قفل میشود. با کشیدن سه نظام قابل تعویض سریع، قفل بودن آن را امتحان کنید.

تعویض ابزار

کلاهک ضد غبار 4 از ورود گرد و غبار مته کاری به دهانه ابزارگیر دستگاه هنگام کار جلوگیری میکند. هنگام قرار دادن ابزار روی دستگاه دقت کنید که کلاهک ضدغبار 4 آسیب نبیند.

«کلاهک ضدغبار را در صورت آسیب دیدن فوراً عوض کنید. بهتر است اینکار را توسط تعمیرگاه مجاز انجام دهید.»

نحوه قرار دادن و جاگذاری ابزار دریل مجهز به SDS-plus (رجوع شود به تصویر F)

به وسیله سه نظام مجهز به SDS-plus، میتوانید ابزار مته را بسیار ساده و راحت بدون نیاز و استفاده از ابزارهای متفرقه تعویض کنید.

GBH 2-26 DFR: سه نظام قابل تعویض سریع 2 مجهز به SDS-plus را جاگذاری کنید.

انتهای ابزار را برای وارد کردن تمیز کرده و کمی آنرا چرب کنید.

ابزار روی دستگاه را با چرخش در ابزارگیر قرار دهید. بطوریکه خود بخود در دستگاه قفل شود.

با کشیدن ابزار از قفل شدن آن مطمئن شوید.

سیستم ابزار دریل مجهز به SDS-plus، به گونه ای است که این ابزار آزادانه قابلیت حرکت دارند. به این ترتیب در حالت بدون بار یک گردش دورانی نامنظم انجام میگیرد. این مسئله هیچگونه تأثیری بر روی دقیق بودن مته کاری و سوراخ مته ندارد. زیرا مته در هنگام سوراخ کردن بطور اتوماتیک در مرکز سوراخ قرار میگیرد.

نحوه برداشتن (پیاده کردن) ابزار دریل مجهز به SDS-plus (رجوع شود به تصویر G)

سربش قفل 5 را بطرف عقب کشیده و ابزار روی دستگاه را بردارید.

نحوه قرار دادن و جاگذاری ابزار دریل بدون SDS-plus (GBH 2-26 E/RE/DE/DRE)

توجه: ابزار دریل بدون SDS-plus را برای دریل کاری چکشی و یا قلم کاری بکار نبرید! ابزار بدون SDS-plus و سه نظام آنها به هنگام دریل کاری چکشی و قلم کاری (قلم زنی) دچار آسیب دیدگی میشوند.

سه نظام معمولی (دندانه ای) 16 را جاگذاری کنید (رجوع شود به «نحوه تعویض سه نظام معمولی (دندانه ای)»، صفحه 75).

سه نظام معمولی (دندانه ای) 16 را با چرخاندن آن تا حدی باز کنید که بتوان ابزار را داخل آن قرار داد. ابزار را قرار دهید.

آچار سه نظام را داخل سوراخ های مربوطه سه نظام معمولی 16 قرار بدهید و ابزار را بطور یکنواخت مهار کنید.

کلید تنظیم ضربه و توقف چرخش 11 را بچرخانید و آنرا در وضعیت «سوراخ کردن» قرار بدهید.

نحوه برداشتن (پیاده کردن) ابزار دریل بدون SDS-plus (GBH 2-26 E/RE/DE/DRE)

روکش (مهره) سه نظام معمولی (دندانه ای) 16 را به کمک آچار سه نظام خلاف جهت حرکت عقربه ساعت بچرخانید تا بتوان ابزار دریل را برداشت.

نحوه قرار دادن و جاگذاری ابزار دریل بدون SDS-plus (GBH 2-26 DFR) (رجوع شود به تصویر H)

توجه: ابزار دریل بدون SDS-plus را برای دریل کاری چکشی و یا قلم کاری بکار نبرید! ابزار بدون SDS-plus و سه نظام آنها به هنگام دریل کاری چکشی و قلم کاری (قلم زنی) دچار آسیب دیدگی میشوند.

سه نظام اتوماتیک قابل تعویض سریع 1 را جاگذاری کنید.

حلقه مهار کننده 20 سه نظام اتوماتیک قابل تعویض سریع را محکم نگهدارید. ابزارگیر را با چرخاندن مهره آداپتور جلویی 19 تا حدی باز کنید که بتوان ابزار مته را در داخل آن قرار دهید. حلقه مهار کننده 20

را محکم نگهدارید و مهره جلویی 19 را بطور محکم در جهت فلش به نحوی بچرخانید تا صدای جا افتادن آن بطور واضح شنیده شود.

با کشیدن ابزار قرارگرفتن و ننسست صحیح آن را امتحان کنید.

توجه: چنانچه ابزارگیر تا نقطه ایست باز شده باشد، امکان شنیدن صدائی هنگام بستن (پیچ کردن) ابزارگیر وجود دارد و ابزارگیر بسته نمیشود. در اینصورت مهره آداپتور جلویی 19 را یکبار خلاف جهت فلش بچرخانید. پس از آن میتوان ابزارگیر را بست.

کلید تنظیم ضربه و توقف چرخش 11 را بچرخانید و آنرا در وضعیت «سوراخ کردن» قرار بدهید.

نحوه برداشتن (پیاده کردن) ابزار دریل بدون SDS-plus (GBH 2-26 DFR) (رجوع شود به تصویر I)

حلقه مهار کننده 20 سه نظام اتوماتیک قابل تعویض سریع را محکم نگهدارید. ابزارگیر را با چرخاندن مهره آداپتور جلویی 19 در جهت فلش تا حدی باز کنید که بتوان ابزار مته را برداشت.

- 15 پیچ ایمنی برای سه نظام معمولی (سه نظام دندانه ای)*
 16 سه نظام معمولی (دندانه ای)*
 17 آداپتور (تبدیل) برای سه نظام مجهز به SDS-plus*
 18 دهانه سه نظام (GBH 2-26 DFR)
 19 (مهره) آداپتور جلویی سه نظام اتوماتیک قابل تعویض سریع (GBH 2-26 DFR)
 20 حلقه نگهدارنده و مهار سه نظام اتوماتیک قابل تعویض سریع (GBH 2-26 DFR)
 21 آداپتور (دهانه) برای ملحقات مکش گرد و غبار (مکنده ثابت)*
 22 پیچ گیره برای ملحقات مکش گرد و غبار (مکنده ثابت)*
 23 تعیین کننده عمق برای ملحقات مکش گرد و غبار (مکنده ثابت)*
 24 لوله تلسکوپ برای ملحقات مکش گرد و غبار (مکنده ثابت)*
 25 پیچ خروسکی برای ملحقات مکش گرد و غبار (مکنده ثابت)*
 26 لوله راهنما برای ملحقات مکش گرد و غبار (مکنده ثابت)*
 27 نگهدارنده یونیورسال با میله مجهز به SDS-plus*

* کلیه متعلقاتی که در تصویر و یا در متن آمده است، در محدوده عرضه بطور استاندارد نمی باشند.

نحوه انتخاب ابزار دریل و سه نظام

برای دریل کاری چکشی و قلم کاری (قلم زنی) به ابزار مجهز به SDS-plus احتیاج دارید که در سه نظام مجهز به SDS-plus قرار داده شود.

برای سوراخ کردن بدون ضربه چوب، فلز، سرامیک و پلاستیک و همچنین برای پیچ زنی و قلاویز کاری، ابزار بدون SDS-plus بکار برده میشوند (از جمله مته دنباله استوانه ای). برای این ابزار به یک سه نظام اتوماتیک قابل تعویض سریع و یا سه نظام معمولی (دندانه ای) نیاز دارید.

توجه: ابزار دریل بدون SDS-plus را برای دریل کاری چکشی و یا قلم کاری بکار نبرید! ابزار بدون SDS-plus و سه نظام آنها به هنگام دریل کاری چکشی و قلم کاری (قلم زنی) دچار آسیب دیدگی میشوند.

GBH 2-26 DFR: سه نظام قابل تعویض سریع 2 مجهز به SDS-plus را میتوان به راحتی با سه نظام اتوماتیک قابل تعویض سریع 1 تعویض نمود.

نصب

◀ پیش از انجام هرگونه کاری بر روی ابزار الکتریکی، دوشاخه آنرا از پریز برق بیرون بکشید.

نحوه تعویض سه نظام معمولی (دندانه ای) (GBH 2-26 E/RE/DE/DRE)

برای اینکه بتوان ابزارهای بدون SDS-plus (بطور مثال مته دنباله استوانه ای) بکار برده شوند، باید یک سه نظام مناسب را مونتاژ کنید (سه نظام معمولی و یا سه نظام اتوماتیک قابل تعویض سریع، متعلقات).

نحوه مونتاژ سه نظام معمولی (دندانه ای)

(رجوع شود به تصویر C)

میله آداپتور 17 مجهز به SDS-plus را در یک سه نظام معمولی (دندانه ای) 16 پیچ کنید. سه نظام معمولی 16 را به وسیله پیچ ایمنی 15 مهار کنید. توجه داشته باشید که پیچ ایمنی دارای رزوه چپ میباشد.

نحوه قرار دادن و جاگذاری سه نظام معمولی (دندانه ای)

(رجوع شود به تصویر C)

شفت آداپتور را تمیز و قسمت انتهایی آنرا کمی چرب کنید.

شفت آداپتور سه نظام معمولی (دندانه ای) را بطور چرخان، داخل ابزارگیر قرار دهید تا اینکه بطور اتوماتیک قفل شود.

با کشیدن سه نظام معمولی، قفل بودن آن را امتحان کنید.

نحوه برداشتن (پیاده کردن) سه نظام معمولی

سرپوش قفل 5 را به طرف عقب فشار دهید و سه نظام معمولی (دندانه ای) 16 را بردارید.

دسته کمکی

◀ از ابزار الکتریکی خود فقط همراه با دسته کمکی 14 استفاده کنید.

نحوه چرخاندن دسته کمکی (رجوع شود به تصویر A)

شما میتوانید دسته کمکی 14 را به اندازه دلخواه بچرخانید. بطوریکه بخوبی کار کرده و کمتر خسته شوید.

بخش انتهایی جای دست در دسته کمکی 14 را برخلاف جهت حرکت عقربه ساعت چرخانده و دسته کمکی 14 را بطرف جهت مطلوب بچرخانید. سپس بخش انتهایی جای دست در دسته کمکی 14 را با چرخاندن در جهت حرکت عقربه ساعت دوباره محکم کنید.

توجه داشته باشید که تسهیم مهار دسته کمکی در شیار موجود در بدنه دستگاه که برای آن در نظر گرفته شده است، قرار بگیرد.

تنظیم عمق سوراخ (رجوع شود به تصویر B)

به کمک محدودکننده عمق سوراخ 13 میتوان عمق مطلوب سوراخ X را تعیین کرد.

دکمه تعیین عمق سوراخ را فشار داده 12 و تنظیم کننده عمق سوراخ را در دسته کمکی 14 قرار دهید.

شیارهای واقع در تنظیم کننده عمق 13 باید به طرف پائین باشند.

2-26 DFR	2-26 DRE	2-26 DE	2-26 RE	2-26 E	دریل چکشی GBH ... Professional
0 611 254 7..	0 611 253 7..	0 611 253 6..	0 611 251 7..	0 611 251 6..	شماره سفارش
●	●	●	●	●	کنترل و تنظیم سرعت
●	●	●	-	-	توقف چرخش
●	●	-	●	-	راست گرد/چپ گرد
●	-	-	-	-	سه نظام قابل تعویض سریع
800	800	800	800	800	قدرت ورودی نامی W
0-4000	0-4000	0-4000	0-4000	0-4000	تعداد ضربه (یا در نظر گرفتن) سرعت نامی min ⁻¹
0-3,0	0-3,0	0-3,0	0-3,0	0-3,0	قدرت تک ضربه J
0-900	0-900	0-900	0-900	0-900	تعداد چرخش اسمی / سرعت نامی min ⁻¹
SDS-plus	SDS-plus	SDS-plus	SDS-plus	SDS-plus	ابزارگیر
50	50	50	50	50	قطر (گلوگاه) محور mm
26	26	26	26	26	حداکثر قطر سوراخ کاری: mm - بتون - قطعات آجری
68	68	68	68	68	mm (با مته نمونه بردار)
13	13	13	13	13	mm - فولاد
30	30	30	30	30	mm - چوب
2,9	2,7	2,7	2,7	2,7	وزن مطابق استاندارد kg EPTA-Procedure 01/2003
II / □	II / □	II / □	II / □	II / □	پایه ایمنی

مقادیر فوق برای ولتاژ نامی U] 230/240 V معتبر و مجاز می باشند. این اندازه ها ممکن است در ولتاژ های پایین تر و مدل های دیگر دستگاه. برای کشورهای دیگر در خصوص آن کشور مربوطه. تغییر کنند.

لطفاً به شماره سفارش روی برچسب ابزار الکتریکی خود توجه کنید. نامهای جاری ابزارهای الکتریکی ممکن است متفاوت باشند.

اجزاء مصور دستگاه

- 6 حلقه قفل کننده سه نظام قابل تعویض سریع (GBH 2-26 DFR)
- 7 دکمه تغییر جهت چرخش (GBH 2-26 RE/DRE/DFR)
- 8 دکمه تثبیت کلید قطع و وصل دستگاه
- 9 کلید قطع و وصل
- 10 دکمه آزاد کننده قفل تنظیم کننده ضربه و توقف چرخش
- 11 دکمه تنظیم کننده ضربه و توقف چرخش
- 12 دکمه تعیین عمق سوراخ
- 13 تنظیم کننده عمق دریل
- 14 دسته کمکی
- 1 شماره های اجزاء دستگاه که در تصویر مشاهده میشود. مربوط به شرح و تصویر ابزار الکتریکی می باشد که تصویر آن در این دفترچه آمده است.
- 1 سه نظام اتوماتیک قابل تعویض سریع (GBH 2-26 DFR)
- 2 سه نظام قابل تعویض سریع مجهز به SDS-plus (GBH 2-26 DFR)
- 3 ابزارگیر مجهز به SDS-plus
- 4 کلاهک محافظت در برابر گرد و غبار
- 5 سرپوش قفل

(b) در صورت ایراد در کلید قطع و وصل ابزار برقی، از دستگاه استفاده نکنید. ابزار الکتریکی که نمی توان آنها را قطع و وصل کرد، خطرناک بوده و باید تعمیر شوند.

(c) قبل از تنظیم ابزار الکتریکی، تعویض متعلقات و یا کنار گذاشتن آن، دوشاخه را از برق کشیده و یا باتری آنرا خارج کنید. رعایت این اقدامات پیشگیری ایمنی از راه افتادن ناخواسته ابزار الکتریکی جلوگیری می کند.

(d) ابزار الکتریکی را در صورت عدم استفاده، از دسترس کودکان دور نگهدارید. اجازه ندهید که افراد نا وارد و یا اشخاصی که این دفترچه راهنما را نخوانده اند، با این دستگاه کار کنند. قرار گرفتن ابزار الکتریکی در دست افراد ناوارد و بی تجربه خطرناک است.

(e) از ابزار الکتریکی خوب مراقبت کنید. مواظب باشید که قسمت های متحرک دستگاه خوب کار کرده و گیر نکنند. همچنین دقت کنید که قطعات ابزار الکتریکی شکسته و یا آسیب دیده نباشند. قطعات آسیب دیده را قبل از شروع به کار تعمیر کنید. علت بسیاری از سوانح کاری، عدم مراقبت کامل از ابزارهای الکتریکی می باشد.

(f) ابزار برش را تیز و تمیز نگهدارید. ابزار برشی که خوب مراقبت شده و از لب های تیز برخوردارند، کمتر درقطعه کار گیر کرده و بهتر قابل هدایت می باشند.

(g) ابزارهای الکتریکی، متعلقات، ابزاری که روی دستگاه نصب می شوند و غیره را مطابق دستورات این جزوه راهنما طوری به کار گیرید که با مدل این دستگاه تناسب داشته باشند. همچنین به شرایط کاری و نوع کار توجه کنید. کاربرد ابزار برقی برای موارد کاری که برای آن در نظر گرفته نشده است، می تواند شرایط خطرناکی را منجر شود.

5 سرویس

(a) برای تعمیر ابزار الکتریکی فقط به متخصصین حرفه ای رجوع کرده و از وسائل یذکی اصل استفاده کنید. این باعث خواهد شد که ایمنی دستگاه شما تضمین گردد.

راهنمایی های ایمنی برای این دستگاه

از گوشه ایمنی استفاده کنید. صدای بلند ممکن است به شنوایی شما آسیب برساند.

از دسته کمکی که به همراه ابزار الکتریکی ارسال میشود، استفاده کنید. از دست دادن کنترل شما روی دستگاه ممکن است، باعث ایجاد جراحت گردد.

برای یافتن لوله های پنهان تأسیسات، از دستگاه های مناسب آن استفاده کنید و در صورت نیاز با شرکت های کارهای تأسیسات ساختمان محلی تماس بگیرید. تماس با سیم های برق میتواند باعث آتشسوزی و یا برق گرفتگی شود. آسیب دیدن لوله گاز می تواند باعث ایجاد انفجار شود. سوراخ شدن لوله آب، باعث خسارت و یا برق گرفتگی میشود.

ابزار الکتریکی را هنگام کار، با هر دو دست محکم گرفته و جایگاه مطمئنی برای خود انتخاب کنید. ابزار الکتریکی را با دو دست بهتر و مطمئن تر میتوان بکار گرفت و آنرا هدایت کرد.

قطع کار را محکم کنید. در صورتیکه قطعه کار به وسیله تجهیزات نگهدارنده و یا بوسیله گیره محکم شده باشد، در اینصورت قطعه کار مطمئن تر نگه داشته میشود، تا اینکه با دست نگهداشته شود.

از کار کردن با مواد آزیست دار خودداری کنید. آزیست سرطانی می باشد.

در صورتیکه هنگام کار، گرد و غبارهایی ایجاد می شوند که برای سلامتی مضر بوده، قابل احتراق و یا قابل انفجار هستند، در این صورت باید اقدامات ایمنی لازم جهت پیشگیری را انجام دهید. بطور مثال: بعضی از گرد و غبارها سرطانی را می باشند. در اینصورت باید از ماسک ایمنی استفاده کرده و در صورت امکان تکنیکی از دستگاه مکش گرد و یا خاکه اره استفاده کنید.

محل کار خود را تمیز نگهدارید. مخلوط شدن مواد با یکدیگر بسیار خطرناک است. گرد فلزات سبک، ممکن است باعث حریق و یا انفجار شود.

قبل از کنار گذاشتن دستگاه صبر کنید تا ابزار الکتریکی از کار بایستد. ابزار قرار گرفته روی دستگاه ممکن است به قطعه کار گیر کرده و کنترل دستگاه الکتریکی از دست شما خارج شود.

در صورتیکه کابل ابزار الکتریکی آسیب دیده باشد، از آن استفاده نکنید. از دست زدن به کابل آسیب دیده خود داری کرده و در صورت آسیب دیدن کابل دستگاه در حین کار، آنرا از پریز برق بیرون آورید. کابل های آسیب دیده، خطر برق گرفتگی را افزایش میدهند.

تشریح عملکرد دستگاه



کلید دستورات ایمنی و راهنمایی ها را مطالعه کنید. اشتباهات ناشی از عدم رعایت این دستورات ایمنی ممکن است باعث برق گرفتگی، سوختگی و یا سایر جراحات های شدید شود.

لطفاً صفحه تا شده این دفترچه راهنما را که حاوی تصویر دستگاه است، باز کنید و هنگام خواندن این دفترچه راهنما، آنرا باز نگهدارید.

موارد استفاده از دستگاه

GBH 2-26 E/RE

این ابزار برقی برای دریل کاری چکشی بتون، آجر و سنگ در نظر گرفته شده است. این وسیله همچنین برای سوراخ کردن بدون ضربه چوب، فلز، سرامیک و پلاستیک هم مناسب میباشد. ابزارهای برقی با کنترل الکترونیکی و حرکت راست گرد و چپ گرد برای پیچ زنی و قلاویز کاری نیز مناسب هستند.

GBH 2-26 DE/DRE/DFR

این ابزار برقی برای دریل کاری چکشی بتون، آجر و سنگ و همچنین برای قلم کارهای سبک مناسب است. این وسیله همچنین برای سوراخ کردن بدون ضربه چوب، فلز، سرامیک و پلاستیک نیز مناسب میباشد. ابزارهای برقی با کنترل الکترونیکی و حرکت راست گرد و چپ گرد برای پیچ زنی و قلاویز کاری نیز مناسب هستند.

راهنمائی های ایمنی عمومی برای

ابزارهای الکتریکی



همه دستورات ایمنی و راهنمائی ها را بخوانید. اشتباهات ناشی از عدم رعایت این دستورات ایمنی

مکن است باعث برق گرفتگی، سوختگی و یا سایر جراحات های شدید شود.

همه هشدار های ایمنی و راهنمائی ها را برای آینده خوب نگهداری کنید.

هرجا در این راهنما از «ابزار الکتریکی» صحبت میشود. منظور ابزارهای الکتریکی (باسیم برق) و یا ابزارهای الکتریکی باطری دار (بدون سیم برق) می باشد.

1) ایمنی محل کار

(a) محل کار خود را تمیز، مرتب و مجهز به نور کافی نگهدارید. محیط کار نامرتب و کم نور میتواند باعث سوانح کاری شود.

(b) با ابزار الکتریکی در محیط هایی که در آن خطر انفجار وجود داشته و حاوی مایعات، گازها و غبارهای محترقه باشد، کار نکنید. ابزارهای الکتریکی جرقه هایی ایجاد میکنند که می توانند باعث آتش گرفتن گرد و بخارهای موجود در هوا شوند.

(c) هنگام کار با ابزار الکتریکی، کودکان و سایر افراد را از دستگاه دور نگهدارید. در صورتیکه حواس شما پرت شود. مکن است کنترل دستگاه از دست شما خارج شود.

2) ایمنی الکتریکی

(a) دوشاخه ابزار الکتریکی باید با پریز برق تناسب داشته باشد. هیچگونه تغییری در دوشاخه ندهید. مبدل دوشاخه نباید همراه با ابزار الکتریکی دارای اتصال به زمین (ارت شده) استفاده شود. دوشاخه های اصل و تغییر داده نشده و پریزهای مناسب، خطر شوک الکتریکی و برق گرفتگی را کم می کنند.

(b) از تماس بدنی با قطعات دارای سیم اتصال به زمین (ارت شده) مانند لوله، شوفاژ، اجاق برقی و یخچال خود داری کنید. در صورتیکه بدن شما با سیم دارای اتصال به زمین (ارت شده) تماس پیدا کند. خطر برق گرفتگی بیشتر خواهد شد.

(c) دستگاه را از باران و رطوبت دور نگهدارید. نفوذ آب به ابزار الکتریکی، خطر شوک الکتریکی را افزایش میدهد.

(d) از سیم دستگاه برای کارهایی چون حمل ابزار الکتریکی، آویزان کردن آن و یا خارج کردن دوشاخه از برق استفاده نکنید. کابل دستگاه را در مقابل حرارت، روغن، لبه های تیز و بخش های متحرک دستگاه دور نگهدارید. کابل های آسیب دیده و یا گره خورده خطر شوک الکتریکی را افزایش میدهند.

(e) در صورتیکه با ابزار الکتریکی در محیط باز کار میکنید، تنها از کابل رابطی استفاده کنید که برای محیط باز نیز مناسب باشد. کابل های رابط مناسب برای محیط باز خطر برق گرفتگی را کم می کنند.

(f) در صورت لزوم کار با ابزار الکتریکی در محیط و اماکن مرطوب، در اینصورت باید از یک کلید حفاظتی جریان خطا و نشستی زمین (کلید قطع کننده اتصال با زمین) استفاده کنید. استفاده از کلید حفاظتی جریان خطا و نشستی زمین خطر برق گرفتگی را کمتر می کند.

3) رعایت ایمنی اشخاص

(a) حواس خود را خوب جمع کنید. به کار خود دقت کنید و با فکر و هوش کامل با ابزار الکتریکی کار کنید. در صورت خستگی و یا در صورتیکه مواد مخدر، الکل و دارو استفاده کرده اید، با ابزار الکتریکی کار نکنید. یک لحظه بی توجهی هنگام کار با ابزار الکتریکی، میتواند جراحات های شدیدی به همراه داشته باشد.

(b) از تجهیزات ایمنی شخصی و از عینک ایمنی همواره

استفاده کنید. استفاده از تجهیزات ایمنی مانند ماسک ایمنی، کفش های ایمنی ضد لغزش، کلاه ایمنی و گوشی ایمنی متناسب با نوع کار با ابزار الکتریکی، خطر مجروح شدن را تقلیل میدهد.

(c) مواظب باشید که ابزار الکتریکی بطور ناخواسته بکار

نیفتد. قبل از وارد کردن دوشاخه دستگاه در پریز برق، اتصال آن به باطری، برداشتن آن و یا حمل دستگاه، باید دقت کنید که ابزار الکتریکی خاموش باشد. در صورتیکه هنگام حمل دستگاه انگشت شما روی دکمه قطع و وصل باشد و یا دستگاه را در حالت روشن به برق بزنید، مکن است سوانح کاری پیش آید.

(d) قبل از روشن کردن ابزار الکتریکی، باید همه ابزارهای

تنظیم کننده و آچارها را از روی دستگاه بردارید. ابزار و آچارهایی که روی بخش های چرخنده دستگاه قرار دارند. میتوانند باعث ایجاد جراحات شوند.

(e) وضعیت بدن شما باید در حالت عادی قرار داشته باشد.

برای کار جای مطمئنی برای خود انتخاب کرده و تعادل خود را همواره حفظ کنید. به این ترتیب می توانید ابزار الکتریکی را در وضعیت های غیر منتظره بهتر تحت کنترل داشته باشید.

(f) لباس مناسب بپوشید. از پوشیدن لباس های فراخ و حمل

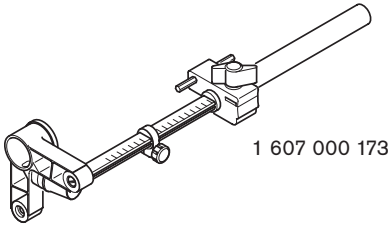
زینت آلات خود داری کنید. موها، لباس و دستکش ها را از بخش های درحال چرخش دستگاه دور نگهدارید. لباس های فراخ، موی بلند و زینت آلات مکن است در قسمت های درحال چرخش دستگاه گیر کنند.

(g) در صورتیکه میتوانید وسایل مکش گرد و غبار و یا وسیله

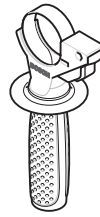
جذب زائده را به دستگاه نصب کنید. باید مطمئن شوید که این وسایل نصب و درست استفاده می شوند. استفاده از وسایل مکش گرد و غبار مصونیت شما را در برابر گرد و غبار زیاد تر میکند.

4) استفاده صحیح از ابزار الکتریکی و مراقبت از آن

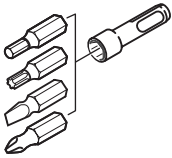
(a) از وارد کردن فشار زیاد روی دستگاه خود داری کنید. برای هر کاری، از ابزار الکتریکی مناسب با آن استفاده کنید. بکار گرفتن ابزار الکتریکی مناسب باعث میشود که بتوانید از توان دستگاه بهتر و با اطمینان بیشتر استفاده کنید.



1 607 000 173



2 602 025 141



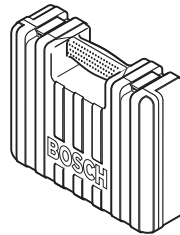
2 607 000 207



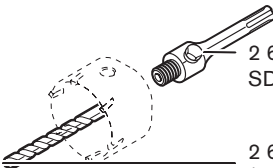
1 613 001 010



2 608 550 074 (Ø 40 mm)
2 608 550 075 (Ø 50 mm)
2 608 550 076 (Ø 68 mm)



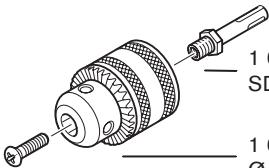
2 605 438 098



2 608 550 057
SDS-plus

2 608 596 157
(Ø 8 mm)

GBH 2-26 E/RE/DE/DRE



1 617 000 132
SDS-plus

1 608 571 062
Ø 1,5–13 mm



1 607 950 045

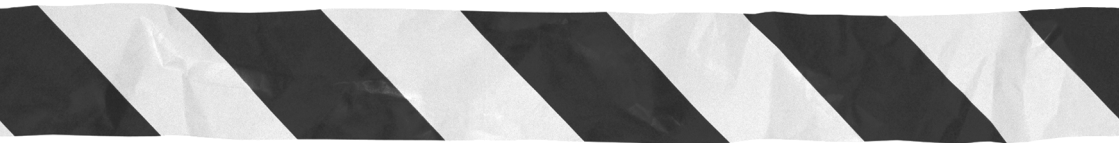
GBH 2-26 DFR



2 608 572 212
Ø 50 mm



2 608 572 213
SDS-plus
Ø 50 mm



BOSCH

Robert Bosch GmbH
Power Tools Division
70745 Leinfelden-Echterdingen
www.bosch-pt.com

1 619 929 728 (07.02) T / 80