

**Ordering number** C11889_STRADA-SQ-T-DN

Family	Strada-SQ	FWHM	Asym degrees
Type	Lens	Efficiency	(simulated) 0 %
LED	LUXEON A	cd/lm	-
Color	Clear	Gerber File	Available
Diameter	25 + 25 mm		
Height	7.9 mm		
Style	Square		
Optic Material	PMMA		
Holder Material	-		
Fastening	Screw, pin, glue		
Status	Ready		

NOTE: The typical divergence will be changed by different color, chip size and chip position tolerance. The typical total divergence is the full angle measured where the luminous intensity is half of the peak value.



PRODUCT DATASHEET Strada-SQ series

last update 10/9/2012

PHILIPS
LUMILEDS

GENERAL INFORMATION

- Product series especially designed & optimized for LUXEON A series of LEDs.
- Special care taken to make light distribution as uniform as possible.
- Lens material optical grade PMMA with high UV and temperature resistance. Allows use of high current and temperature conditions.

Please find more information about used material from below:

http://ledil.fi/sites/default/files/Documents/Technical/Material/PMMA%20N%20UL94_Yellow%20Card.pdf

<http://ledil.fi/sites/default/files/Documents/Technical/Material/PMMA%20N%20PLEXIGLAS-Datasheet.pdf>

D

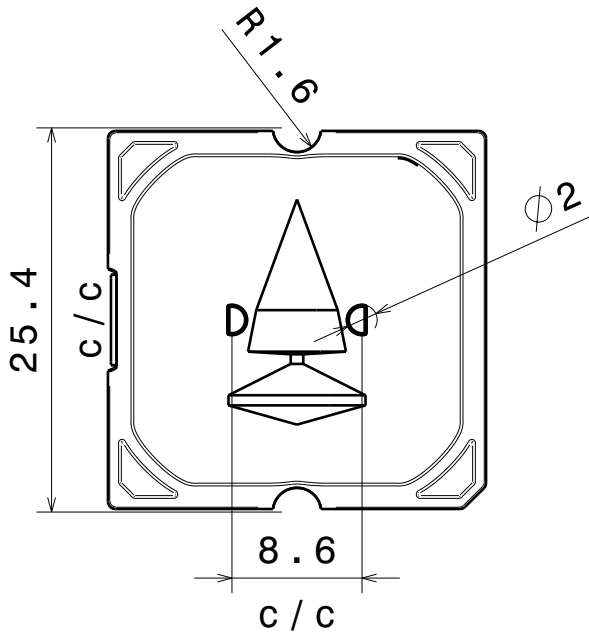
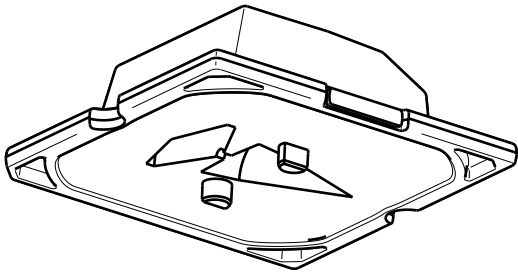
C

B

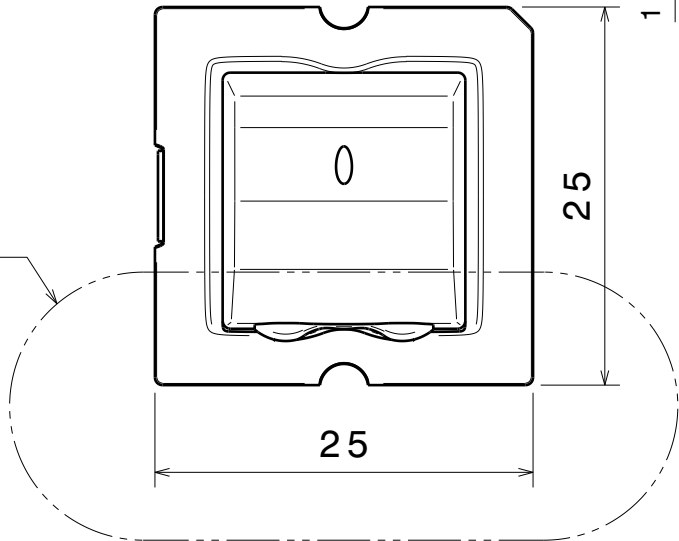
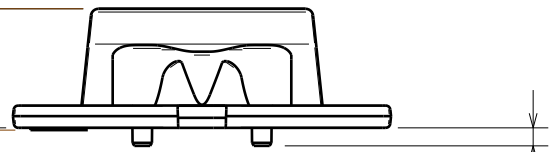
A

4

4



8.05
with Tape
7.9



Beam direction

3

3

2

2

Part no.s:
C11889_Strada-SQ-T-DN-XM-L

Part no.s with tape:
CA11890_Strada-SQ-T-DN-XM-L-TAPE

MATERIALS
Lens: PMMA
Tape(optional): PU Foam

This drawing is our property.
It can't be reproduced
or communicated without
our written agreement.



Ledil Oy
Tehdaskatu 13
FIN-24100 SALO
Finland

DRAWING TITLE

Datasheet Strada-SQ-T-DN-XM-L Lens

1

1

DRAWN BY mav	DATE 01.12.2010
-----------------	--------------------

CHECKED BY pv	DATE 01.12.2010
------------------	--------------------

DESIGNED BY hh	DATE 01.12.2010
-------------------	--------------------

SIZE A4	DRAWING NUMBER C11889	REV 1
SCALE 2:1	WEIGHT (g)	SHEET 1/1

D

A