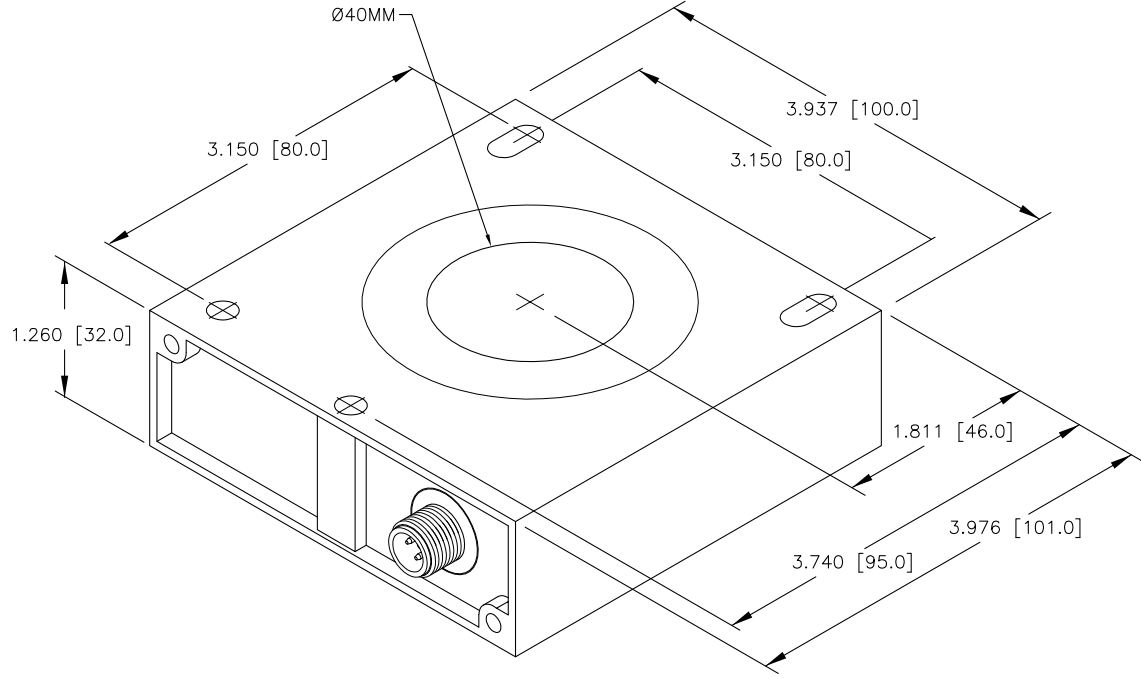
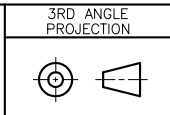


SPECIFICATIONS

INTERIOR RING DIAMETER	40mm
DIAMETER OF STEEL WIRE	≥ 1mm
PULSE PAUSE	≥ 5ms
PULSE LENGTH AT OUTPUT	≥ 100ms ± 20%
OPERATING TEMPERATURE	-25°C to +70°C (-13°F to +158°F)
HOUSING MATERIAL	PLASTIC, ABS
COIL FORM	PLASTIC, ABS
DEGREE OF PROTECTION	IP65



- RELATED DOCUMENTS
- 1.
 - 2.
 - 3.
 - 4.



THIS DRAWING IS PROPERTY OF TURCK INC. USE OF THIS DOCUMENT WITHOUT WRITTEN PERMISSION IS PROHIBITED.

TURCK INC
High Technology Sensors and Automation Controls

3000 CAMPUS DRIVE
 MINNEAPOLIS, MN 55441
 1-800-544-7769
 (763) 553-7300
 (763) 553-0708 fax
 turck.com

MATERIAL
 PLASTIC
 PBT-GF30-V0

ALL DIMENSIONS DISPLAYED ON THIS DRAWING ARE FOR REFERENCE ONLY

DRFT	RDS	DATE	04/05/04
DSGN	BT	SCALE	1=1.5

DESCRIPTION
 Ni40R-

FINISH

CONTACT TURCK FOR MORE INFORMATION

UNIT OF MEASUREMENT
INCH [MILLIMETER]
 DO NOT SCALE THIS DRAWING

IDENTIFICATION NO.	REV
M1430101	A

A	DRAWING RELEASE	RDS	04/05/04	
REV	DESCRIPTION	BY	DATE	ECO NO.