



Datasheet

ELECTRIC LOCKING SYSTEMS

RS Mini Magnets

RS Stock No. 7748229

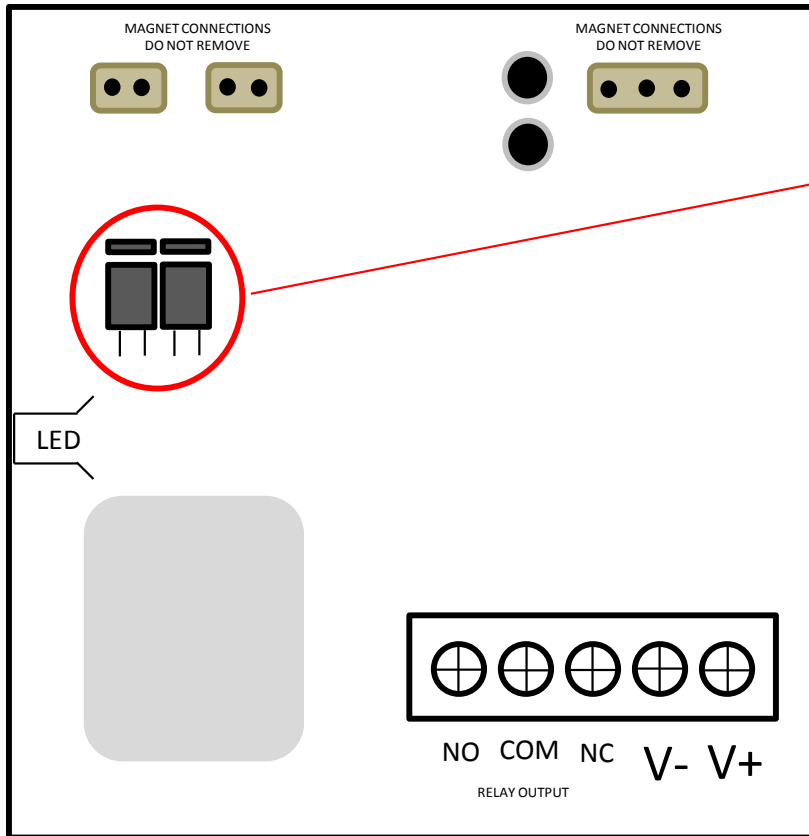
- Operating voltage: 12 or 24Vdc
- Aluminium
- Current draw: 500mA at 12Vdc
250mA at 24Vdc (at temperature 20°C)
- Magnetic bond sensor monitor output remotely monitors the door lock or unlock status. (N.C.Output-Door opened; N.O. Output-door closed) (SPDT rated 3A at 12Vdc)
- Status LED lights
- Operating temperature: -10 to 55°C (14 to 131°F)
- Humidity: 0 to 95% non-condensing
- Lock's surface temperature: Current temperature $\pm 20\%$ (when power is on)
- Holding force: Up to 600lbs (272kg)
- Weight: 2.0kg (approx)



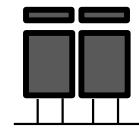
DIMENSIONS	LENGTH	WIDTH	DEPTH
Magnet	250	42	26
Armature Plate	185	38	12

All dimensions in mm

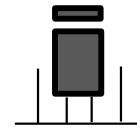
A-10002 CONNECTIONS



VOLTAGE JUMPER SETTINGS



12Vdc



24Vdc