

## Electronic housing - UM-SE-A73 - 2955603

Please be informed that the data shown in this PDF Document is generated from our Online Catalog. Please find the complete data in the user's documentation. Our General Terms of Use for Downloads are valid (<http://download.phoenixcontact.com>)

Side element, tall version, for closing both ends of the base element UM-BEFE, for 73 mm wide U-shaped profile cover



The illustration shows a combination of versions UM-SE-1, UM 16,5-1 BE, UM-BE 35-1, UM-BEFE 35-1, UM-SE-A 60-R and UM-A/U 73 CM



### Key commercial data

Packing unit	10 pc
Minimum order quantity	10 pc
GTIN	 4 017918 085575
Weight per Piece (excluding packing)	13.76 g
Custom tariff number	85369010
Country of origin	Poland

### Technical data

Product type	Panel mounting base side part
Approval	UL Recognized

### Classifications

eCl@ss

eCl@ss 4.0	27180401
eCl@ss 4.1	27180401
eCl@ss 5.0	27180506
eCl@ss 5.1	27180506
eCl@ss 6.0	27180802
eCl@ss 7.0	27182701
eCl@ss 8.0	27182701

# Electronic housing - UM-SE-A73 - 2955603

## Classifications

### ETIM

ETIM 2.0	EC001031
ETIM 3.0	EC001031
ETIM 4.0	EC001031
ETIM 5.0	EC000721

### UNSPSC

UNSPSC 6.01	31261501
UNSPSC 7.0901	31261501
UNSPSC 11	31261501
UNSPSC 12.01	31261501
UNSPSC 13.2	31261501

## Approvals

### Approvals

---

Approvals

UL Recognized

---

Ex Approvals

---

Approvals submitted

---

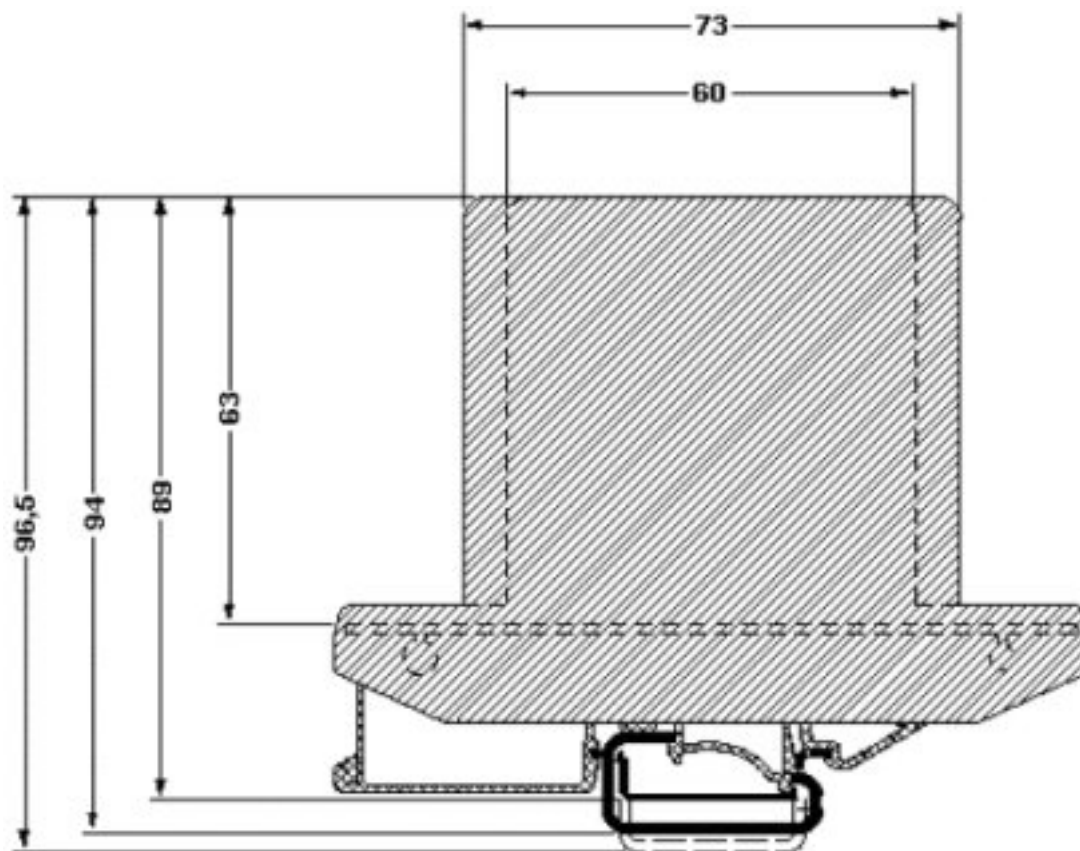
### Approval details



## Drawings

## Electronic housing - UM-SE-A73 - 2955603

Dimensioned drawing



# Electronic housing - UM-SE-A73 - 2955603

Dimensioned drawing

