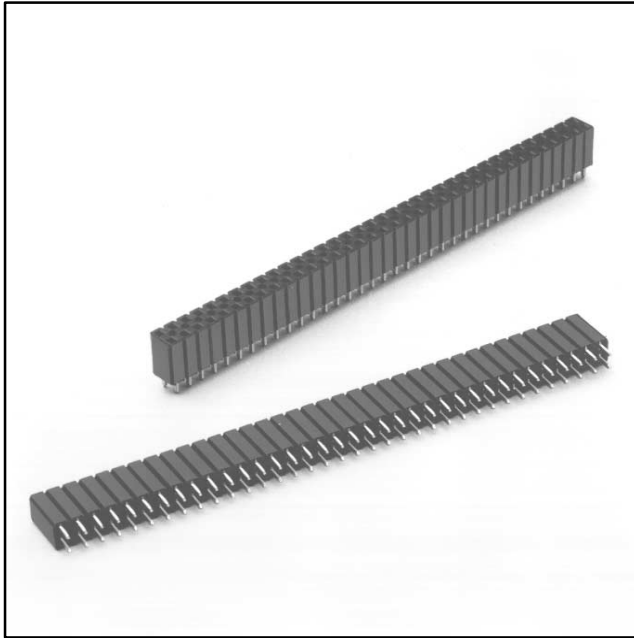


.100" and .100" x .100" Boardmount Socket

Straight, Solder Tails

929 Series



320

Date Modified: February 22, 2002

TS-0815-05
Sheet 1 of 2

Physical

Insulation

Material: Glass Filled Polyester (PBT)
Flammability: UL 94V-0
Color: Black

Contact

Material: Copper Alloy

Plating

Gold

Underplating: 100 μ " [2.54 μ m] Nickel — QQ-N-290, Class 2
Wiping Area: See ordering information options for thickness
Solder Tails: Tin Lead (4 Sided) — Mil-P-81728

Tin Lead

Underplating: 100 μ " [2.54 μ m] Nickel — QQ-N-290, Class 2 (2 sided Pre-Plated)
Wiping Area: Copper Alloy
Solder Tails: Tin Lead (2 Sided Pre-Plate) — Mil-P-81728

Electrical

Current Rating: 1 A
Insulation Resistance: $> 5 \times 10^9 \Omega$ at 500 Vdc
Withstanding Voltage: 1500 Vrms at Sea Level

Environmental

Temperature Rating: -40°C to 105°C

UL File No.: E68080

3M Interconnect Solutions Division

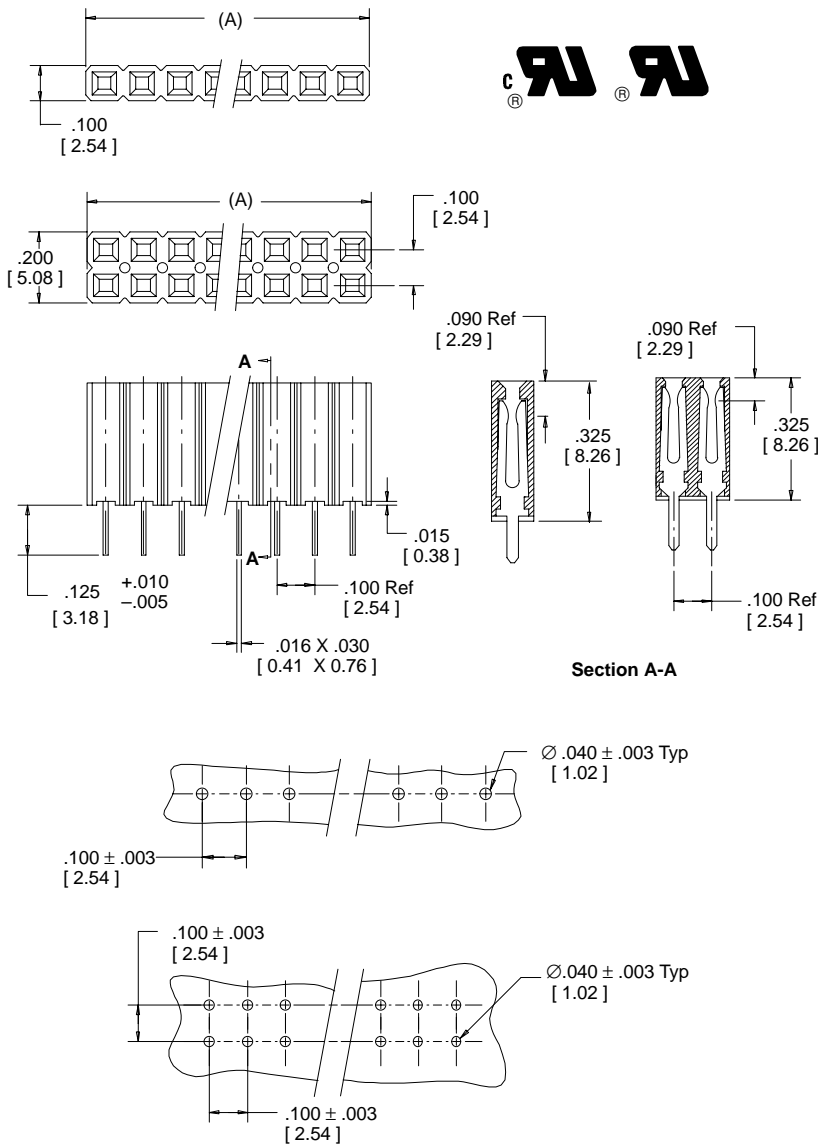
6801 River Place Blvd.
Austin, TX 78726-9000

For technical, sales or ordering information call
800-225-5373

.100" and .100" × .100" Boardmount Socket

Straight Solder Tails

929 Series



Contact Quantity Code	Contact Quantity 1 Row	Contact Quantity 2 Row	Dimension A (Reference Only)
02	02	04	0.20 [5.08]
03	03	06	0.30 [7.62]
04	04	08	0.40 [10.16]
05	05	10	0.50 [12.70]
06	06	12	0.60 [15.24]
07	07	14	0.70 [17.78]
08	08	16	0.80 [20.32]
09	09	18	0.90 [22.86]
10	10	20	1.00 [25.40]
11	11	22	1.10 [27.94]
12	12	24	1.20 [30.48]
13	13	26	1.30 [33.02]
14	14	28	1.40 [35.56]
15	15	30	1.50 [38.10]
16	16	32	1.60 [40.64]
17	17	34	1.70 [43.18]
18	18	36	1.80 [45.72]
19	19	38	1.90 [48.26]
20	20	40	2.00 [50.80]
21	21	42	2.10 [53.34]
22	22	44	2.20 [55.88]
23	23	46	2.30 [58.42]
24	24	48	2.40 [60.96]
25	25	50	2.50 [63.50]
26	26	52	2.60 [66.04]
27	27	54	2.70 [68.58]
28	28	56	2.80 [71.12]
29	29	58	2.90 [73.66]
30	30	60	3.00 [76.20]
31	31	62	3.10 [78.74]
32	32	64	3.20 [81.28]
33	33	66	3.30 [83.82]
34	34	68	3.40 [86.36]
35	35	70	3.50 [88.90]
36	36	72	3.60 [91.44]
40	N/A	80	4.00 [101.60]

Recommended Mounting Hole Patterns
(Shown for Mounting Side of Board)

Notes:

- Maximum recommended mating header pin length is .25 [6.4].
- Recommended to be mated to the .100 [2.54] X .100 [2.54] pin strip headers: 2400 series, 929 series and 2300 series.

Inch [mm]			
Tolerance Unless Noted			
	.0	.00	.000
Inch	± .1	± .01	± .005

[] Dimensions for Reference only

Ordering Information

9X9XXX-01-XX-XX

Board Mounting Option:
2 = Standard Product Without Kinked Tail
R = With Kinked Tail Board Retention Feature

1 Row Plating Options:
850 = Gold
974 = 100 μ" [2.54 μm] Tin Lead

2 Row Plating Options*
852 = Gold
975 = 100 μ" [2.54 μm] Tin Lead

Contact Quantity Code see table.

Gold Plating Thickness on Wiping Area:
10 = 10 μ" [0.25 μm]
30 = 30 μ" [0.76 μm]

(No entry required for Tin Lead plating)

TS-0815-05
Sheet 2 of 2

3M Interconnect Solutions Division

6801 River Place Blvd.
Austin, TX 78726-9000

For technical, sales or ordering information call
800-225-5373