

DV 6224

DC diagonal compact fan

sickled blades (S series)



ebm-papst St. Georgen GmbH & Co. KG

Hermann-Papst-Str. 1

D-78112 St. Georgen

Phone +49 (0) 7724 81-0

Fax +49 (0) 7724 81-1309

info2@de.ebmpapst.com

www.ebmpapst.com

Nominal data

Type	DV 6224	
Nominal voltage	VDC	24
Nominal voltage range	VDC	16 .. 28
Speed	min ⁻¹	4300
Power input	W	40.0
Min. ambient temperature	°C	-20
Max. ambient temperature	°C	75
Air flow	m ³ /h	540
Sound power level	B	7.1
Sound pressure level	dB(A)	63

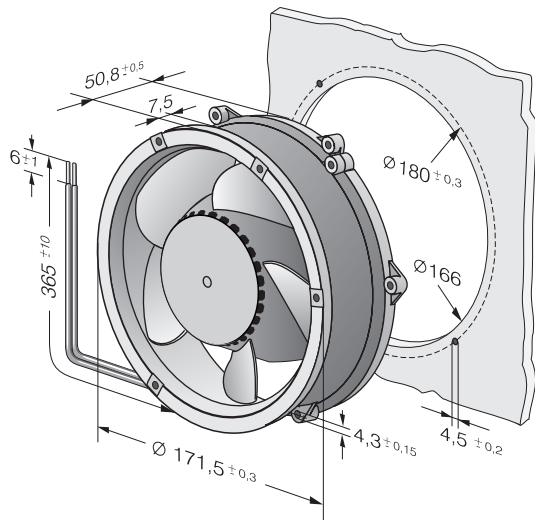
ml = Max. load · me = Max. efficiency · fa = Running at free air · cs = Customer specs · cu = Customer unit
Subject to alterations



Technical features

Mass	0.820 kg
Dimensions	172 Ø x 51 mm
Material of impeller	Fiberglass-reinforced PA plastic
Housing material	Aluminum. Housing with grounding lug for screw M4 x 8 (TORX).
Direction of air flow	Air exhaust over bars
Direction of rotation	Left, looking at rotor
Bearing	Ball bearings
Lifetime L10 at 40 °C	90000 h
Lifetime L10 at maximum temperature	40000 h
Connection line	Single strands AWG 22, TR 64, bared and tin-plated.
Motor protection	Protected against reverse polarity and locking.
Locked-rotor protection	Electronic blocking protection, with electronic motor current limit in the startup phase and when the rotor is blocked.
Approval	VDE, CSA, UL, CE

Product drawing



Charts: Air flow

