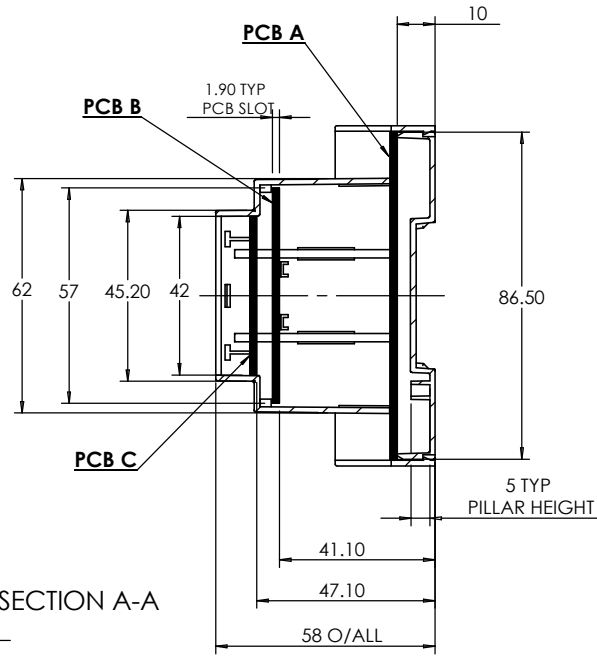
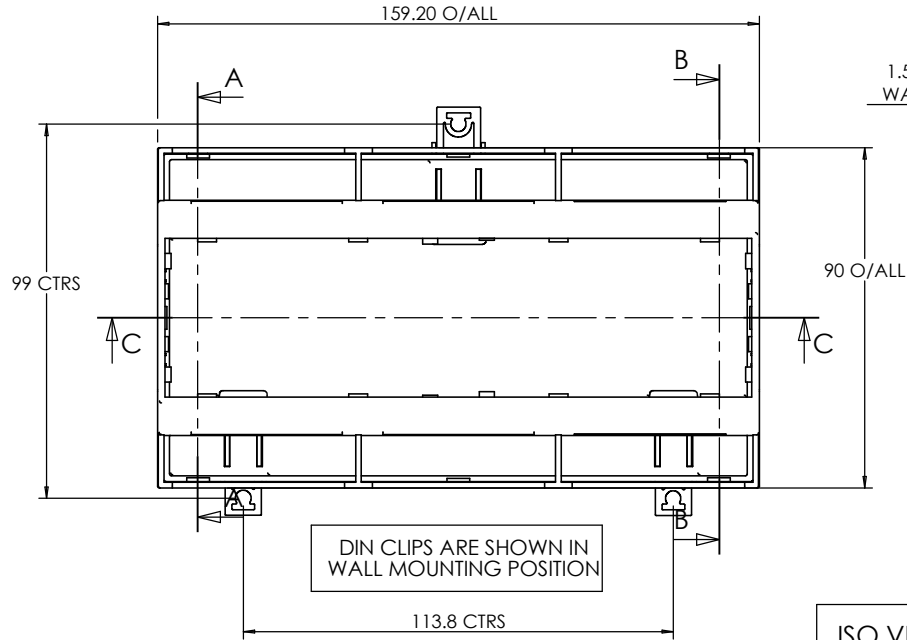


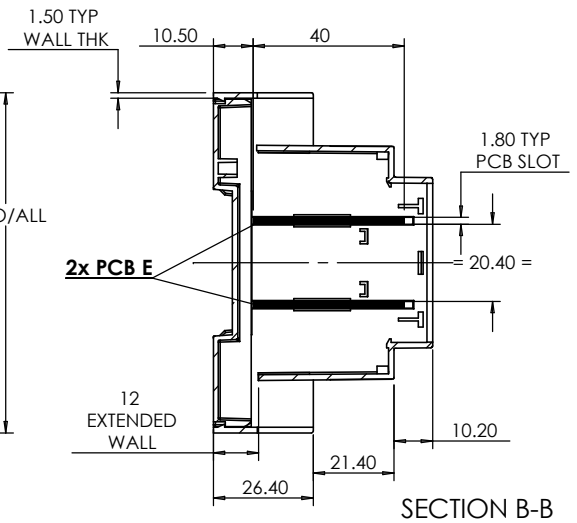
ASSEMBLY



SECTION A-A

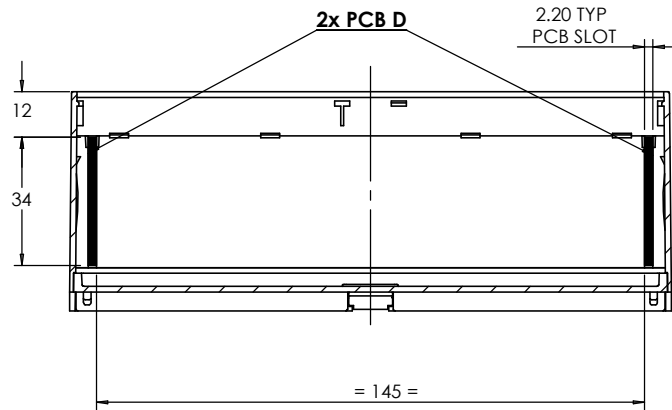
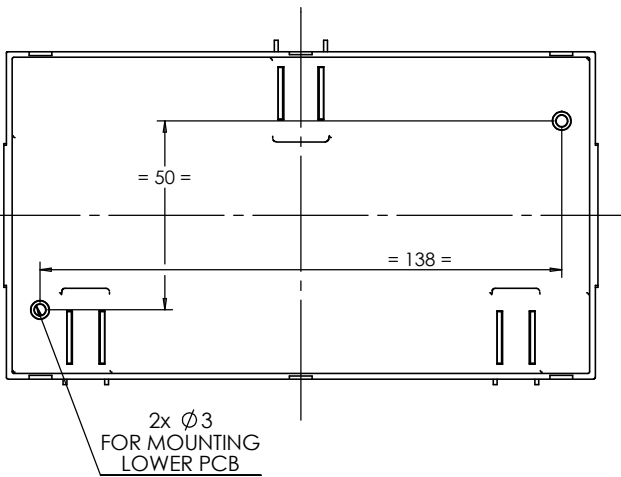


DIN CLIPS ARE SHOWN IN WALL MOUNTING POSITION



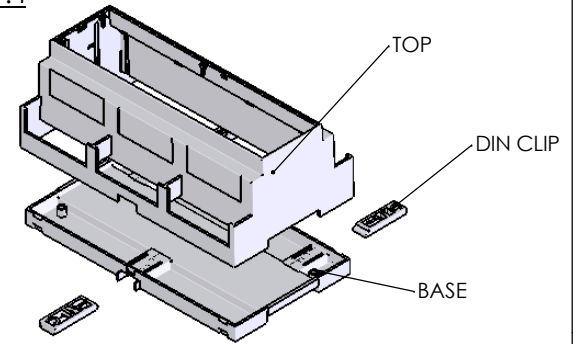
SECTION B-B

BASE



SECTION C-C

ISO VIEW
1:4



PCB DIMENSIONS (mm)	
A	86.5 x 155
B	57 x 155.4
C	42 x 154
D	34 x 59.6
E	40 x 155

 JAMES CARTER RD, MILDENHALL, SUFFOLK. IP28 7DE TEL: 01638 716101 FAX: 01638 716554 EMAIL: Sales@CamdenBoss.com WEB: www.CamdenBoss.com				UNLESS OTHERWISE SPECIFIED: DIMENSIONS ARE IN MILLIMETERS		DO NOT SCALE DRAWING		REVISION: 0		
				FINISH: SMOOTH		TITLE: GNL ASSY DRG FOR CNMB SERIES				
DRAWN: L. SUBKHANKULOVA		SIGNED: LS		DATE: 24/03/10		MATERIAL: UV94-V0 PC		DWG NO. CNMB-9W-2		A4
CHK'D: STUART HARDINGE		SIGNED: SJH		DATE: 24/03/10		PROJECTION:		SCALE: 1:2		SHEET 1 OF 1