

**Ordering number FA11905\_TINA3-S**

Family	Tina3	FWHM	16 degrees
Type	Assembly	Efficiency	83 %
LED	LUXEON A	cd/lm	6.700
Color	White	Gerber File	Available
Diameter	16.1 mm		
Height	11.4 mm		
Style	Round		
Optic Material	PMMA		
Holder Material	PC		
Fastening	Pin, tape		
Status	Ready		

**Ordering number CA12426\_TINA3-W**

Family	Tina3	FWHM	43 degrees
Type	Assembly	Efficiency	89 %
LED	LUXEON A	cd/lm	1.500
Color	White	Gerber File	Available
Diameter	16.1 mm		
Height	6.9 mm		
Style	Round		
Optic Material	PMMA		
Holder Material	PC		
Fastening	Pin, tape		
Status	Ready		

**Ordering number FA11824\_TINA3-W**

Family	Tina3	FWHM	44 degrees
Type	Assembly	Efficiency	90 %
LED	LUXEON A	cd/lm	1.400
Color	White	Gerber File	Available
Diameter	16.1 mm		
Height	6.9 mm		
Style	Round		
Optic Material	PMMA		
Holder Material	PC		
Fastening	Pin, tape		
Status	Ready		

**Ordering number FA11870\_TINA3-OO**

Family	Tina3	FWHM	46+60 degrees
Type	Assembly	Efficiency	(simulated) 0 %
LED	LUXEON A	cd/lm	-
Color	White	Gerber File	Available
Diameter	16.3 mm		
Height	6.9 mm		
Style	Round		
Optic Material	PMMA		
Holder Material	PC		
Fastening	Pin, tape		
Status	Ready		

**Ordering number CA12429\_TINA3-OO**

Family	Tina3	FWHM	57+29 degrees
Type	Assembly	Efficiency	90 %
LED	LUXEON A	cd/lm	1.200
Color	White	Gerber File	Available
Diameter	16.1 mm		
Height	6.9 mm		
Style	Round		
Optic Material	PMMA		
Holder Material	PC		
Fastening	Pin, tape		
Status	Ready		

**Ordering number CA12427\_TINA3-WW**

Family	Tina3	FWHM	58 degrees
Type	Assembly	Efficiency	89 %
LED	LUXEON A	cd/lm	0.900
Color	White	Gerber File	Available
Diameter	16.1 mm		
Height	6.9 mm		
Style	Round		
Optic Material	PMMA		
Holder Material	PC		
Fastening	Pin, tape		
Status	Ready		

**Ordering number FA11825\_TINA3-WW**

Family	Tina3	FWHM	61,5 degrees
Type	Assembly	Efficiency	(simulated) 0 %
LED	LUXEON A	cd/lm	-
Color	White	Gerber File	Available
Diameter	16.1 mm		
Height	6.9 mm		
Style	Round		
Optic Material	PMMA		
Holder Material	PC		
Fastening	Pin, tape		
Status	Ready		

**Ordering number CA12428\_TINA3-WWW**

Family	Tina3	FWHM	74 degrees
Type	Assembly	Efficiency	86 %
LED	LUXEON A	cd/lm	0.600
Color	White	Gerber File	Available
Diameter	16.1 mm		
Height	6.9 mm		
Style	Round		
Optic Material	PMMA		
Holder Material	PC		
Fastening	Pin, tape		
Status	Ready		



Ordering number FA11826\_TINA3-WWW

Family	Tina3	FWHM	80 degrees
Type	Assembly	Efficiency	90 %
LED	LUXEON A	cd/lm	0.500
Color	White	Gerber File	Available
Diameter	16.1 mm		
Height	6.9 mm		
Style	Round		
Optic Material	PMMA		
Holder Material	PC		
Fastening	Pin, tape		
Status	Ready		

**NOTE: The typical divergence will be changed by different color, chip size and chip position tolerance. The typical total divergence is the full angle measured where the luminous intensity is half of the peak value.**



## PRODUCT DATASHEET

### Tina3 series

last update 9/4/2013

PHILIPS  
LUMILEDS

#### GENERAL INFORMATION

- Product series especially designed & optimized for LUXEON A series of LEDs.
- Special care taken to make light distribution as uniform as possible.
- Lens material optical grade PMMA with high UV and temperature resistance. Allows use of high current and temperature conditions.

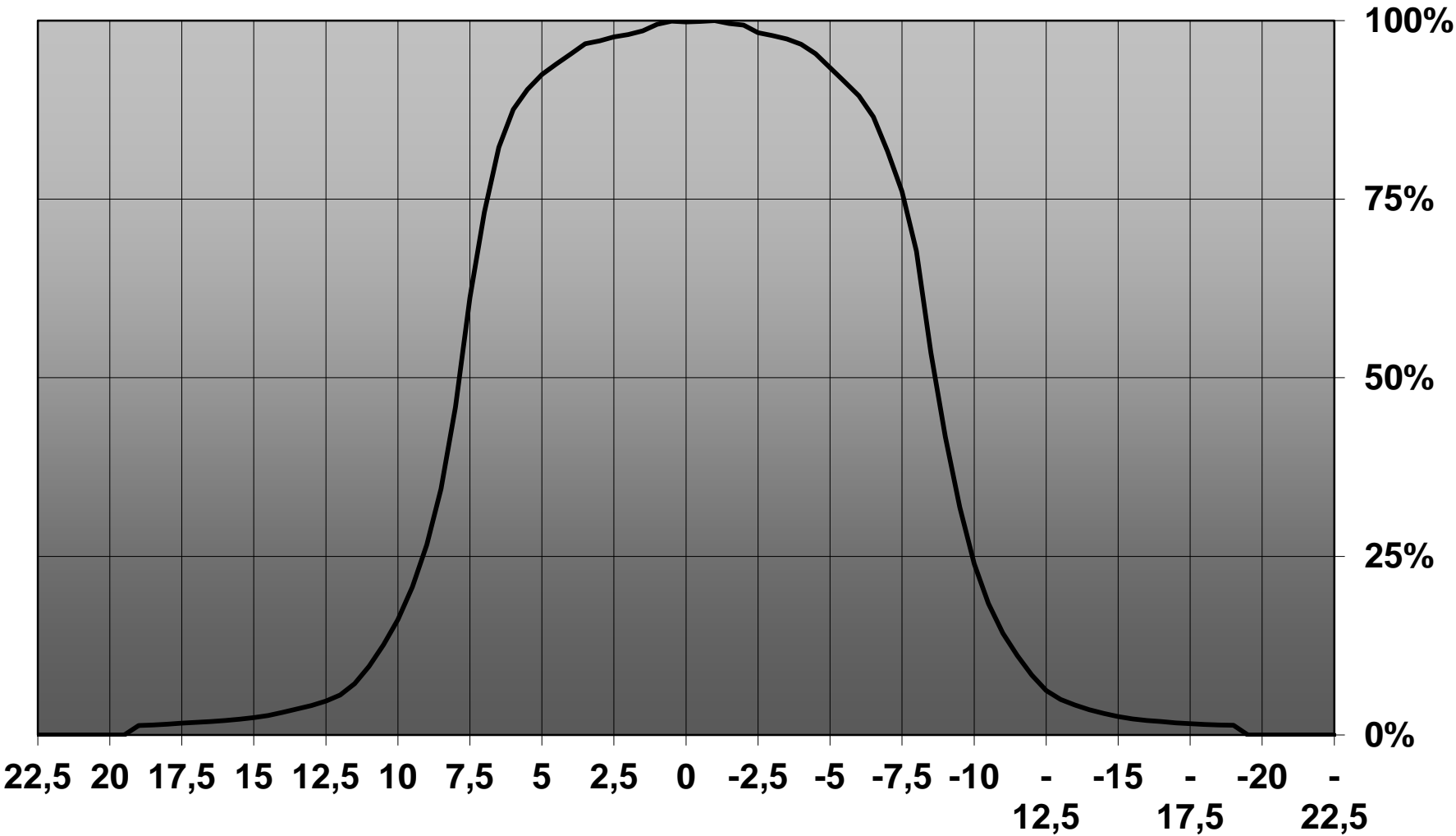
Please find more information about used material from below:

[http://ledil.fi/sites/default/files/Documents/Technical/Material/PMMA%20N%20UL94\\_Yellow%20Card.pdf](http://ledil.fi/sites/default/files/Documents/Technical/Material/PMMA%20N%20UL94_Yellow%20Card.pdf)

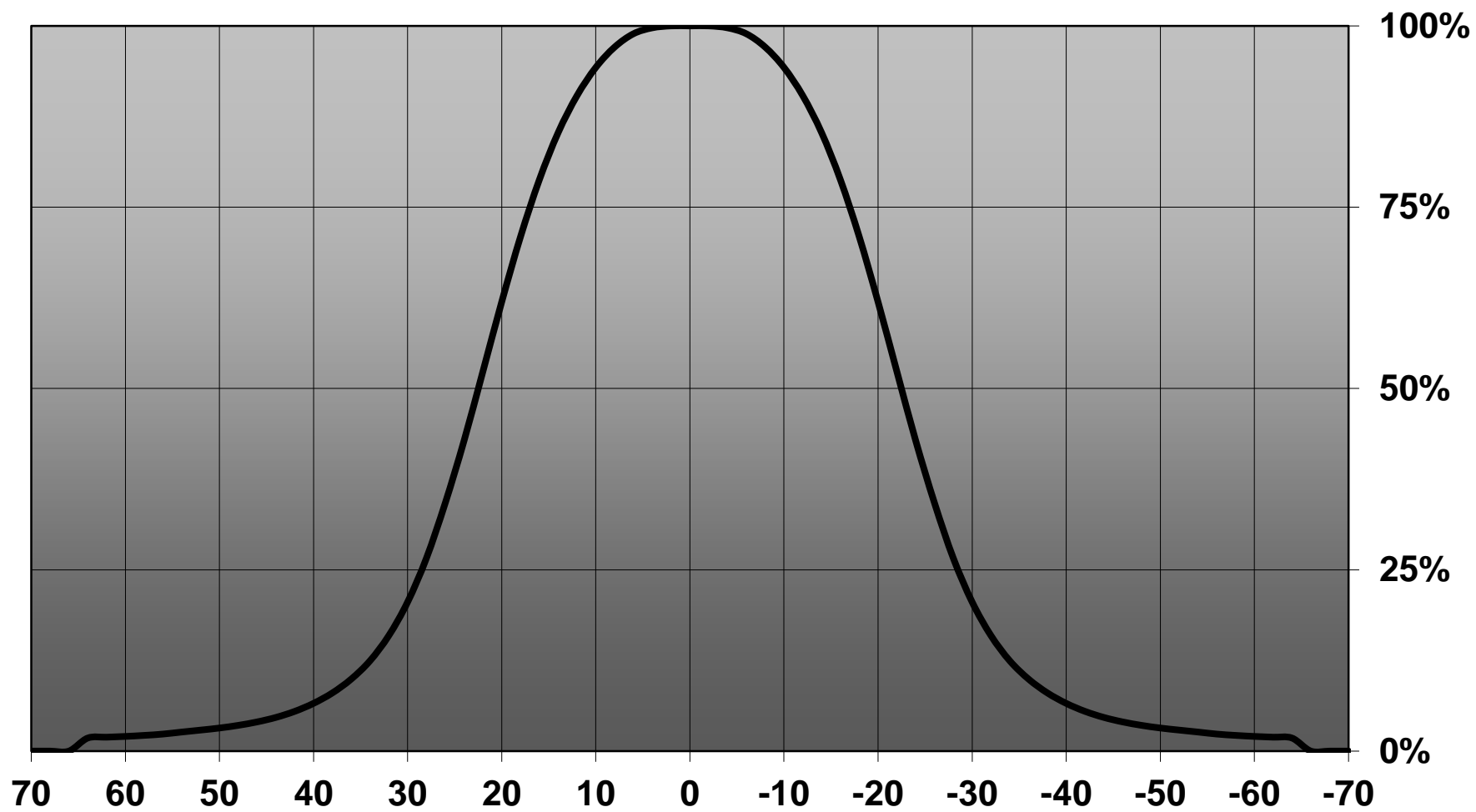
<http://ledil.fi/sites/default/files/Documents/Technical/Material/PMMA%20N%20PLEXIGLAS-Datasheet.pdf>

- Optic holder molded by high quality PC material (120 degrees of Celcius / 248 degrees of Fahrenheit).

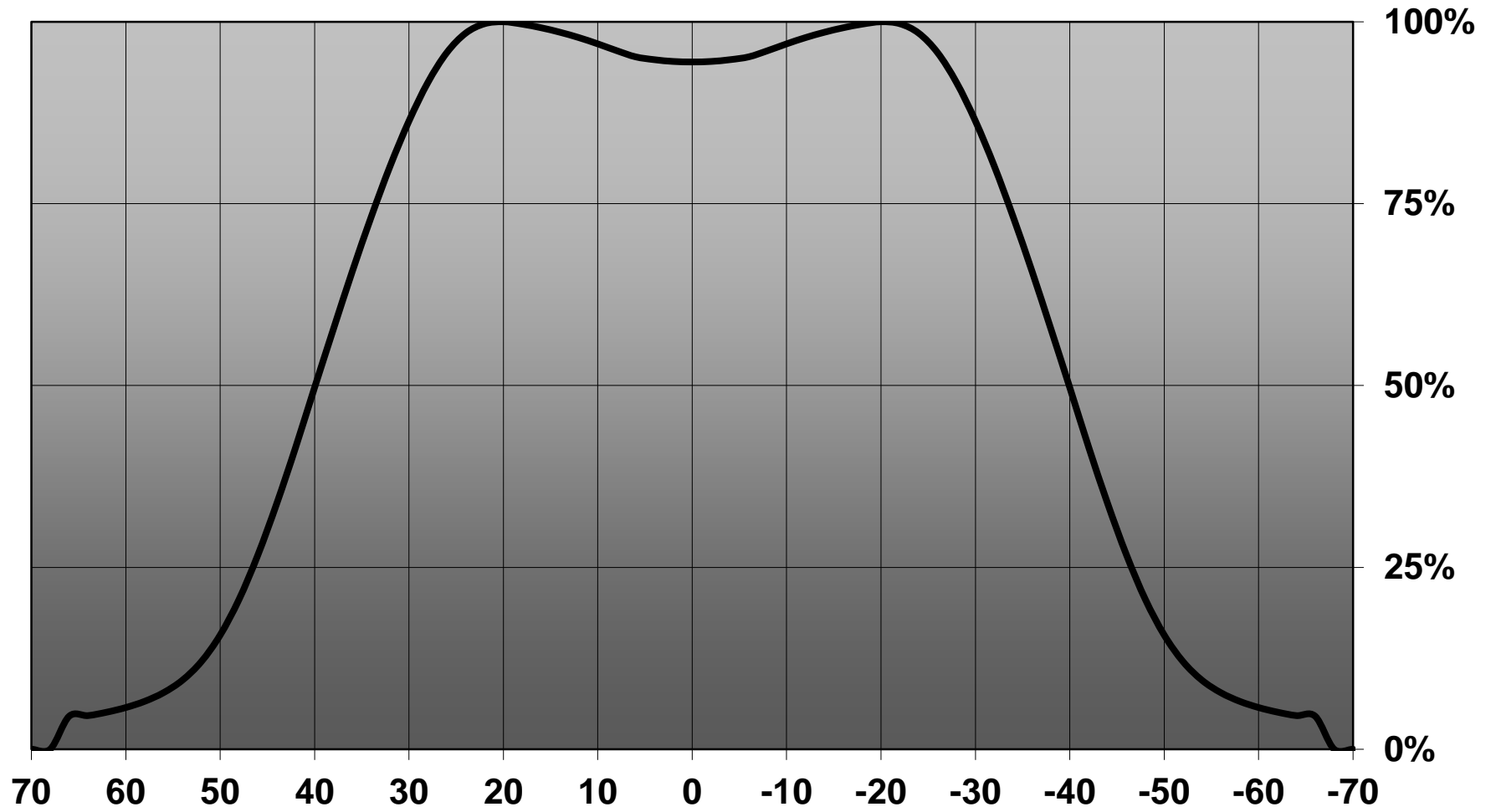
Relative intensity of FA11905\_TINA3-S-LuxA



### Relative intensity of FA11824\_TINA3-W



Relative intensity of FA11826\_TINA3-WWW-LuxA



D

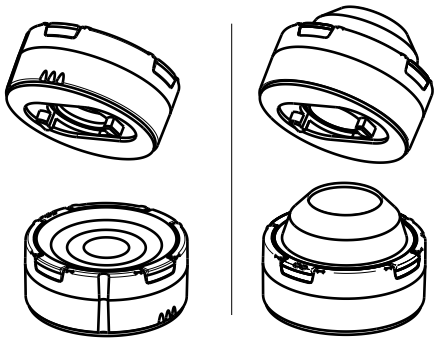
C

B

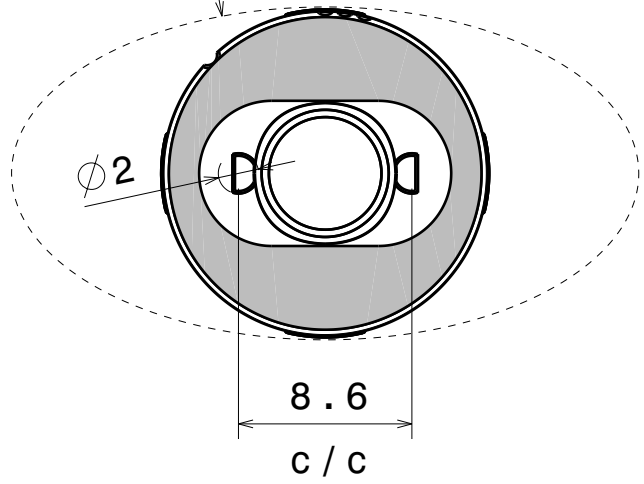
A

4

4

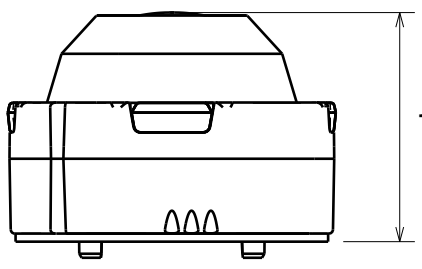


Oval beam direction



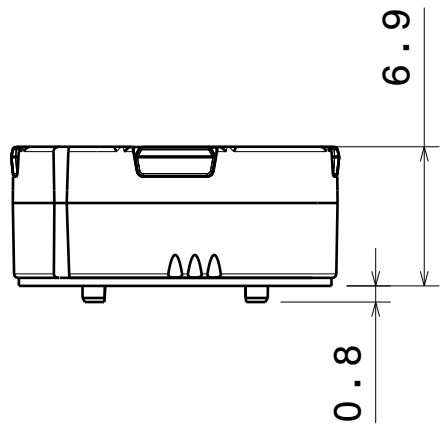
3

3



11.4

Spot version height

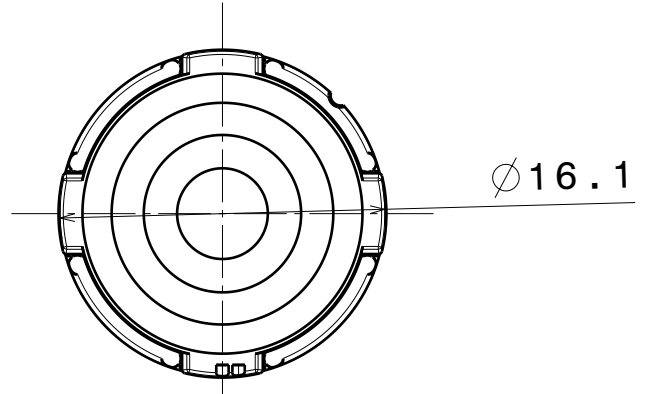


6.9

0.8

2

2



Top view

Tolerances if not otherwise shown  
 According to DIN ISO 2768-1  
 Linear measures:  
 Up to 30mm class F, otherwise class M.  
 According to DIN ISO 2768-2  
 Form and position: class K

**LEDiL** LediL Oy  
 Salorankatu 10  
 FIN 24240 SALO  
 Finland

THIRD ANGLE PROJECTION:

DRAWING TITLE  
**TINA3 Datasheet**

This drawing is the property of LEDiL Oy. It may not be reproduced, copied or communicated without a written agreement with LEDiL Oy."

SIZE	PART NUMBER
A4	-

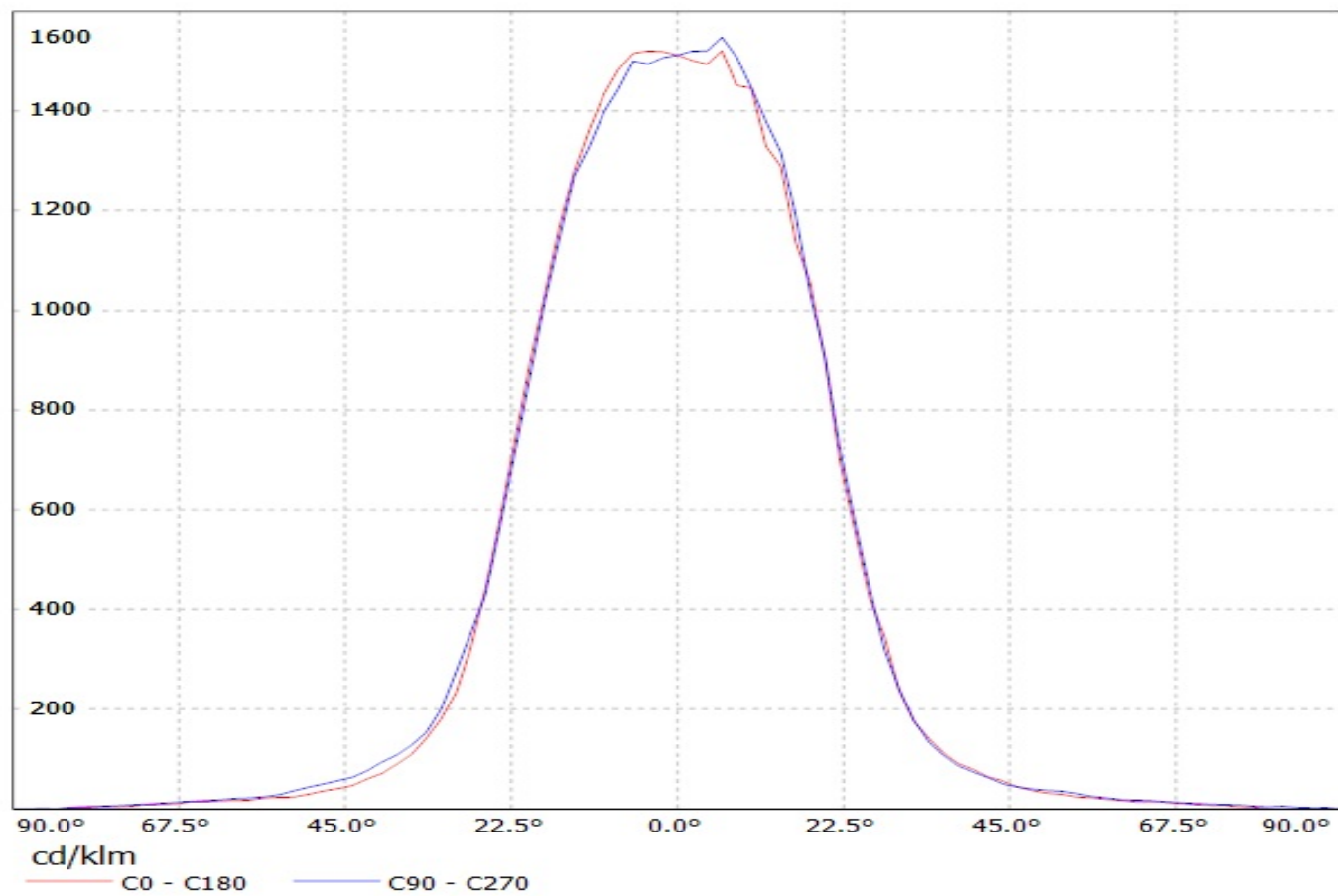
SCALE	4:3	WEIGHT	-	SHEET	1/1
-------	-----	--------	---	-------	-----

D

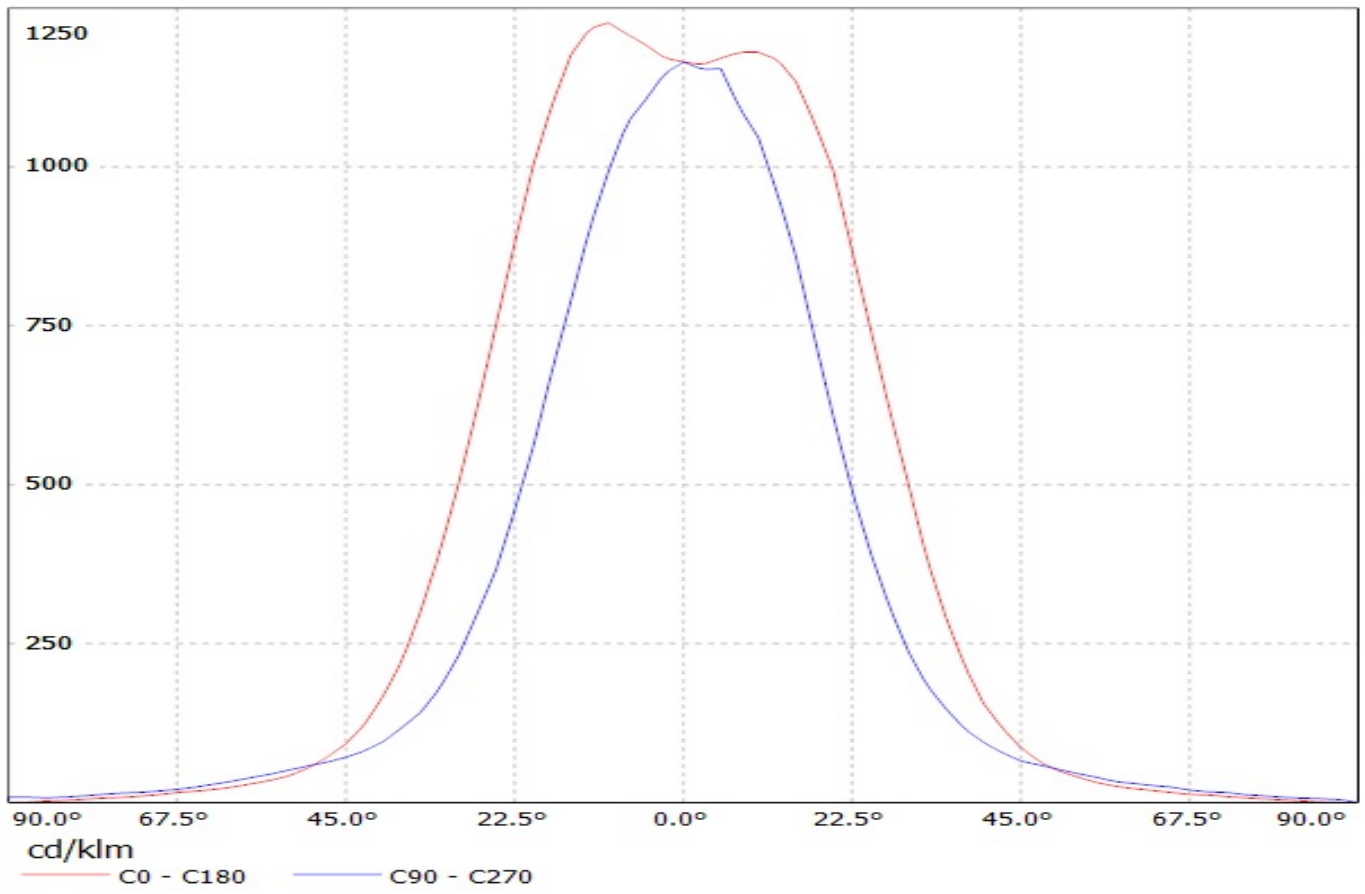
A

1

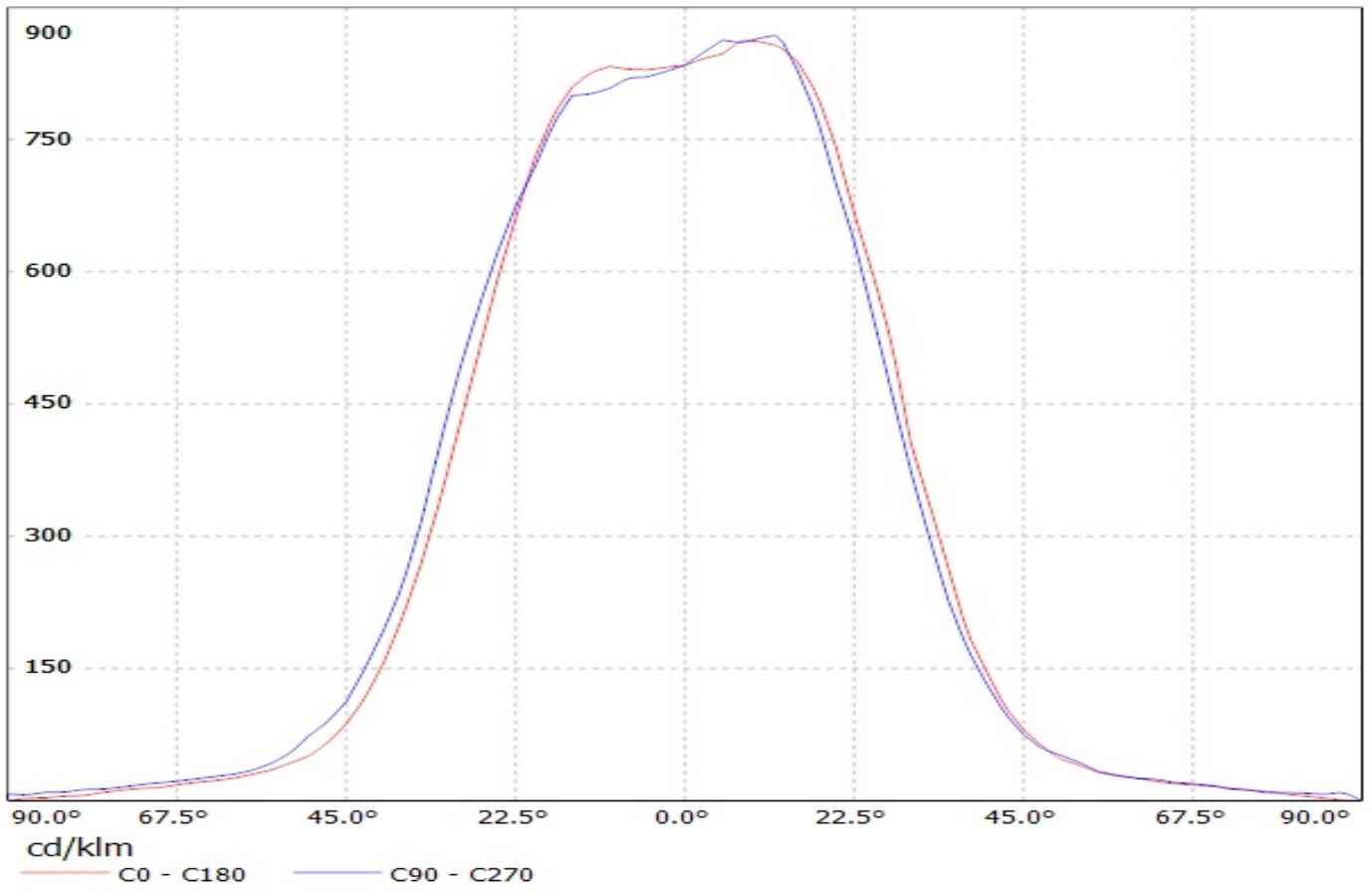
Luminaire: Ledil Oy CA12426\_TINA3-W (Luxeon A 64lm @ 250mA) Efficiency=89%  
Lamps: 1 x Luxeon A 64lm @ 250mA



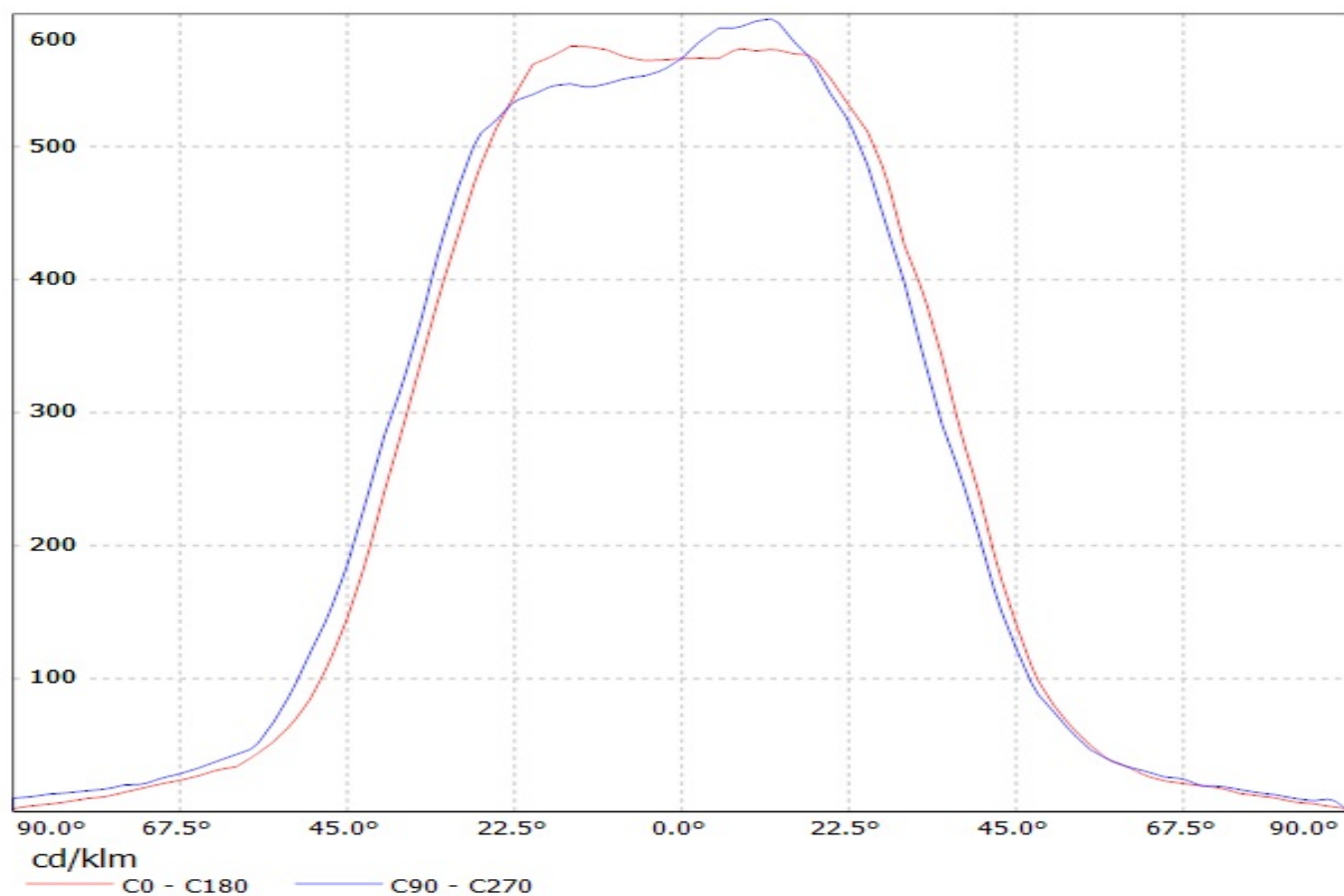
Luminaire: Ledil Oy CA12429\_TINA3-00 (Luxeon A 64lm @ 250mA) Efficiency=90%  
Lamps: 1 x Luxeon A 64lm @ 250mA



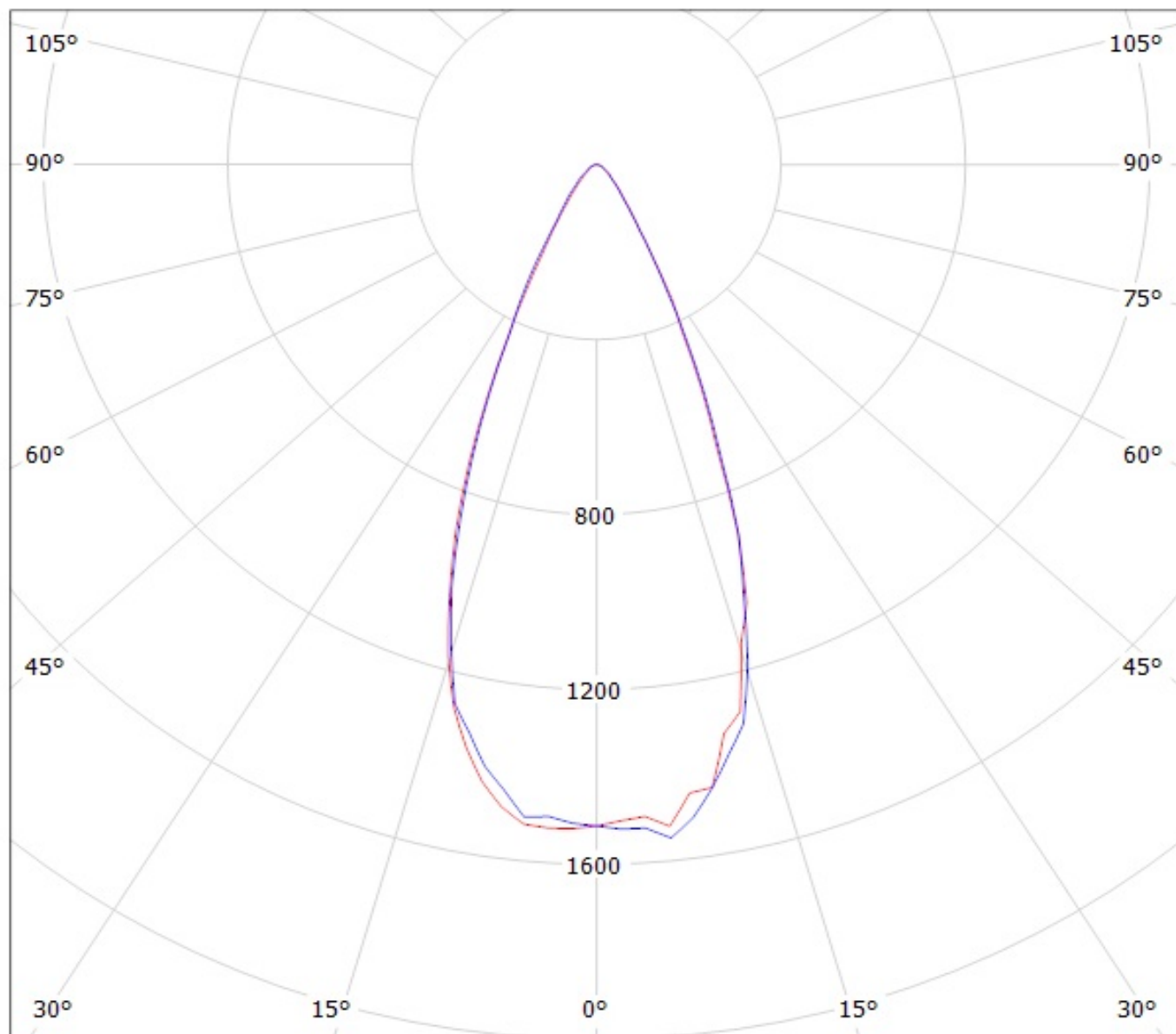
Luminaire: Ledil Oy CA12427\_TINA3-WW (Luxeon A 64lm @ 250mA) Efficiency=89%  
Lamps: 1 x Luxeon A 64lm @ 250mA



Luminaire: Ledil Oy CA12428\_TINA3-WWW (Luxeon A 64lm @ 250mA) Efficiency=86%  
Lamps: 1 x Luxeon A 64lm @ 250mA



Luminaire: Ledil Oy CA12426\_TINA3-W (Luxeon A 64lm @ 250mA) Efficiency=89%  
Lamps: 1 x Luxeon A 64lm @ 250mA

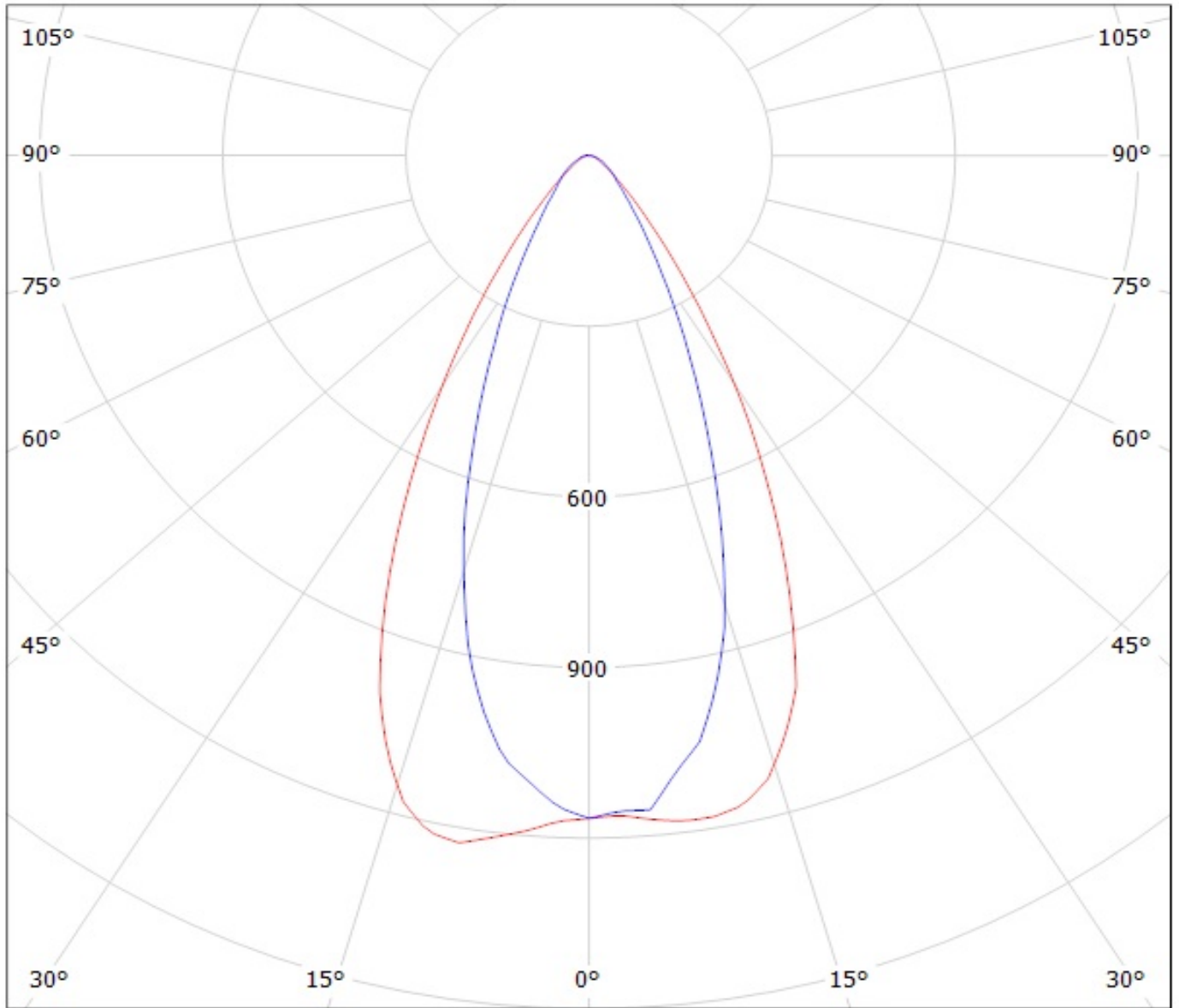


cd/klm

— C0 - C180

— C90 - C270

Luminaire: Ledil Oy CA12429\_TINA3-00 (Luxeon A 64lm @ 250mA) Efficiency=90%  
Lamps: 1 x Luxeon A 64lm @ 250mA

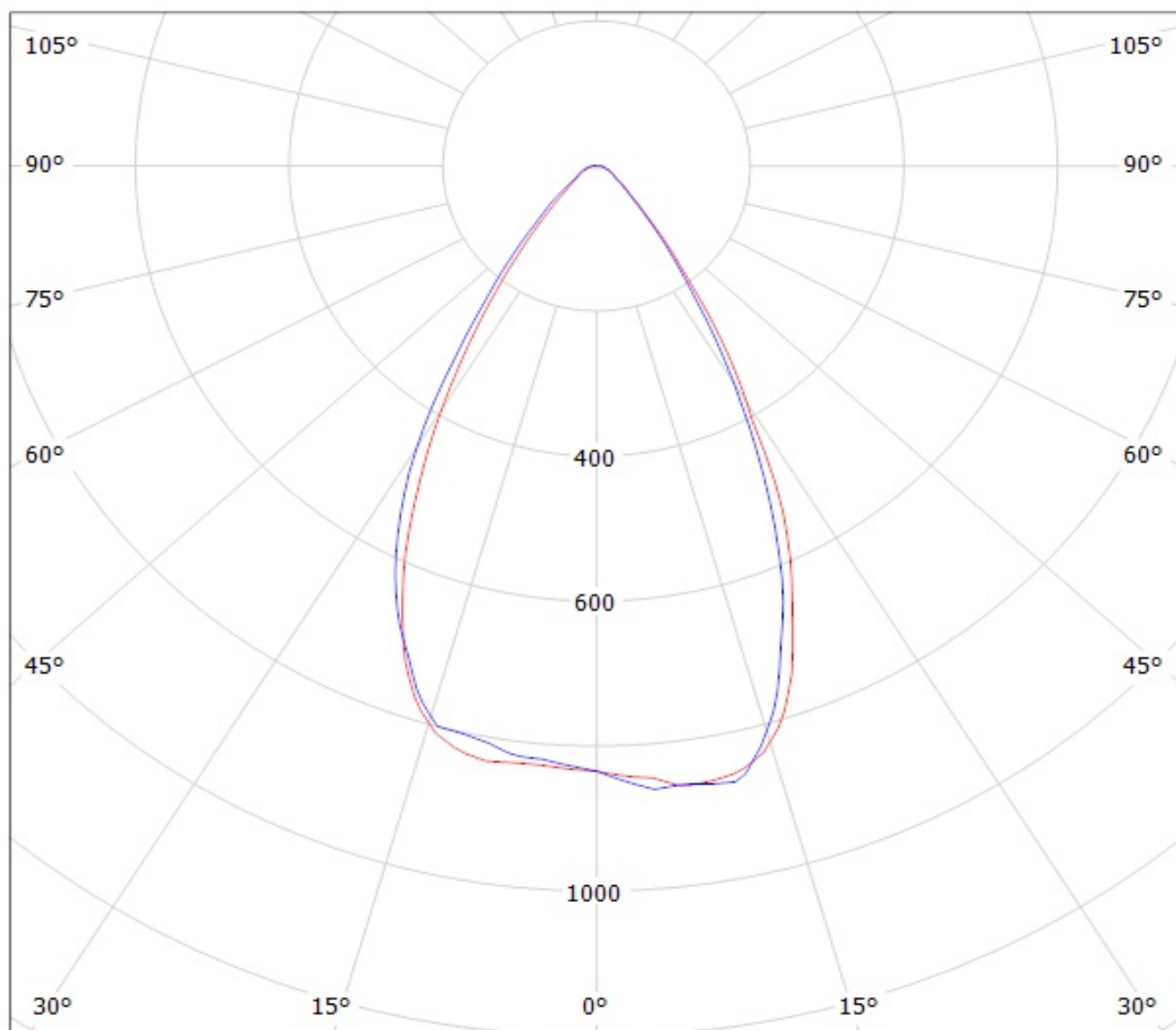


cd/klm

— C0 - C180

— C90 - C270

Luminaire: Ledil Oy CA12427\_TINA3-WW (Luxeon A 64lm @ 250mA) Efficiency=89%  
Lamps: 1 x Luxeon A 64lm @ 250mA

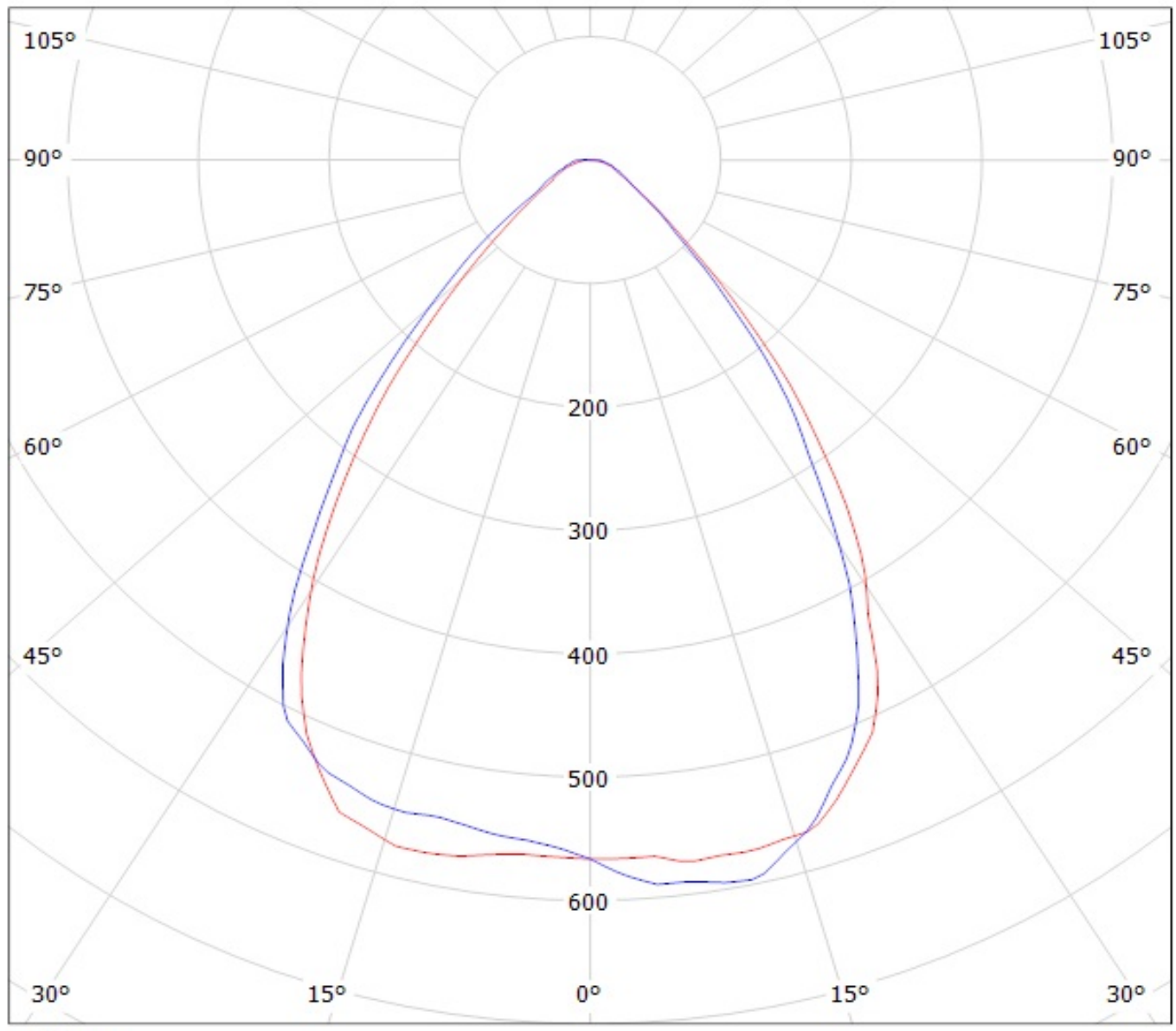


cd/klm

— C0 - C180

— C90 - C270

Luminaire: Ledil Oy CA12428\_TINA3-WWW (Luxeon A 64lm @ 250mA) Efficiency=86%  
Lamps: 1 x Luxeon A 64lm @ 250mA



cd/klm  
— C0 - C180    — C90 - C270