

**LF Series | LF double-pole intermediate switch 3 positions 8A pin terminals**



sample image

**PRODUCT CODE: LF34A3000W**

Wiring diagrams



Terminal type



Body colour



Actuator colour



**Rating**

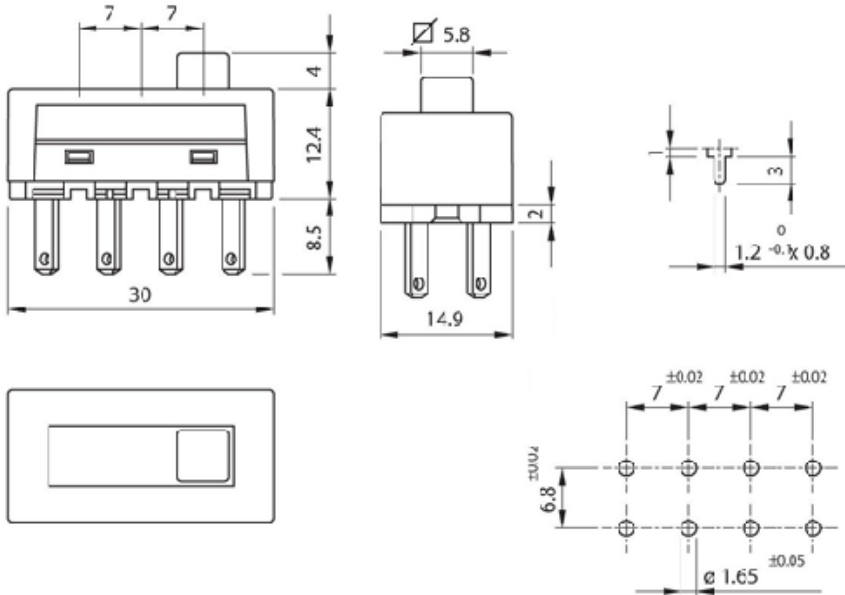
8 (3) A / 250 VAC  
T125 °C

8 A / 125 VAC  
T65 °C

**Approvals**



**Dimensions (mm)**



Stampa scheda