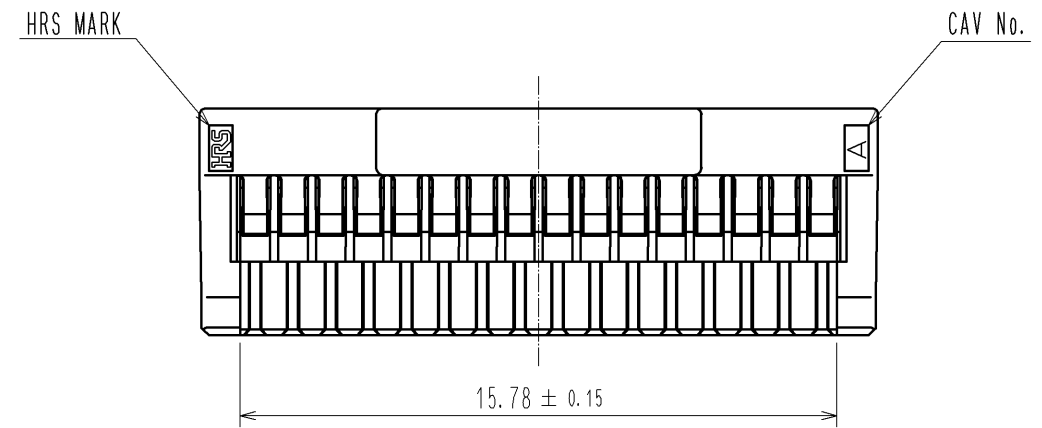
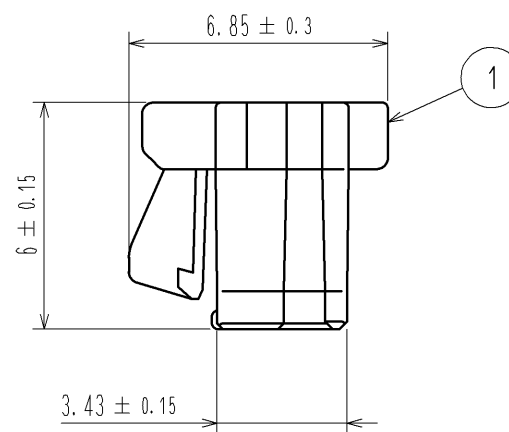
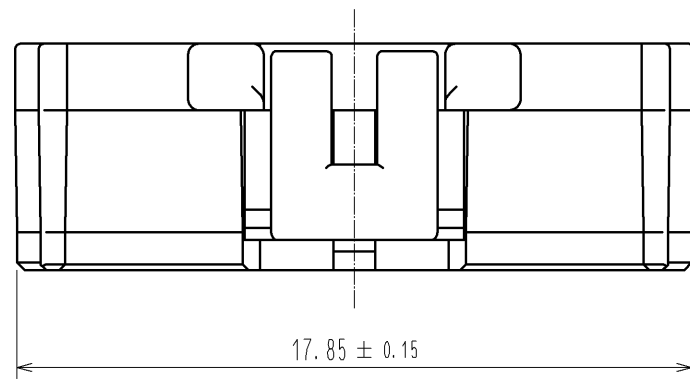
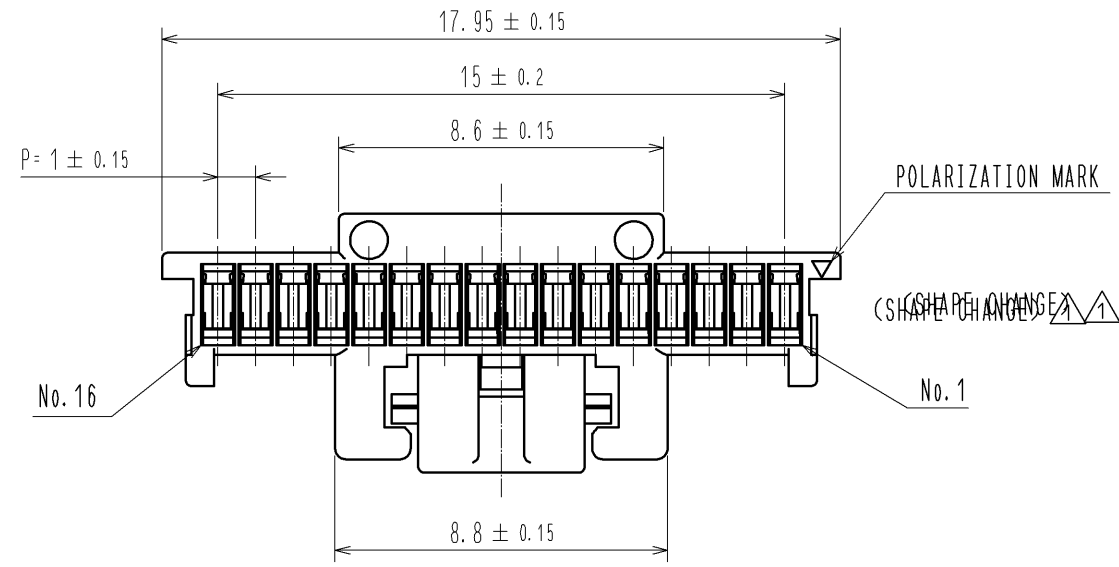
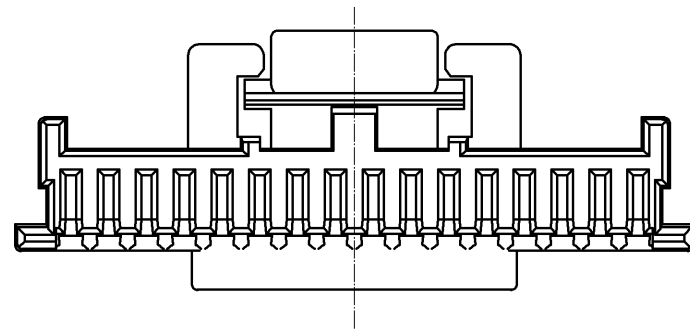


参考図：ご確認。正式には別途納入仕様書をご請求願います。

2014/09/19 18:50:42 SROper



NOTE1. PER PACK:100 POCES



NO.		MATERIAL		FINISH . REMARKS		1		PBT		UL94V-0. BLACK		
UNITS mm		SCALE 5 : 1		COUNT 1		DESCRIPTION OF REVISIONS DIS-H-005903		DESIGNED KT. ISHII		CHECKED OM. MIYAMOTO		DATE 11.06.16
HIROSE ELECTRIC CO., LTD.		APPROVED : KI. AKIYAMA		10.12.10		DRAWING NO.		EDC3-329684-00				
		CHECED : OM. MIYAMOTO		10.12.10		PART NO.		DF50A-16S-1C				
		DESIGNED : TT. OHSAKO		10.12.09		CODE NO.		CL665-1030-1-00				
		DRAWN : TT. OHSAKO		10.12.09								