

Datasheet

RS Stock-No : 811-2407

RS Pro Buffer 160daN



RS Stop Buffer - Male

Operation and Assembly

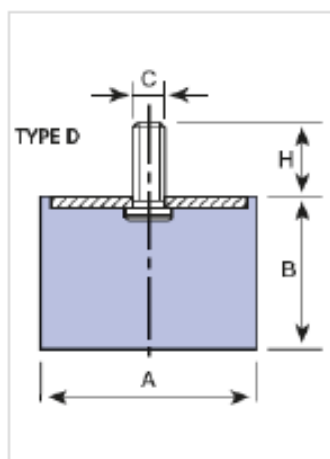
The elastic buffers can be used in these two possibilities:

As buffers:

The impact takes place as an end of stroke, taking into account the maximum deflection the stop may give.

As Elastic Mounts:

When installed as elastic mounts, the buffers may be screwed to the base of the machine so that its flat surface rests directly on the floor or ground.

Technical data


RS Ref:	AMC Ref:	A	B	C	H	COMPRESSION	
						LOAD max. daN	DEFLECT. mm
8112312	110001	12,5	10	M-5	10	12	2
8112316	110004	16	10	M-5	12	20	1,5
8112331	110009	20	15	M-6	16,5	35	4
8112338	110011	20	25	M-6	16,5	30	5,5
8112369	110014	25,5	15	M-8	20	60	3,5
8112362	110015	25,5	19	M-8	20	55	4,5
8112372	110020	30	15	M-8	20	90	3
8112381	110021	30	22	M-8	20	80	5
8112404	110022	30	30	M-8	20	70	8
8112407	110024	40	20	M-10	25	160	5
8112527	110110	40	25	M-10	25	150	6
8112394	110034	60	36	M-10	25	300	9
8112410	110038	70	50	M-10	25	350	11