



Relay Control Option For Spectrum

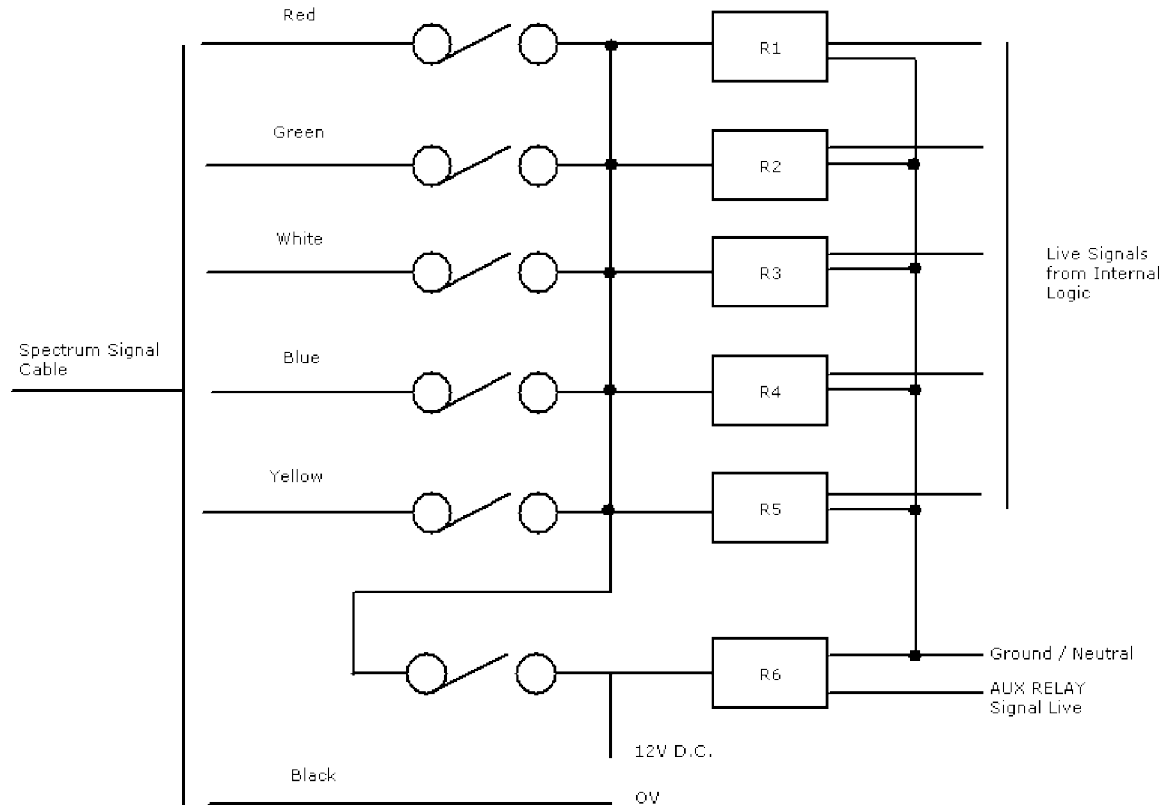
MOFLASH¹
SIGNALING

UNITS 17,18 & 19, KLAXON INDUSTRIAL ESTATE. WARWICK ROAD, TYSELEY, BIRMINGHAM. B11 2HA
TEL: ++44 (0) 121 707 6681 FAX: ++44 (0) 121 707 8305
www.moflash.co.uk

Relay Control Option For Spectrum

The beacon connected to a set of relays using existing beacon wiring

Diagram 1a - Spectrum Relay Logic



Relays R1-R5 input data to the Spectrum Beacon

(Ref [http://www.moflash.co.uk/docs/Spectrum Beacon Tech Leaflet iss 8.pdf](http://www.moflash.co.uk/docs/Spectrum%20Beacon%20Tech%20Leaflet%20iss%208.pdf))

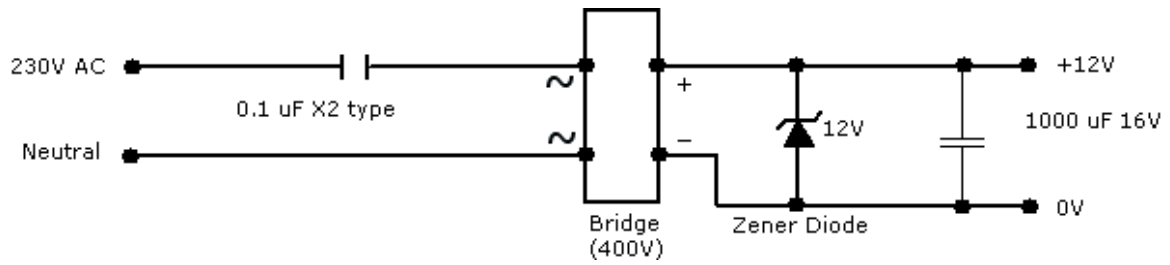
D.C. Supply is nominal only. Any voltage between 6-15V is acceptable.

Assuming the Relays R1-R6 are switched on for a considerable time (e.g. as long as the signal is required) then the 'Aux' relay will be needed.

This relay is turned on for approximately 1 second immediately after the signal is changed.

Diagram 1b

Simple Circuit to supply 12V D.C.



 **Spectrum** **600 Series**

Moflash Signalling Ltd - August 2010

MOFLASH
SIGNALLING

UNITS 17,18 & 19, KLAXON INDUSTRIAL ESTATE, WARWICK ROAD, TYSELEY, BIRMINGHAM. B11 2HA

TEL: ++44 (0) 121 707 6681 FAX: ++44 (0) 121 707 8305

www.moflash.co.uk