

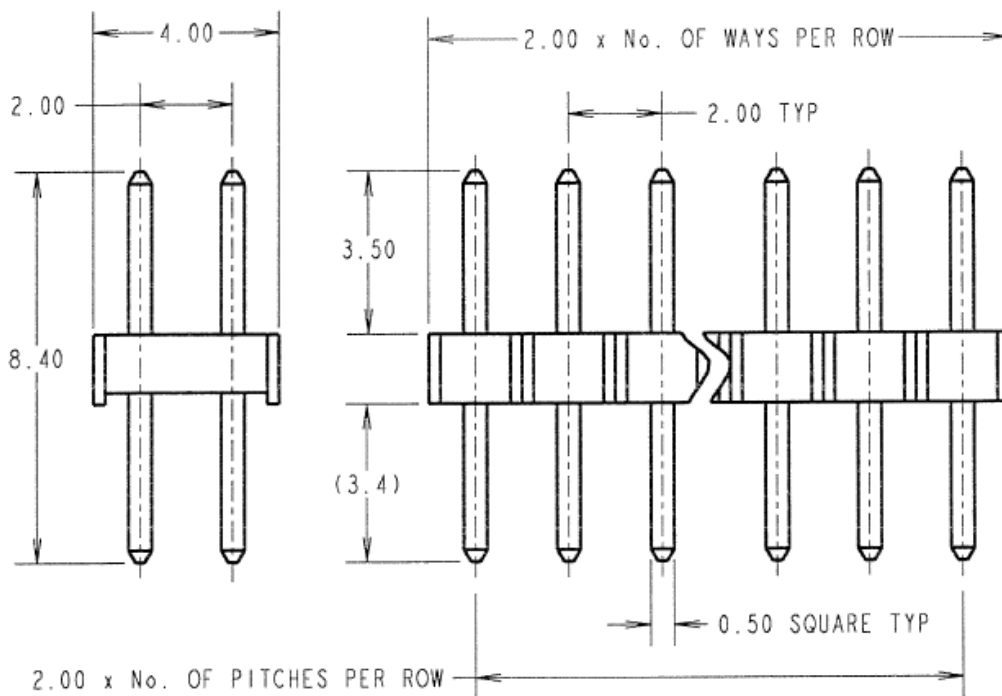
Datasheet

2.00mm Pitch DIL Vertical Pin Header

Assembly

RS Stock number 636-5230

Dimensions - mm



Specifications:

Moulding:	Nylon 6T UL94V-0, black
Contacts:	Phosphor Bronze
Pins:	100% Tin
Current Rating:	1A
Voltage Proof:	650V AC
Contact Resistance (initial):	20 milliohms max.
Contact Resistance (after conditioning):	100 megohms min.
Insulation Resistance (initial):	1,000 megohms min.
Insulation Resistance (after conditioning):	100 megohms min
Durability:	50 Operations
Insertion Force:	2N max.
Withdrawal Force:	0.3N min.
Temperature Range:	-40°C to 105°C