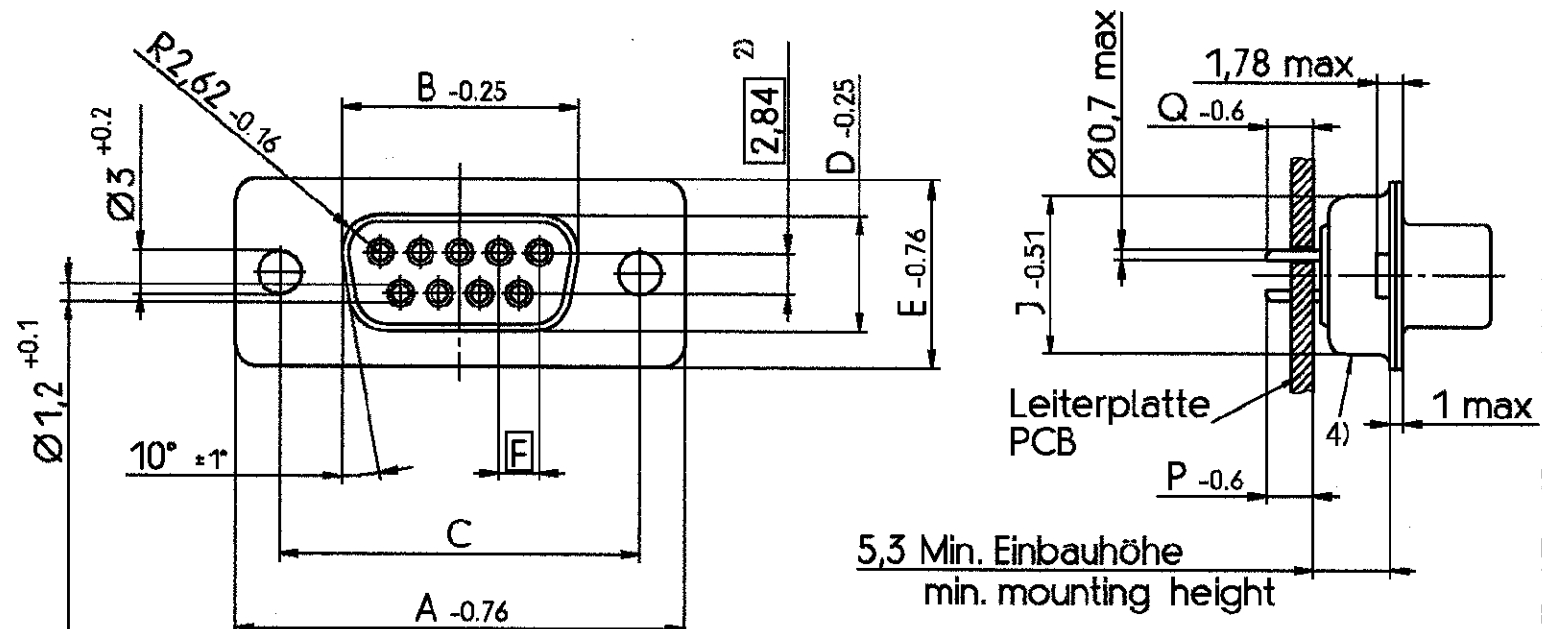


Standardausführung: V42254-A2115-B*** V42254-A2415-B*** 3)
 standard type: V42254-A2117-B*** V42254-A2417-B*** 3)
 V42254-A2315-B*** V42254-A2515-B*** 3)
 V42254-A2317-B*** V42254-A2517-B*** 3)

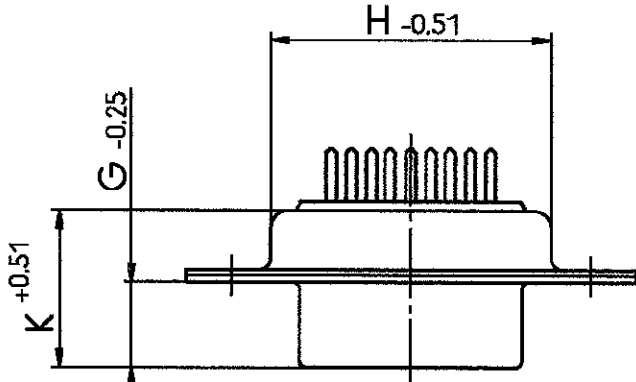
- 1) nach DIN 41652 T.2 und T.4
- 2) Bemerkung: 50-polig: dreireihig
- 3) nicht für 50-polig
- 4) keine TE-Beschriftung bei:
 V42254-A2*17-B*** V42254-A2132-B*** V42254-A2152-B***
 V42254-A2*18-B*** V42254-A2133-B*** V42254-A2153-B***
 V42254-A2122-B*** V42254-A2142-B***
- 5) Rille zur optischen Erkennung der Bolzentypen mit M3-Gewinde
- 6) Blechteile örtlich herunter gedrückt
- 7) Nur bei Ausführung mit Lötstiehlänge P = 3,2mm
- 8) Sicke nur bei den 4 äußeren Masselötstielen.

- 1) according to DIN 41652 p.2 and p.4
- 2) note: 50-contact version: 3 contact rows
- 3) not for 50-contact version
- 4) no TE-marking for:
 V42254-A2*17-B*** V42254-A2132-B*** V42254-A2152-B***
 V42254-A2*18-B*** V42254-A2133-B*** V42254-A2153-B***
 V42254-A2122-B*** V42254-A2142-B***
- 5) groove in the stud bolts with M3 thread (visual recognition)
- 6) shells pressed down locally
- 7) only for versions with soldering-pin length of P = 3,2mm
- 8) only the four corner grounding soldering-pins have a rib

9) OBSOLETE PARTS: OBSOLETE CIS STREAMLINING PER D.RENAUD/D.SINISI



alle Kontakte
 all contacts
 Ø 0.08



Ordering code Sachnr. V42254-A2*1*-	dimension Maß Polzahl No. of contacts	A	B	C	D	E	F	G	H	J	K
B*09	09	31.19	16.46	25.0 ± 0.12 -0.13	8.02	12.93	2.74	6.3	19.53	10.97	10.64
B*15	15	39.52	24.79	33.3 ± 0.15 -0.1	8.02	12.93	2.74	6.3	27.76	10.97	10.64
B*25	25	53.42	38.5	47.04 ± 0.13 -0.13	8.02	12.93	2.76	6.3	41.53	10.97	10.64
B*37	37	69.7	54.96	63.5 ± 0.13 -0.13	8.02	12.93	2.76	6.3	57.96	10.97	10.64
B*50	50 ²⁾	67.31	52.55	61.1 ± 0.14 -0.11	10.87	15.75	2.76	6.3	55.58	13.82	10.64

Anforderungsstufe,
 performance level¹⁾

V42254-	P	Q
A211*-+***	3.2	3.2
A231*-+***	5.55	5.55
A241*-+*** ³⁾	1.55	1.55
A251*-+*** ³⁾	13.65	14.05

dargestellt wird die 9-polige Ausführung
 drawn is the 9-contacts version

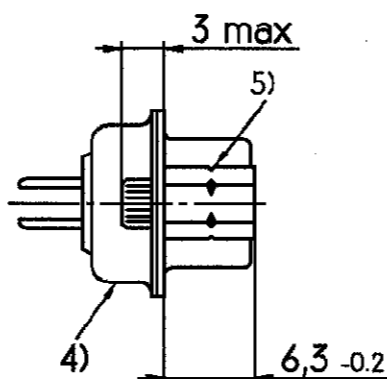
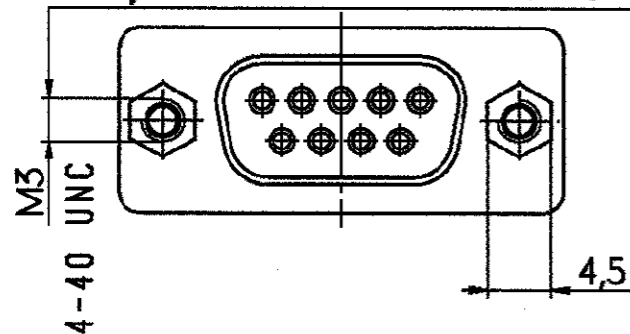
TYCO ELECTRONICS CORPORATION OOSTKAMP - BELGIUM		SCALE 2:1 WEIGHT
MATERIAL		PART NAME Sub-D Loetstiften gerade Buchsenleiste D-Sub straight soldering pins female connector
DATE 01.03.90 NAME Embo DEP. PE Com PE&SE		PART NO. V42254-A2***-B***-*-27
REV. CHANGE ORDER DATE APP.		TOLERANCE UNLESS SPECIFIED OTHERWISE Customer Drawing Nr. C7-1393483-1 OF 8

SUBSIDIARIES AND AFFILIATES. IT MAY NOT BE DISCLOSED TO ANYONE, OTHER THAN TYCO ELECTRONICS PERSONNEL,
 WITHOUT WRITTEN AUTHORIZATION FROM TYCO ELECTRONICS CORPORATION, HARRISBURG PENNSYLVANIA USA

mit Gewindebolzen:
with screwlock stud bolts:

- M3: 4-40 UNC:
 V42254-A2119-B*** V42254-A2116-B***
 V42254-A2319-B*** V42254-A2316-B***
 V42254-A2419-B*** 3) V42254-A2416-B*** 3)
 V42254-A2519-B*** 3) V42254-A2516-B*** 3)
 V42254-A2118-B***
 V42254-A2318-B***
 V42254-A2418-B*** 3)
 V42254-A2518-B*** 3)

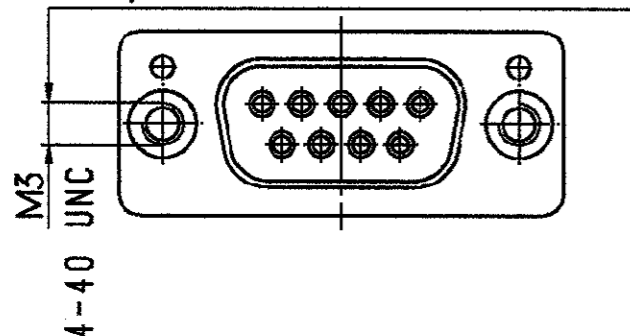
Verdrehsicherheit ≥ 70 Ncm
torque retention ≥ 70 Ncm



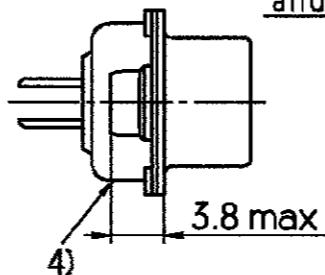
mit Stop-Mutter / Gewindeeinsatz:
with thread:

- M3: 4-40 UNC:
 V42254-A2114-B*** 3) V42254-A2112-B*** 3)
 V42254-A2314-B*** 3) V42254-A2312-B*** 3)
 V42254-A2414-B*** V42254-A2412-B***
 V42254-A2514-B*** V42254-A2512-B***

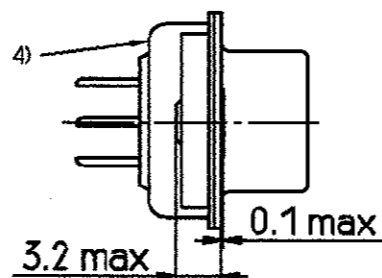
Verdrehsicherheit ≥ 130 Ncm
torque retention ≥ 130 Ncm



mit Stop-Mutter (für 9-, 15-, 25- u. 37-pol Ausführung):
with self locking press-in nuts (for 9-, 15-, 25- and 37-contacts versions):

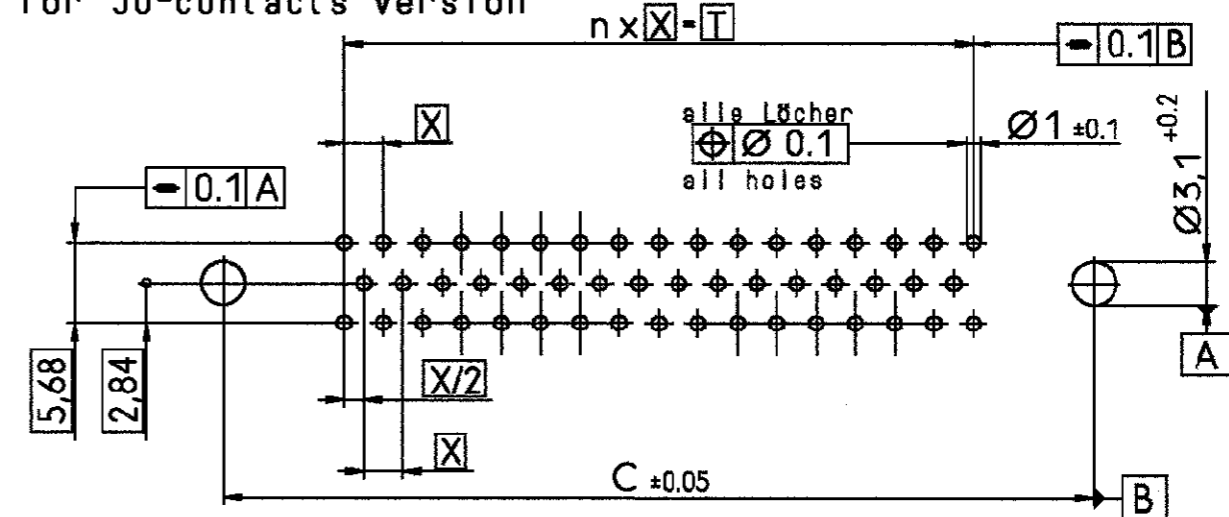
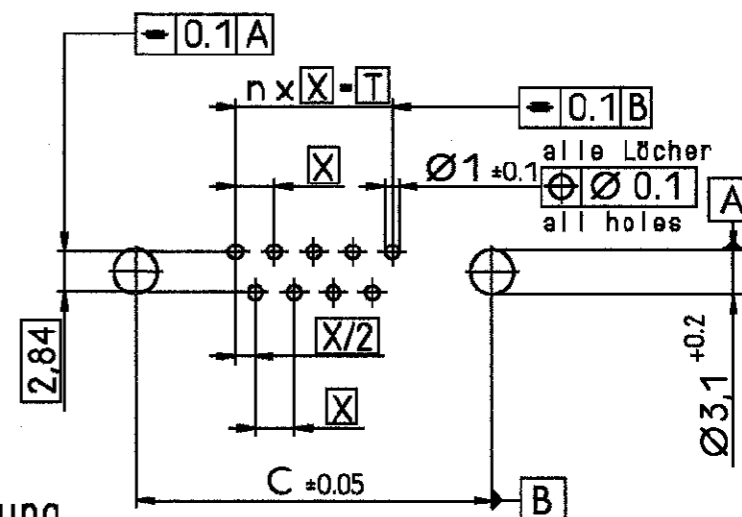


mit Gewindeeinsatz (nur für 50-pol. Ausführung):
with thread insert (only for 50-contacts version):



Leiterplattenbohrung
PCB layout

für 50-polige Ausführung
for 50-contacts version



Polzahl No. of contacts	n	Abmessungen in mm dimensions in mm		
		C	T	X
9	4	25.0	10.96	2.74
15	7	33.3	19.18	2.74
25	12	47.04	33.12	2.76
37	18	63.5	49.68	2.76
50	16	61.1	44.16	2.76

Erläuterungen: Seite 1
dargestellt wird die 9-polige Ausführung
remarks: see page 1
drawn is the 9-contacts version

Tyco Electronics TYCO ELECTRONICS CORPORATION OOSTKAMP - BELGIUM

SCALE 2:1 WEIGHT

MATERIAL

PART NAME Sub-D Loetstiften gerade
Buchsenleiste
D-Sub straight soldering pins
female connector

DATE 01.03.90
NAME Embo
DEP. PE Com PE&SE

TOLERANCE UNLESS SPECIFIED OTHERWISE

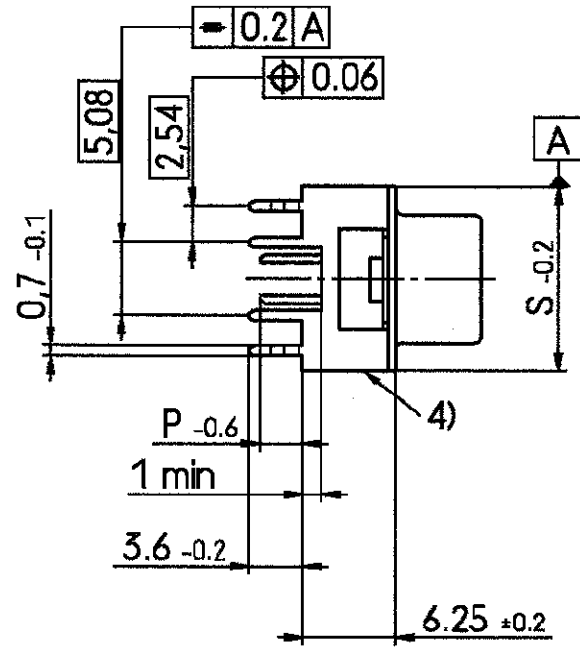
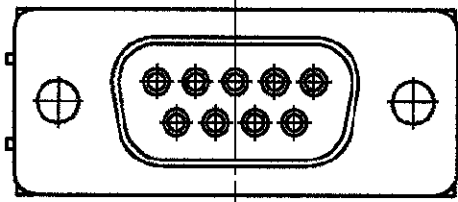
PART NO. V42254-A2***-B***-*-27 SHT. 2+

REV. CHANGE ORDER DATE APP. Customer Drawing Nr. C 7-1393483-1 OF 8

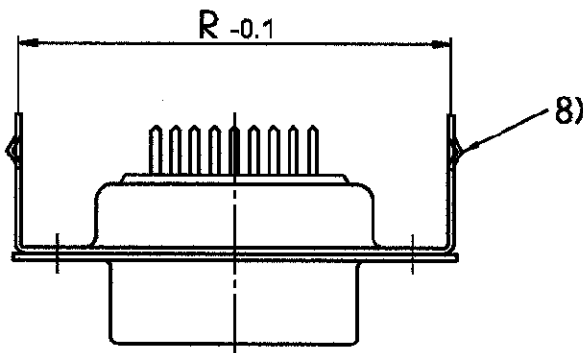
SUBSIDIARIES AND AFFILIATES. IT MAY NOT BE DISCLOSED TO ANYONE. OTHER THAN TYCO ELECTRONICS PERSONNEL. WITHOUT WRITTEN AUTHORIZATION FROM TYCO ELECTRONICS CORPORATION, HARRISBURG PENNSYLVANIA USA

mit Masselötstiften:
with grounding soldering pins: 3)

V42254-A2215-B***
V42254-A2217-B***
V42254-A2815-B***
V42254-A2817-B***



V42254-	P
A221*-+***	3.2
A281*-+***	5.55



Sachnr. ordering code V42254-A2*1*-	Polzahl No. of contacts	dimension Maß	
		R	S
B*09	09	30.4	12.4
B*15	15	38.8	12.4
B*25	25	52.8	12.4
B*37	37	69.1	12.4

Anforderungsstufe,
performance level 1)

Erläuterungen: Seite 1
dargestellt wird die 9-polige Ausführung
remarks: see page 1
drawn is the 9-contacts version

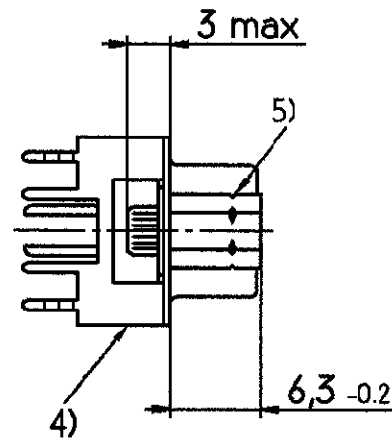
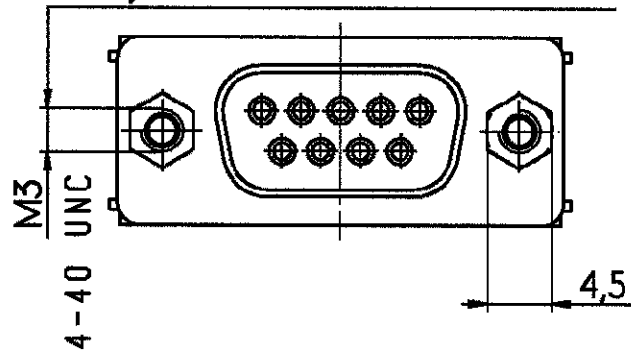
		TYCO ELECTRONICS CORPORATION OOSTKAMP - BELGIUM			SCALE 2:1 WEIGHT
DATE 01.03.90 NAME Embo DEP. PE Com PE&SE		DIMENSIONS IN MM		MATERIAL	
TOLERANCE UNLESS SPECIFIED OTHERWISE		PART NAME Sub-D Loetstiften gerade Buchsenleiste D-Sub straight soldering pins female connector		PART NO. V42254-A2***-B***-*-27 SHT. 3+	
REV. CHANGE ORDER DATE APP.		Customer Drawing Nr. C 7-1393483-1		OF 8	

SUBSIDIARIES AND AFFILIATES. IT MAY NOT BE DISCLOSED TO ANYONE, OTHER THAN TYCO ELECTRONICS PERSONNEL,
WITHOUT WRITTEN AUTHORIZATION FROM TYCO ELECTRONICS CORPORATION, HARRISBURG PENNSYLVANIA USA

mit Masselötstiften und Gewindebolzen:
with grounding soldering-pins and screwlock stud bolts: 3)

M3: 4-40 UNC:
V42254-A2219-B*** V42254-A2216-B***
V42254-A2218-B***
V42254-A2819-B*** V42254-A2816-B***
V42254-A2818-B***

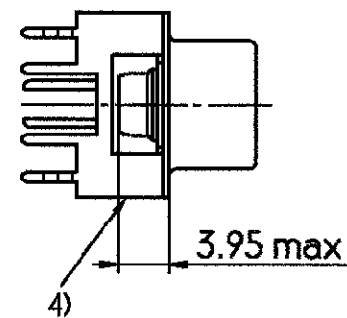
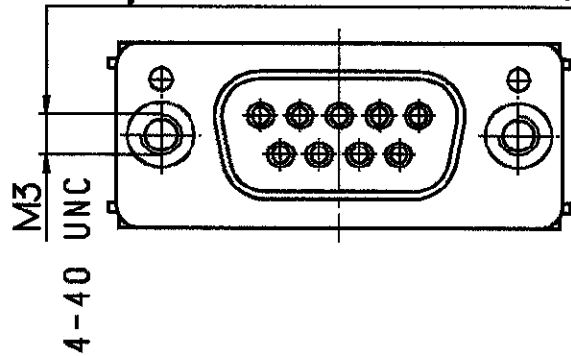
Verdrehsicherheit ≥ 70 Ncm
torque retention ≥ 70 Ncm



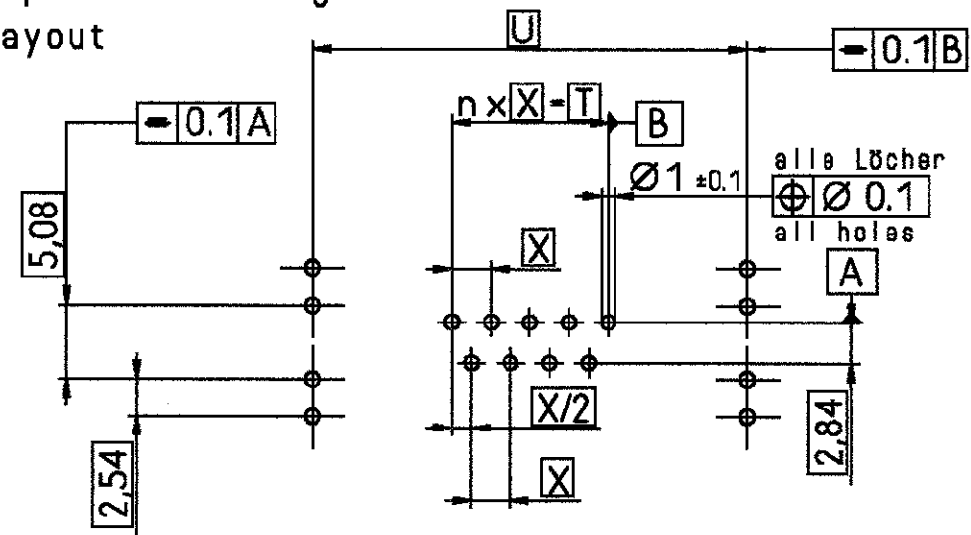
mit Masselötstiften und Stop-Mutter :
with grounding soldering-pins and thread: 3)

M3: 4-40 UNC:
V42254-A2214-B*** V42254-A2212-B***
V42254-A2814-B*** V42254-A2812-B***

Verdrehsicherheit ≥ 130 Ncm
torque retention ≥ 130 Ncm



Leiterplattenbohrung
PCB layout



Polzahl No. of contacts	n	Abmessungen in mm dimensions in mm		
		T	U	X
9	4	10.96	30.4	2.74
15	7	19.18	38.8	2.74
25	12	33.12	52.7	2.76
37	18	49.68	69.1	2.76

Erläuterungen: Seite 1
dargestellt wird die 9-polige Ausführung
remarks: see page 1
drawn is the 9-contacts version

		TYCO ELECTRONICS CORPORATION OOSTKAMP - BELGIUM		DIMENSIONS IN MM		SCALE 2:1 WEIGHT	
DATE: 01.03.90 NAME: Embo DEP.: PE Com PE&SE		MATERIAL		PART NAME: Sub-D Loetsstiften gerade Buchsesteife D-Sub straight soldering pins female connector		PART NO.: V42254-A2***-B***-*-27 SHT. 4+	
TOLERANCE UNLESS SPECIFIED OTHERWISE		REV. CHANGE ORDER DATE APP. Customer Drawing Nr. C 7-1393483-1		OF 8			

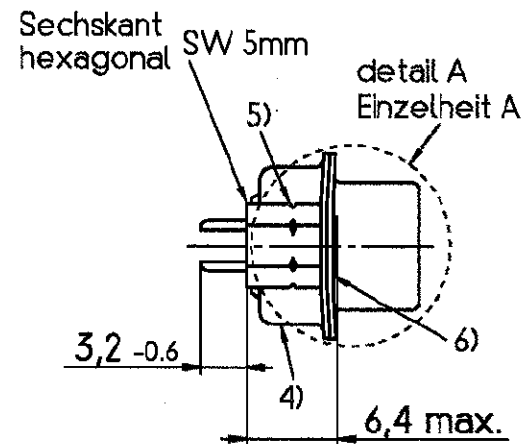
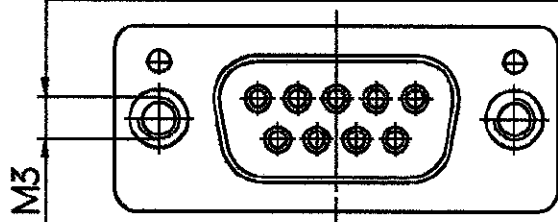
SUBSIDIARIES AND AFFILIATES. IT MAY NOT BE DISCLOSED TO ANYONE OTHER THAN TYCO ELECTRONICS PERSONNEL,
WITHOUT WRITTEN AUTHORIZATION FROM TYCO ELECTRONICS CORPORATION, HARRISBURG PENNSYLVANIA USA

SUBSIDIARIES AND AFFILIATES. IT MAY NOT BE DISCLOSED TO ANYONE, OTHER THAN TYCO ELECTRONICS PERSONNEL, WITHOUT WRITTEN AUTHORIZATION FROM TYCO ELECTRONICS CORPORATION, HARRISBURG, PENNSYLVANIA, USA

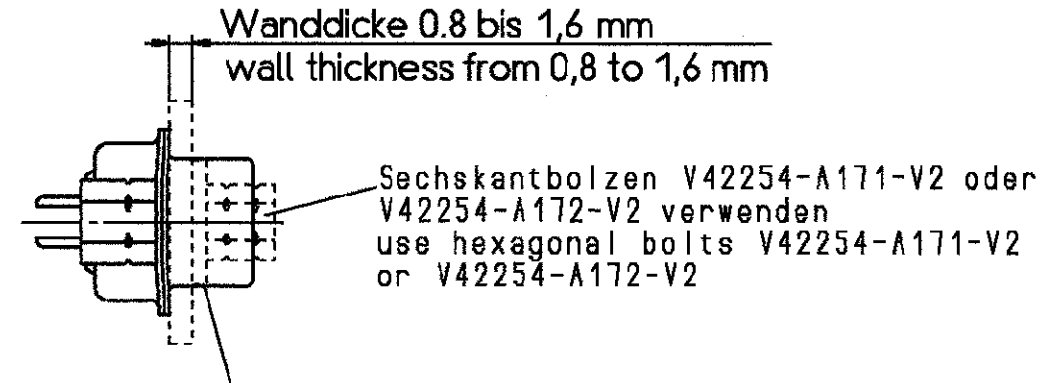
mit Distanzbolzen :
with distance bolts: 7)

V42254-A2120-B***
V42254-A2122-B***

Verdrehsicherheit ≥ 20 Ncm
torque retention ≥ 20 Ncm



Montageart
mounting type

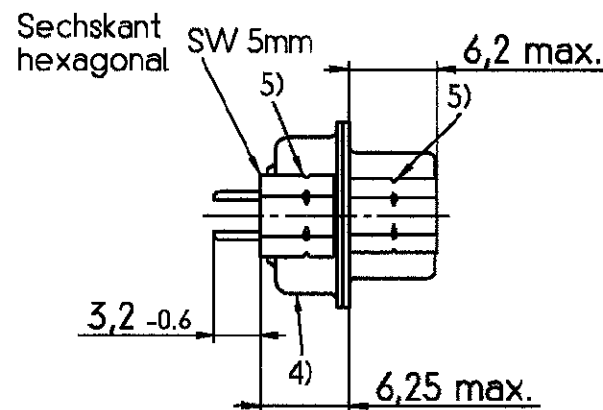
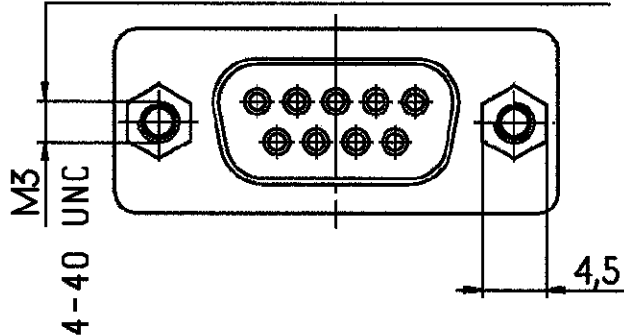


Falls notwendig Distanzscheiben verwenden
if necessary, use washer(s)

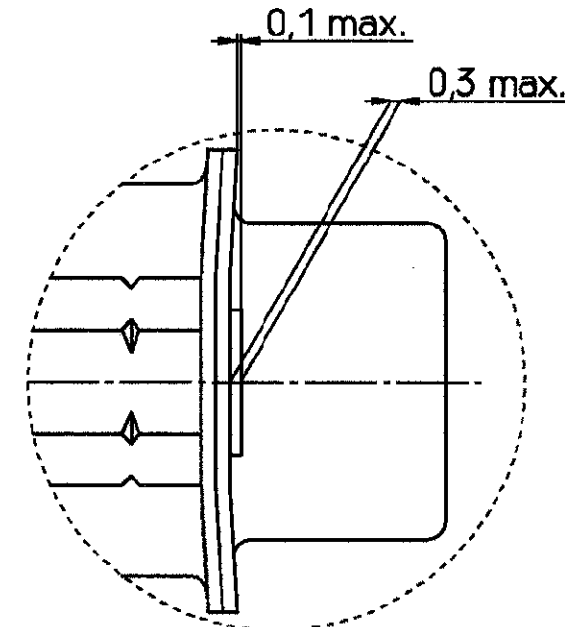
mit Gewinde- und Distanzbolzen:
with screwlock stud bolts and distance bolts: 7)

	Gewindebolzen screwlock stud bolts	Distanzbolzen distance bolts
V42254-A2130-B***	M3	M3
V42254-A2131-B***	4-40 UNC	M3
V42254-A2132-B***	M3	M3
V42254-A2133-B***	4-40 UNC	M3

Verdrehsicherheit ≥ 80 Ncm
torque retention ≥ 80 Ncm



Einzelheit A (5:1)
detail A



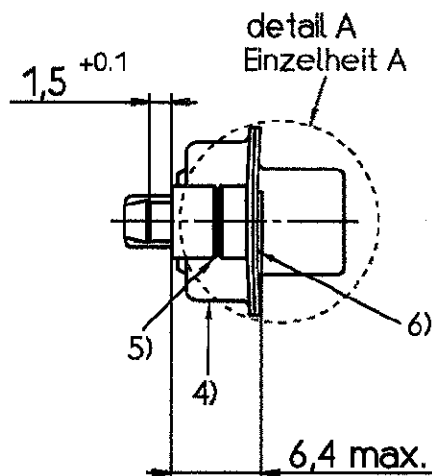
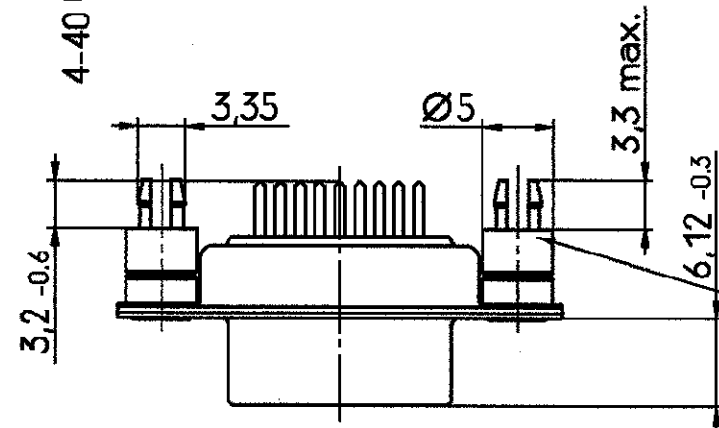
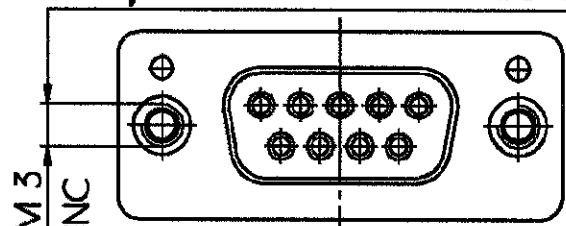
Erläuterungen: Seite 1
dargestellt wird die 9-polige Ausführung
remarks: see page 1
drawn is the 9-contacts version

		TYCO ELECTRONICS CORPORATION OOSTKAMP - BELGIUM	DIMENSIONS IN MM	SCALE 2:1 WEIGHT
DATE 01.03.90 NAME Embo DEP. PE Com PE&SE		MATERIAL		PART NAME Sub-D Loetstiften gerade Buchsenteiste D-Sub straight soldering pins female connector
TOLERANCE UNLESS SPECIFIED OTHERWISE		PART NO. V42254-A2***-B***-*-27		SHT. 5+
D SEE SHEET 1	Customer Drawing Nr. C 7-1393483-1			
REV. CHANGE ORDER	DATE	APP.	OF 8	

mit Distanzbolzen und Clip :
with distance bolts and grounding socket: 7)

M3 : V42254-A2140-B*** 4-40 UNC : V42254-A2141-B***
V42254-A2142-B***

Verdrehsicherheit ≥ 20 Ncm
torque retention ≥ 20 Ncm

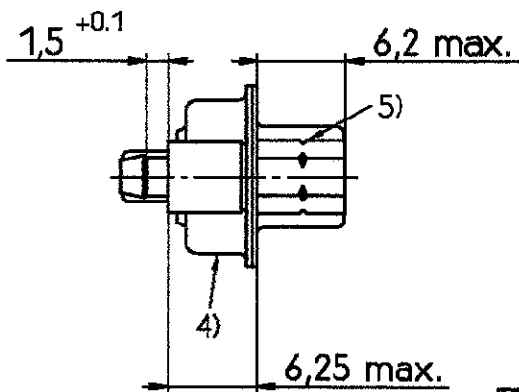
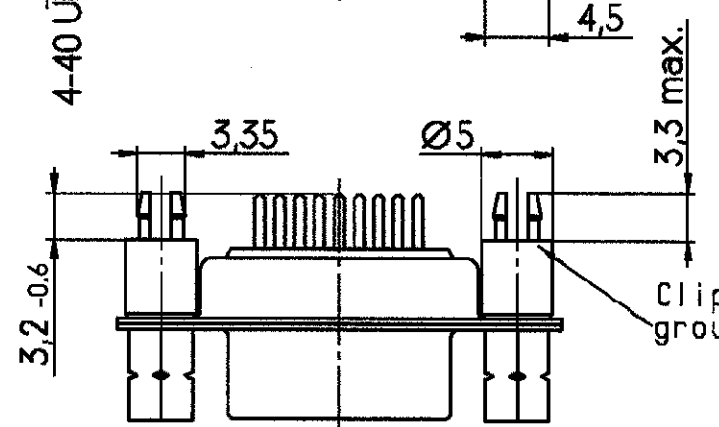
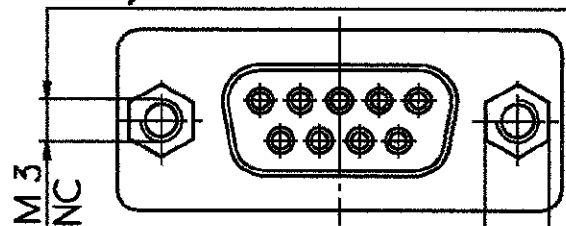


Clip für :
grounding socket for:
- Loch: $\varnothing 3,2^{+0.1}$
hole:
- LP-Dicke: PCB thickness: $1,5^{+0.1}$

mit Gewinde- und Distanzbolzen mit Clip :
with screwlock stud bolts and distance bolts and grounding socket: 7)

M3 : V42254-A2150-B*** 4-40 UNC : V42254-A2151-B***
V42254-A2152-B*** V42254-A2153-B***

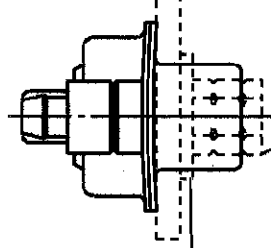
Verdrehsicherheit ≥ 80 Ncm
torque retention ≥ 80 Ncm



Clip für :
grounding socket for:
- Loch: $\varnothing 3,2^{+0.1}$
hole:
- LP-Dicke: PCB thickness: $1,5^{+0.1}$

Montageart
mounting type

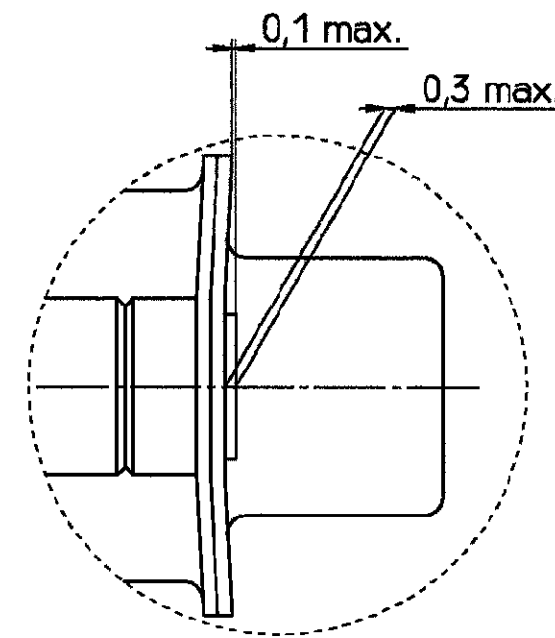
Wanddicke 0.8 bis 1,6 mm
wall thickness from 0,8 to 1,6 mm



Sechskantbolzen V42254-A171-V2 oder
V42254-A172-V2
verwenden
use hexagonal bolts V42254-A171-V2
or V42254-A172-V2

Falls notwendig Distanzscheiben
verwenden
if necessary, use washer(s)

Einzelheit A (5:1)
detail A



Erläuterungen: Seite 1
dargestellt wird die 9-polige Ausführung
remarks: see page 1
drawn is the 9-contacts version

		TYCO ELECTRONICS CORPORATION OOSTKAMP - BELGIUM		DIMENSIONS IN MM		SCALE 2:1		WEIGHT	
DATE 01.03.90 NAME Embo DEP. PE Com PE&SE		MATERIAL		PART NAME Sub-D Loetstiften gerade Buchsenteiste D-Sub straight soldering pins female connector		PART NO. V42254-A2***-B***-27		SHT. 6+	
TOLERANCE UNLESS SPECIFIED OTHERWISE		SEE SHEET 1		Customer Drawing Nr. C 7-1393483-1		OF 8		REV. CHANGE ORDER DATE APP.	

SUBSIDIARIES AND AFFILIATES. IT MAY NOT BE DISCLOSED TO ANYONE, OTHER THAN TYCO ELECTRONICS PERSONNEL,
 WITHOUT WRITTEN AUTHORIZATION FROM TYCO ELECTRONICS CORPORATION, HARRISBURG PENNSYLVANIA USA

V 4 2 2 5 4 - A 2 * * * - B * * *

Anschlußauführung // connection type	
1	Lötstiftlänge 3.2mm // soldering pin length 3.2mm
2	Lötstiftlänge 3.2mm mit Messelstiftan 1) // soldering pin length 3.2mm with grounding soldering pins
3	Lötstiftlänge 5.55mm // soldering pin length 5.55mm
4	Lötstiftlänge 1.55mm 1) // soldering pin length 1.55mm 1)
5	Lötstiftlänge 14.05mm 1) // soldering pin length 14.05mm 1)
6	Lötstiftlänge 5.55mm mit Messelstiftan 1) // soldering pin length 5.55mm with grounding soldering pins 1)

Steckerart // connector type	
B	Buchsenleiste // female connector

Kontaktbarfläche / Kontaktart // contact surface / contact type	
1	Anforderungsstufe 1 / gerollte Kontakte // performance level I / rolled contacts
2	Anforderungsstufe 2 / gerollte Kontakte // performance level II / rolled contacts

Polzahl // No. of contacts	
09	9-polig // 9-contacts
15	15-polig // 15-contacts
25	25-polig // 25-contacts
37	37-polig // 37-contacts
50	50-polig // 50-contacts

Steckverbinderunterschaidung // connector hardware

1*

Standardausführung + Ausführung mit Gewindeinsatz oder Gewindebolzen standard version + version with thread insert or screwlock stud bolts			
	mit TE-Beschriftung auf Blechteil with TE-marking on the shell	mit Stripnutter with thread insert	mit Gewindebolzen with screwlock stud bolts
12	ja // yes	4-40UNC	nein // no
14	ja // yes	M3	nein // no
15	ja // yes	nein // no	nein // no
16	ja // yes	nein // no	4-40UNC
17	nein // no	nein // no	nein // no
18	nein // no	nein // no	4-40UNC
19	ja // yes	nein // no	M3

2*

Ausführung mit Distanzbolzen version with distance bolts		
	Distanzbolzen distance bolts	mit TE-Beschriftung auf Blechteil with TE-marking on the shell
20	M3	ja // yes
22	M3	nein // no

3*

Ausführung mit Gewindebolzen und Distanzbolzen version with screwlock stud bolts and distance bolts			
	mit Gewindebolzen with screwlock stud bolts	mit Distanzbolzen with distance bolts	mit TE-Beschriftung auf Blechteil with TE-marking on the shell
30	M3	M3	ja // yes
31	4-40UNC	M3	ja // yes
32	M3	M3	nein // no
33	4-40UNC	M3	nein // no

4*

Ausführung mit Distanzbolzen mit Clip version with distance bolts and grounding socket		
	mit Distanzbolzen with distance bolts	mit TE-Beschriftung auf Blechteil with TE-marking on the shell
40	M3 + Clip grounding socket	ja // yes
41	4-40UNC + Clip grounding socket	ja // yes
42	M3 + Clip grounding socket	nein // no

5*

Ausführung mit Gewindebolzen und Distanzbolzen mit Clip version with screwlock stud bolts and distance bolts and grounding socket			
	mit Gewindebolzen with screwlock stud bolts	mit Distanzbolzen with distance bolts	mit TE-Beschriftung auf Blechteil with TE-marking on the shell
50	M3	Clip grounding socket	ja // yes
51	4-40UNC	Clip grounding socket	ja // yes
52	M3	Clip grounding socket	nein // no
53	4-40UNC	Clip grounding socket	nein // no

THIS INFORMATION IS CONFIDENTIAL AND PROPRIETARY TO TYCO ELECTRONICS CORPORATION AND ITS WORLDWIDE SUBSIDIARIES AND AFFILIATES. IT MAY NOT BE DISCLOSED TO ANYONE, OTHER THAN TYCO ELECTRONICS PERSONEL, WITHOUT WRITTEN AUTHORIZATION FROM TYCO ELECTRONICS CORPORATION, HARRISBURG PENNSYLVANIA USA.

1) nicht für 50-polig
 2) nur für Lötstiftlänge 3.2mm
 1) not for 50-contacts version
 2) not for soldering pin length 3.2mm

		TYCO ELECTRONICS CORPORATION OOSTKAMP - BELGIUM		SCALE MATERIAL	WEIGHT
DATE 01.03.90 NAME Embo APP. EC CS CIPD		DIMENSIONS IN MM LCC GW		PART NAME Sub-D Lötstiften gerade Buchsenleiste D-Sub straight soldering pins female connector	
TOLERANCE UNLESS SPECIFIED OTHERWISE		PART NO. V42254-A2***-B***-27		6-7+ 7+	
D SEE SHEET 1		Customer Drawing Nr. C7-1393483-1		OF 8	

SUBSIDIARIES AND AFFILIATES. IT MAY NOT BE DISCLOSED TO ANYONE, OTHER THAN TYCO ELECTRONICS PERSONNEL, WITHOUT WRITTEN AUTHORIZATION FROM TYCO ELECTRONICS CORPORATION, HARRISBURG PENNSYLVANIA USA

TE PARTNUMBER	OLD PARTNUMER (Description)	
1-1393484-0	V42254A2140B125	OBSOLETE
1-1393484-1	V42254A2140B137	OBSOLETE
1-1393484-2	V42254A2140B209	OBSOLETE
1-1393484-5	V42254A2141B209	
1-1393484-6	V42254A2141B215	OBSOLETE
1-1393484-7	V42254A2141B225	OBSOLETE
1-1393484-8	V42254A2141B237	OBSOLETE
1-1393740-3	V42254A2115B250	
1-1393740-7	V42254A2212B209	
1-1393740-8	V42254A2212B215	
1-1393740-9	V42254A2212B225	
1-1393484-3	V42254A2116B209	OBSOLETE
1393484-4	V42254A2116B225	OBSOLETE
1-1393484-5	V42254A2116B237	OBSOLETE
1393484-8	V42254A2140B109	OBSOLETE
1393484-9	V42254A2140B115	OBSOLETE
1393741-1	V42254A2812B215	OBSOLETE
1393741-3	V42254A2816B109	OBSOLETE
1393741-4	V42254A2816B115	OBSOLETE
1393741-5	V42254A2819B209	OBSOLETE
1393741-6	V42254A2819B225	OBSOLETE
1485839-1	V42254A21XXB209	
1485839-2	V42254A21XXB215	
1485839-3	V42254A21XXB215P	
1485839-4	V42254A21XXB225	
1485839-5	V42254A21XXB225P	
1485839-6	V42254A21XXB237	
1857904-3	25p Sub-D PCB Rec 4-40 UNC Scr.Lck+Clip	
2-1393484-2	V42254A2151B209	OBSOLETE
2-1393484-3	V42254A2151B215	OBSOLETE
2-1393484-4	V42254A2151B225	
2-1393740-8	V42254A2214B209	
2-1393740-6	V42254A2214B215	OBSOLETE
3-1393484-1	V42254A2315B109	OBSOLETE
3-1393484-2	V42254A2315B115	OBSOLETE
3-1393484-3	V42254A2315B209	
3-1393484-4	V42254A2315B215	
3-1393484-5	V42254A2315B225	OBSOLETE
3-1393484-6	V42254A2315B237	
3-1393740-0	V42254A2214B225	
3-1393740-1	V42254A2214B237	OBSOLETE
4-1393740-4	V42254A2215B209	
4-1393740-5	V42254A2215B215	

TE PARTNUMBER	OLD PARTNUMER (Description)	
4-1393740-6	V42254A2215B225	OBSOLETE
4-1393740-7	V42254A2215B237	
6-1393740-6	V42254A2216B109	OBSOLETE
6-1393740-7	V42254A2216B115	OBSOLETE
6-1393740-8	V42254A2216B125	OBSOLETE
6-1393740-9	V42254A2216B137	OBSOLETE
7-1393483-1	SUB D FEDERLEISTE	OBSOLETE
7-1393483-2	V42254A2112B225	OBSOLETE
7-1393483-5	SUB D FEDERLEISTE	OBSOLETE
7-1393483-6	V42254A2114B215	OBSOLETE
7-1393740-0	V42254A2216B209	
7-1393740-1	V42254A2216B215	
7-1393740-2	V42254A2216B225	
7-1393740-3	V42254A2216B237	
8-1393483-6	V42254A2115B125	
8-1393483-7	V42254A2115B209	
8-1393483-8	V42254A2115B215	
8-1393483-9	V42254A2115B225	
8-1393740-7	SUB D FEDERLEISTE	OBSOLETE
8-1393740-8	SUB D FEDERLEISTE	OBSOLETE
8-1393740-9	SUB D FEDERLEISTE	OBSOLETE
9-1393483-0	V42254A2115B237	
9-1393740-0	V42254A2219B209	 OBSOLETE
9-1393740-1	V42254A2219B215	
9-1393740-2	V42254A2219B225	
9-1393740-3	V42254A2219B237	
9-1393740-8	V42254A2315B250	

		TYCO ELECTRONICS CORPORATION				SCALE 2:1	WEIGHT
		OOSTKAMP - BELGIUM		DIMENSIONS IN MM		MATERIAL	
		DATE 01.03.90		PART NAME		Sub-D Loetstiften gerade	
		NAME Embo		PART NO.		V42254-A2***-B***-*27	
		DEP. PE Com PE&SE		TOLERANCE UNLESS SPECIFIED OTHERWISE		SHT. 8+	
D SEE SHEET 1		Customer Drawing Nr. C 7-1393483-1				OF 8	
REV.	CHANGE ORDER	DATE	APP.				