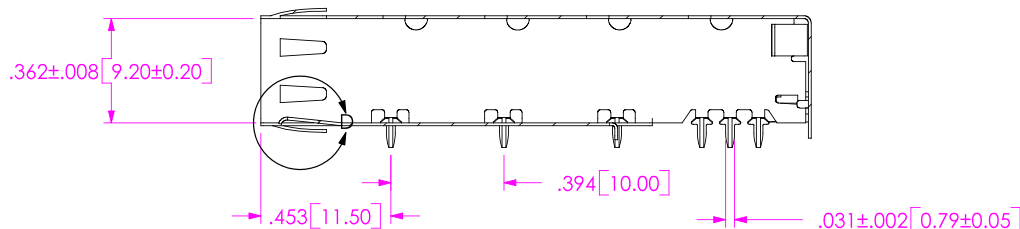
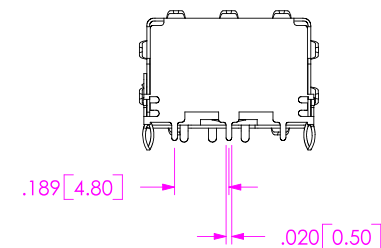
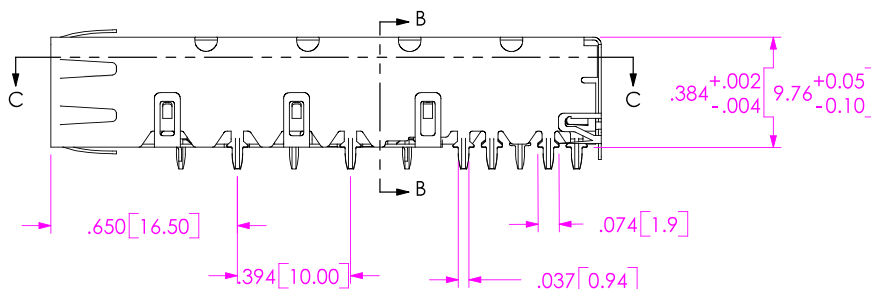
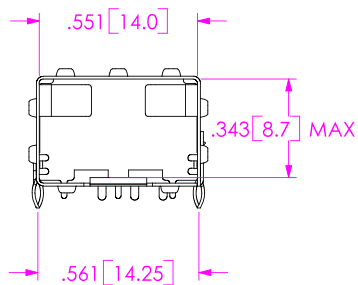
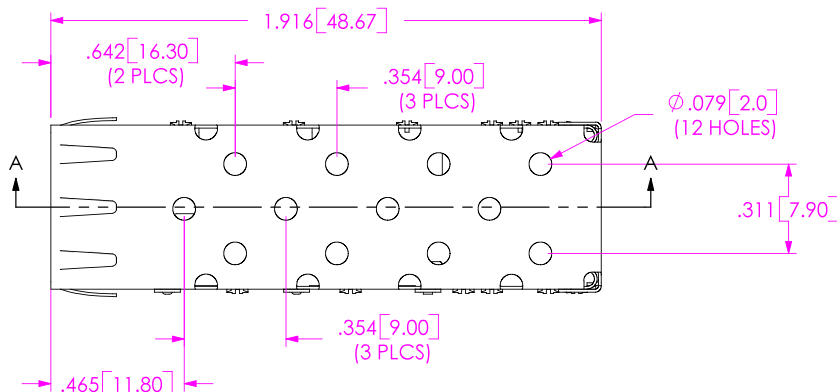
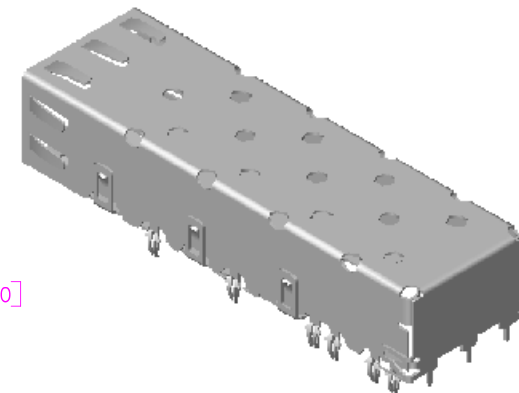


- NOTES:
 1. CAGES COMPLIES WITH SFP MSA STANDARDS.
 2. Ⓢ REPRESENTS A CRITICAL DIMENSION.
 3. BOWING OF BOTTOM SURFACE MAY NOT EXCEED .010

DO NOT SCALE FROM THIS PRINT



SECTION A-A

ACCEPTANCE OF DRAWING
 ACCEPTED WITH DEVIATIONS LISTED

DATE: _____
 COMPANY: _____
 CUSTOMER SIGNATURE: _____
 PRINTED NAME: _____
 PHONE No.: _____
 FAX No.: _____

UNLESS OTHERWISE SPECIFIED,
 DIMENSIONS ARE IN INCHES.
 TOLERANCES ARE:
 DECIMALS ANGLES
 .XX: ±.01 [.3] 2°
 .XXX: ±.005 [.13]
 .XXXX: ±.0020 [.051]

PROPRIETARY NOTE
 THIS DOCUMENT CONTAINS INFORMATION
 CONFIDENTIAL AND PROPRIETARY TO
 SAMTEC, INC. AND SHALL NOT BE REPRODUCED
 OR TRANSFERRED TO OTHER DOCUMENTS OR
 DISCLOSED TO OTHERS OR USED FOR ANY
 PURPOSE OTHER THAN THAT WHICH IT WAS
 OBTAINED WITHOUT THE EXPRESSED WRITTEN
 CONSENT OF SAMTEC, INC.

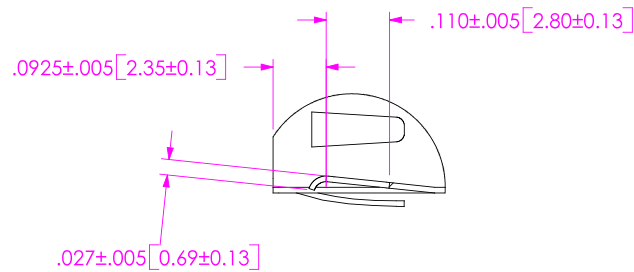
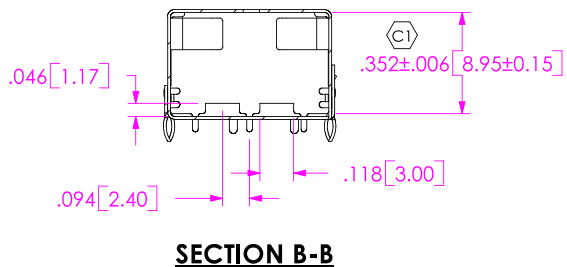
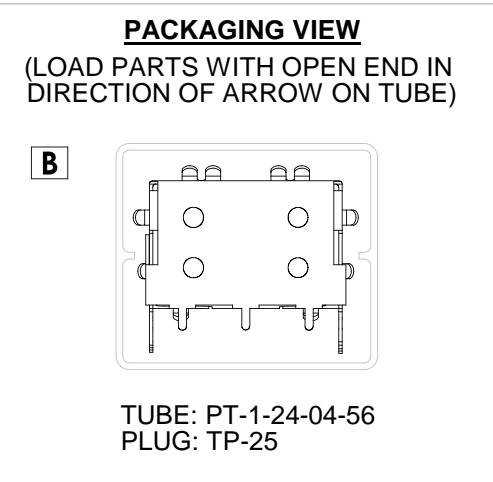
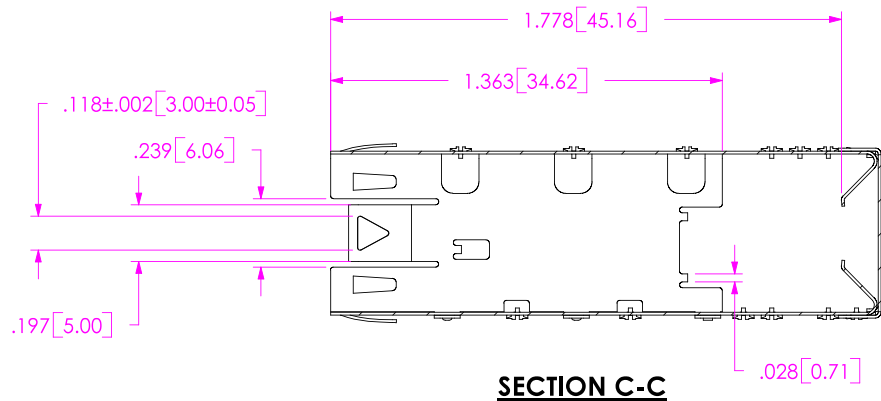
SAMTEC

520 PARK EAST BLVD, NEW ALBANY, IN 47150
 PHONE: 812.944.6733 FAX: 812.948.5047
 e-Mail: INFO@SAMTEC.COM CODE: 55322

DO NOT SCALE DRAWING SHEET SCALE: 1.5:1
 MATERIAL:
 301 HALF HARD SST
 THICKNESS: .010 [.254] ±.0005
 F:\DWG\MISC\MKTG\SFPC-PF-MKT.SLDDRW

DESCRIPTION: SFPC-PF CAGE
 DWG. NO. SFPC-PF
 BY: CLAY W 7/21/2003 SHEET 1 OF 2





<p>PROPRIETARY NOTE THIS DOCUMENT CONTAINS INFORMATION CONFIDENTIAL AND PROPRIETARY TO SAMTEC, INC. AND SHALL NOT BE REPRODUCED OR TRANSFERRED TO OTHER DOCUMENTS OR DISCLOSED TO OTHERS OR USED FOR ANY PURPOSE OTHER THAN THAT WHICH IT WAS OBTAINED WITHOUT THE EXPRESSED WRITTEN CONSENT OF SAMTEC, INC.</p> <p>DO NOT SCALE DRAWING</p> <p>SHEET SCALE: 1.5:1</p>	<p>SAMTEC</p> <p>520 PARK EAST BLVD, NEW ALBANY, IN 47150 PHONE: 812.944.6733 FAX: 812.948.5047 e-Mail: INFO@SAMTEC.COM CODE: 55322</p>	
	<p>DESCRIPTION: SFPC-PF CAGE</p>	
	<p>DWG. NO. SFPC-PF</p>	
	<p>BY: CLAY W 7/21/2003</p>	<p>SHEET 2 OF 2</p>